


TOV




Follow us!

Show your new purchase some love by tagging it on our Instagram!

 @tovfurniture

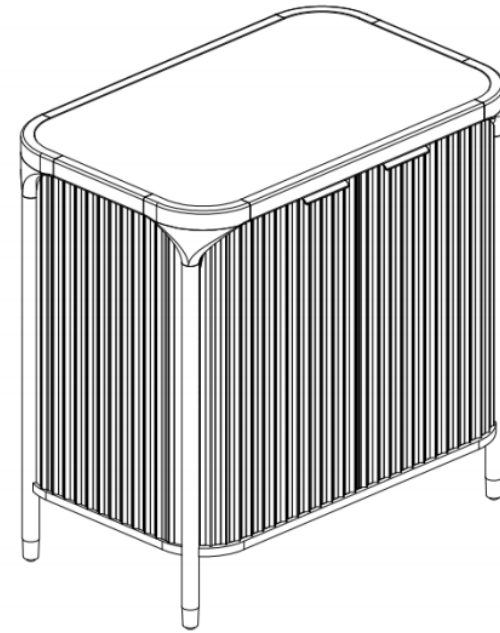
 516-888-3355

 hello@tovfurniture.com

 www.tovfurniture.com

If the future is female—your furniture should be, too. No mahogany in sight. Sexy settees shaped like lips. Price points for any budget. At TOV, we do things differently.

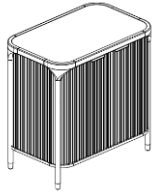
TOV



Yaha Bar Cabinet

DON'T BE BORING.

Hardware and Components



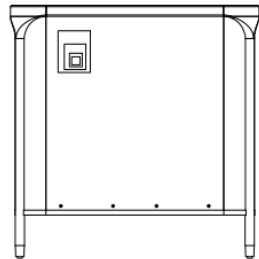
----- **A** x 1pc Cabinet



----- **B** x 2 Anti-Tip Kits (set)

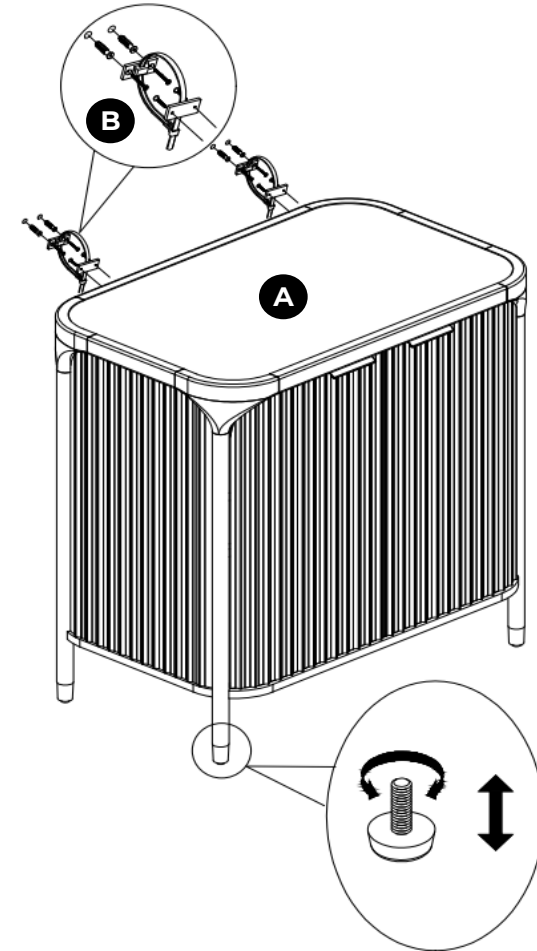
Step 1

The ATK is attached on the back panel of the Cabinet.



A. Install the Anti-Tip Kits (B) to the back of Cabinet (A), and attach it securely to the wall.

B. If necessary, adjust the leveler on the bottom leg until the cabinet or the door are level.



Stuck?

Contact our team @ 516-888-3355

Scan for product care!

