


TOV



Follow us!

Show your new purchase some love by tagging it on our Instagram!

 @tovfurniture

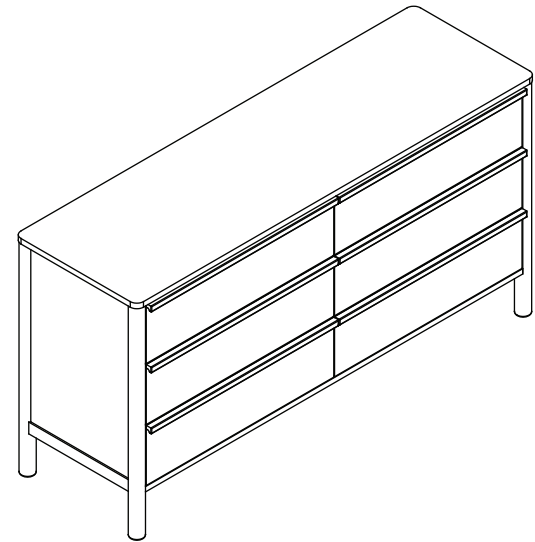
 516-888-3355

 hello@tovfurniture.com

 www.tovfurniture.com

If the future is female—your furniture should be, too. No mahogany in sight. Sexy settees shaped like lips. Price points for any budget. At TOV, we do things differently.

TOV



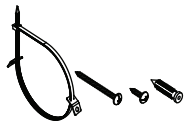
Tyra 6 Drawer Dresser

DON'T BE BORING.

Hardware and Components



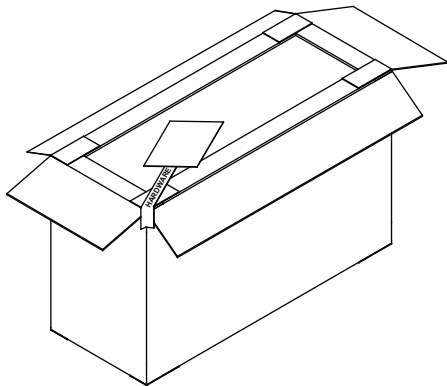
----- **A** x 1pc Dresser



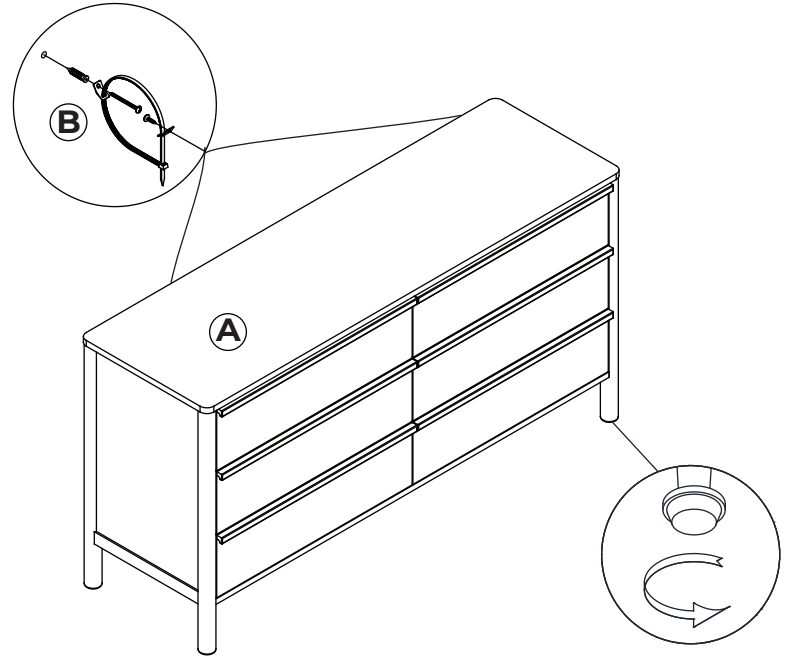
----- **B** x 2pcs Anti-Tip Kits (set)

Step 1

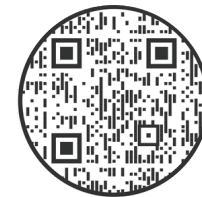
Open the box, the hardware is packed in PE bag with red string attached and loose in the carton. Look for the red streamer.



Step 2



- A.** Attach the Anti Tip Kit (B) to the Dresser (A), and attach it securely to the wall.
- B.** If necessary, adjust the leveler on the bottom leg until the dresser is level.



Stuck?

Contact our team @ 516-888-3355

Scan for product care!