

TULIP ROUND TABLE ASSEMBLY INSTRUCTIONS

HARDWARE



A

x4
M6*30



B

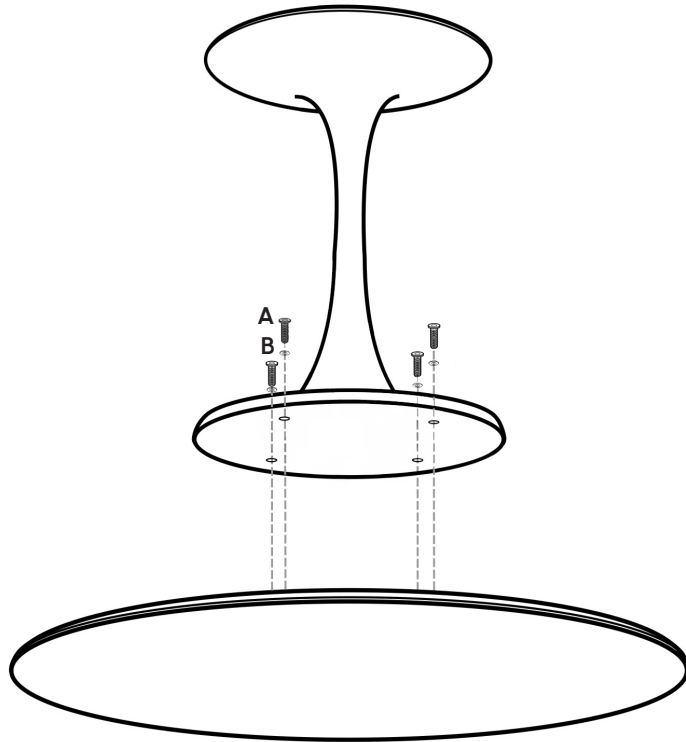
x4
Ø20*4



C

x1
M6

STEP 1



- Put table top upside down on a carpeted or padded area.
- Place table base to table top as shown.
- Insert 4 pieces of (A) with 4 pieces of (B) into the pre-drilled holes on the bottom of the table top through the pre-drilled holes on the table base.
- Use (C) to tighten (A) clockwise until secure.

STEP 2

