


# TOV



## Follow us!

Show your new purchase some love by tagging it on our Instagram!

 @tovfurniture

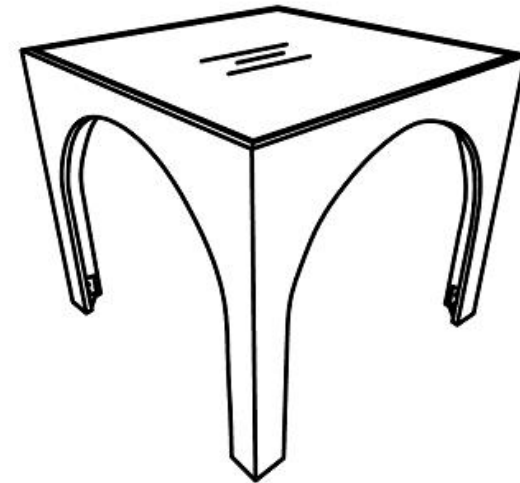
 516-888-3355

 hello@tovfurniture.com

 www.tovfurniture.com

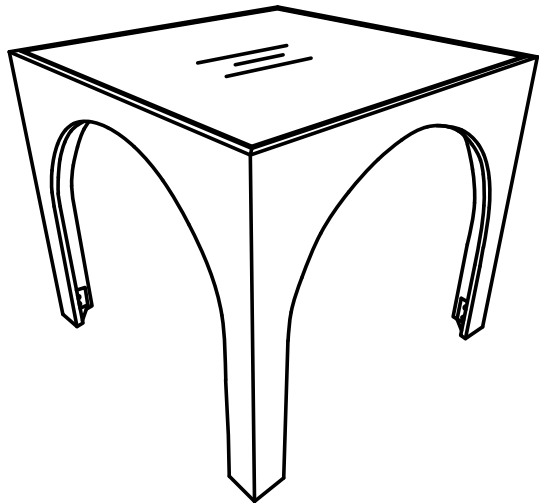
If the future is female—your furniture should be, too. No mahogany in sight. Sexy settees shaped like lips. Price points for any budget. At TOV, we do things differently.

# TOV



## Tomlin Gaming Table

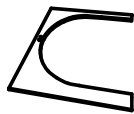







**DON'T BE BORING.**



Stuck?  
Contact our team @ 516-888-3355  
Scan for product care!



## Hardware and Components

	-----	(A) X 4 PCS LEG
	-----	(B) X 1 PC TOP
	-----	(C) X 1 PC GLASS
	-----	(D) X 8 PCS
	-----	(E) X 36 PCS (Ø1/4"x10mm)
	-----	(F) X 1 PC
	-----	(G) X 4 PCS
	-----	(H) X 1 PC

### Step 1

Open box of hardware and legs.

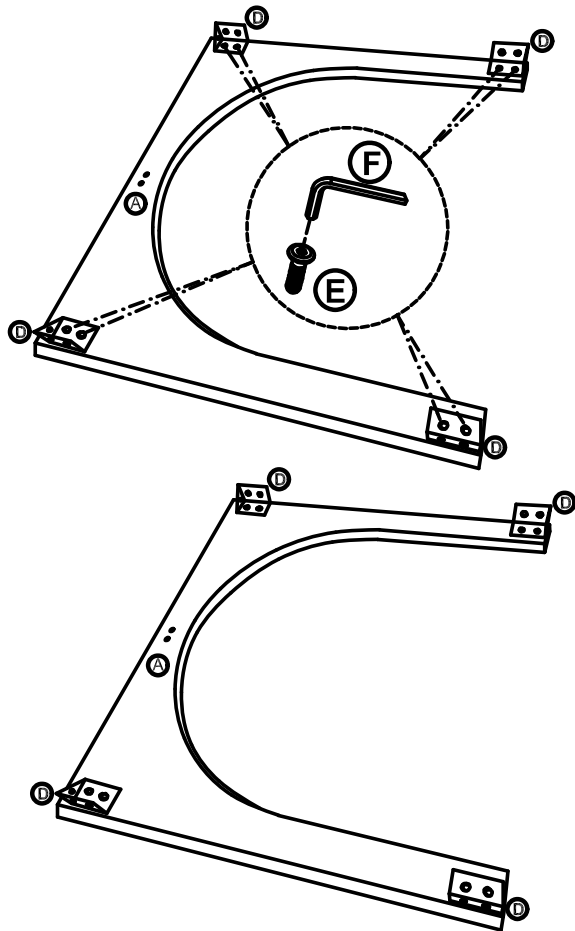
The hardware is packed in small plastic bags inside the hardware box.  
Look for the red streamer.



## Step 2

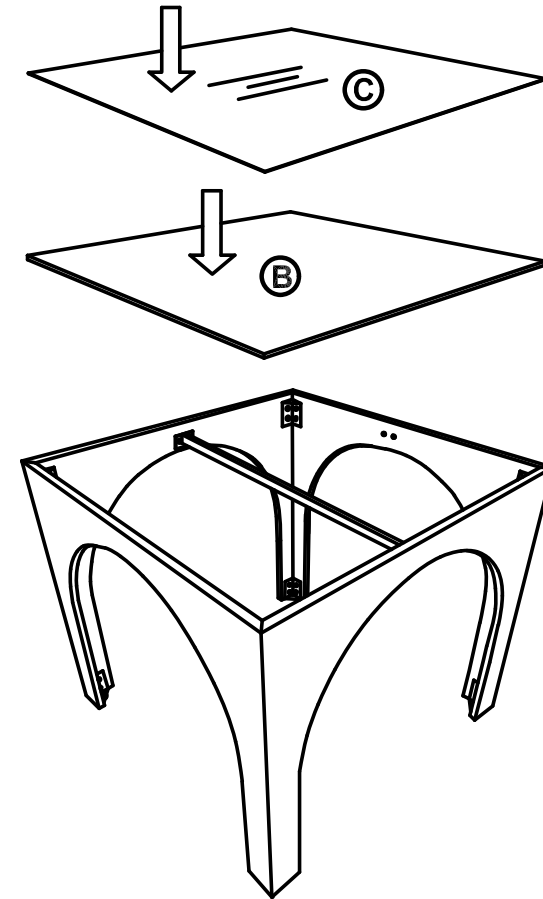
- A. Place 2 Side Legs (A) face upside down on a clean, non-marring surface (i.e. packing foam) as shown below.
- B. Attach 4 pcs of Corner Bracket (D) to 1 Side Leg (A) with Bolt (E) by using Allen Wrench (F).
- C. Repeat 4X, for the other Side Leg.

**Note:** Please do not completely tighten the bolts (E) until the table frame is set up at the end.



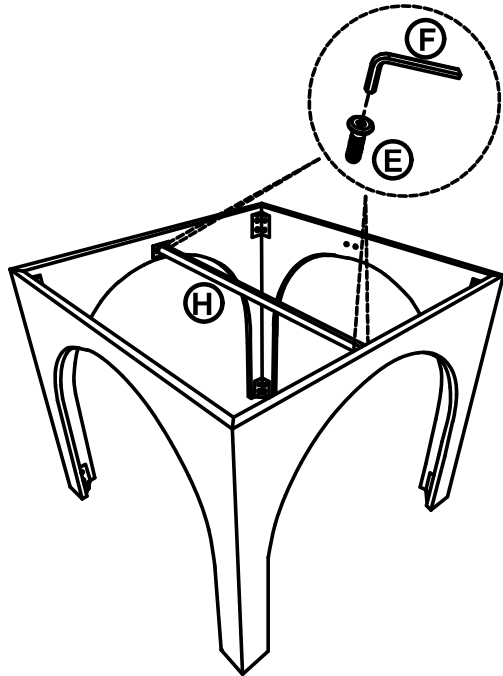
## Step 7

- A. Put down the Top (B) into the Table Frame.
- B. Put down the Glass (C) on top of the Top (B).
- C. Complete.



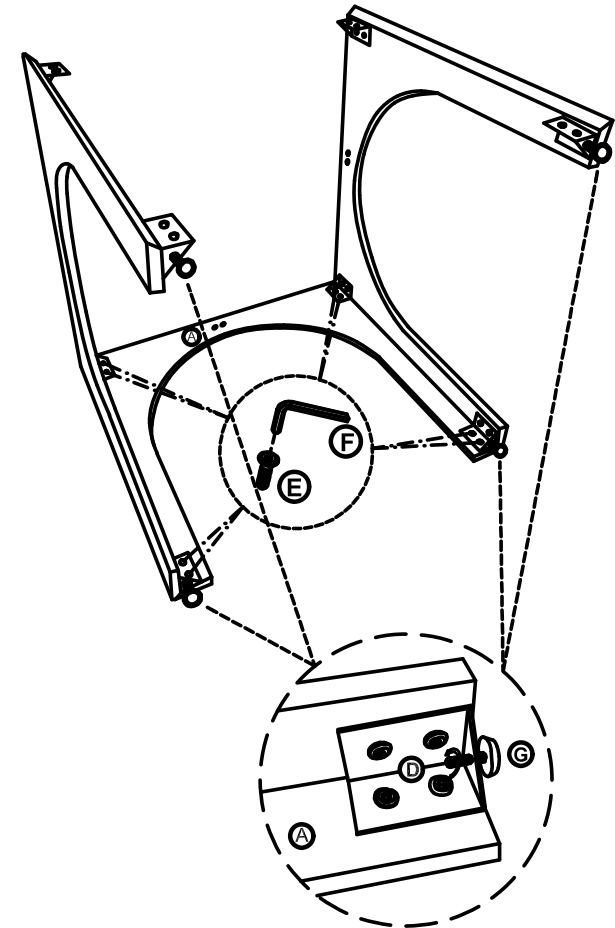
### Step 6

- A. Locate and install the Connector Bar (H) by using Bolt (E) and Wrench (F).
- B. Fully tighten all Bolts (E) by Allen Wrench (F).



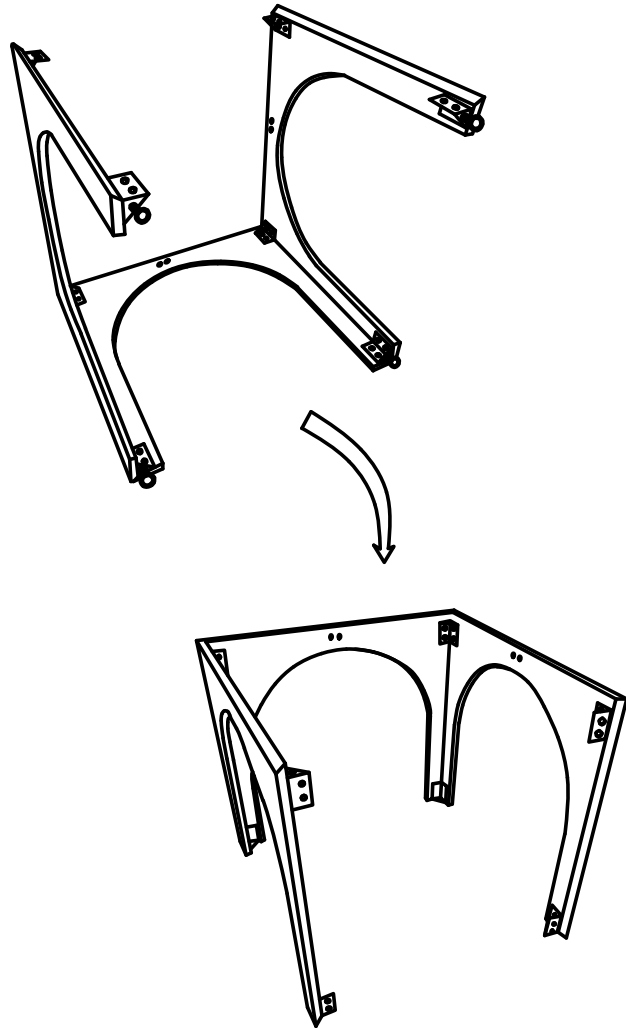
### Step 3

- A. Place another Side Leg (A) face upside down on a clean, non-marring surface (i.e. packing foam) as shown below.
- B. With help, attach 1 Side Leg (A) pre-assembled in Step 2 to this Side Leg (A) on the left side with Bolt (E) by using Allen Wrench (F).
- C. Repeat and attach the other Side Leg (A) pre-assembled in Step 2 to this Side Leg (A) on the right side with Bolt (E) by using Allen Wrench (F).
- D. Attach adjustable feet (G) to the bottom of each leg.



#### Step 4

- A. Turn the U shape table frame up and put it in a standing position on the floor as shown below.



#### Step 5

- A. Attach the last Side Leg (A) to this U shape table frame with Bolt (E) by using Allen Wrench (F).

