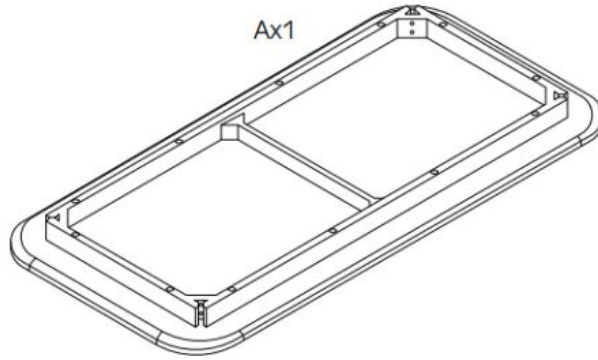
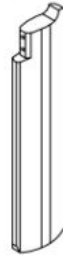


# ASSEMBLY INSTRUCTIONS



Bx4



ax8  
Ø22x1,2mm



bx8  
Ø8



cx8  
M8x100mm



dx1  
M6



ex4



