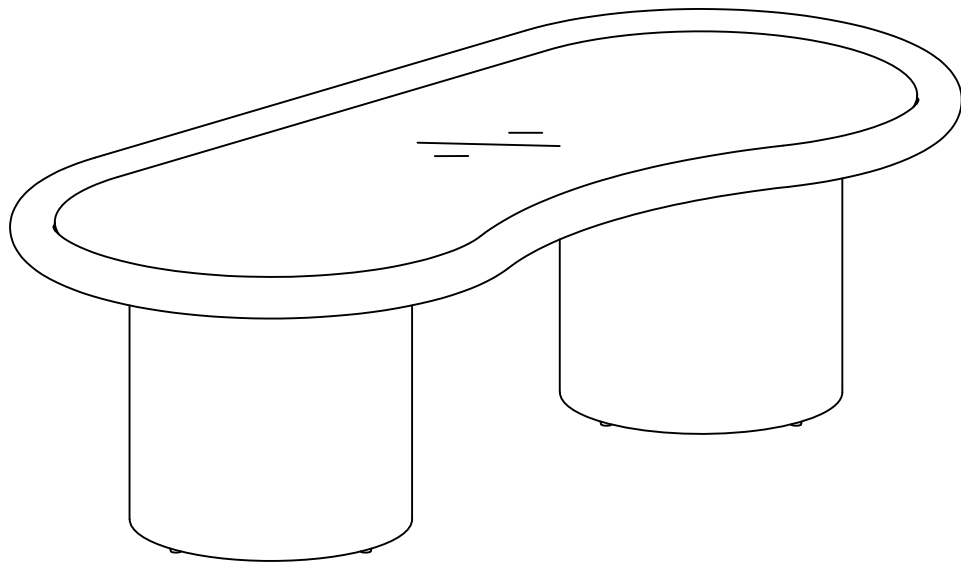


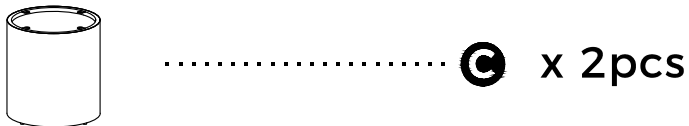
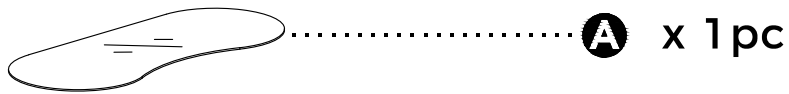
**T O V**



**Sorya Chrome  
Coffee Table**

**DON'T BE BORING.**

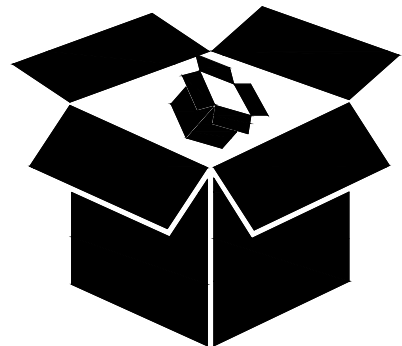
# Hardware and Components



## Step 1

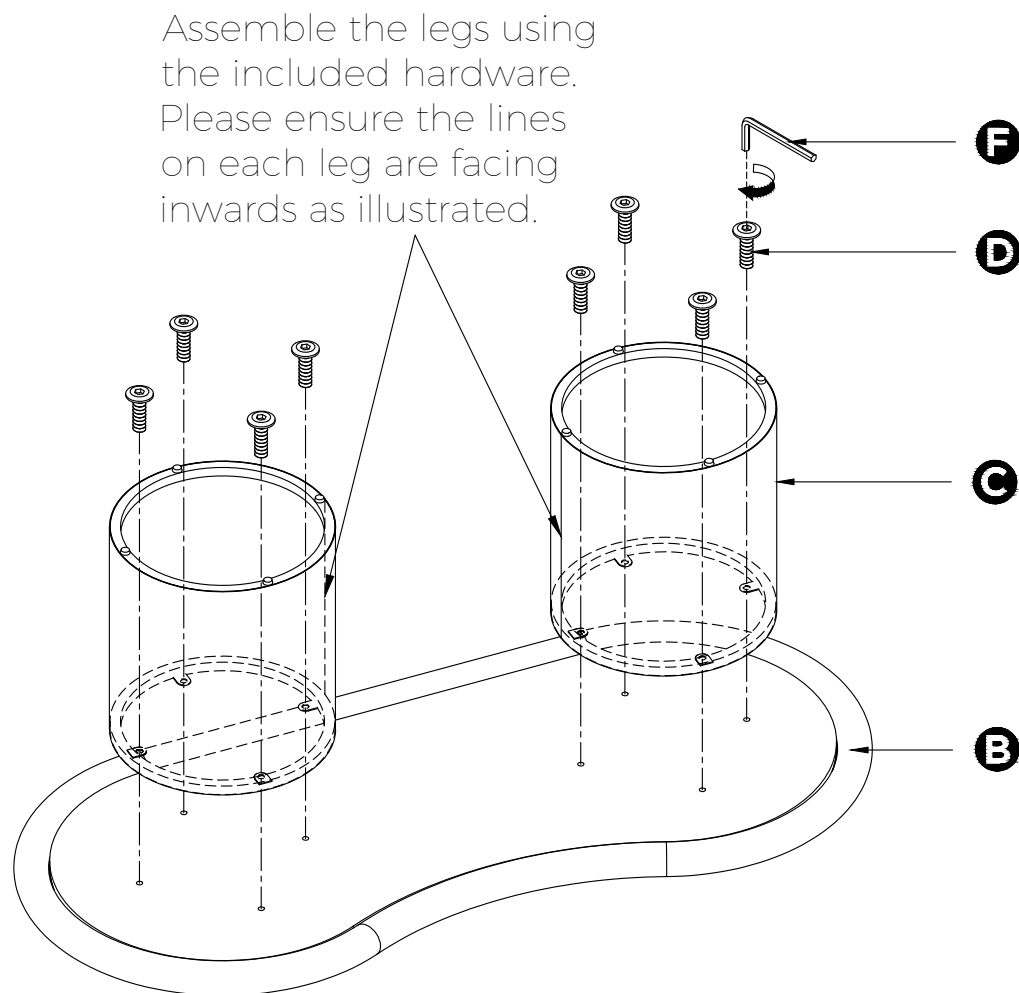
Open and unbox table components.

Look for a hardware bag in the legs box. The hardware package is a small red bag.



## Step 2

- A. Turn table top(B) over.
- B. Attach Leg(C) to table top(B) using bolts(D) .
- C. Repeat 2x, for all legs.
- D. Lightly tighten with Allen Key(F).

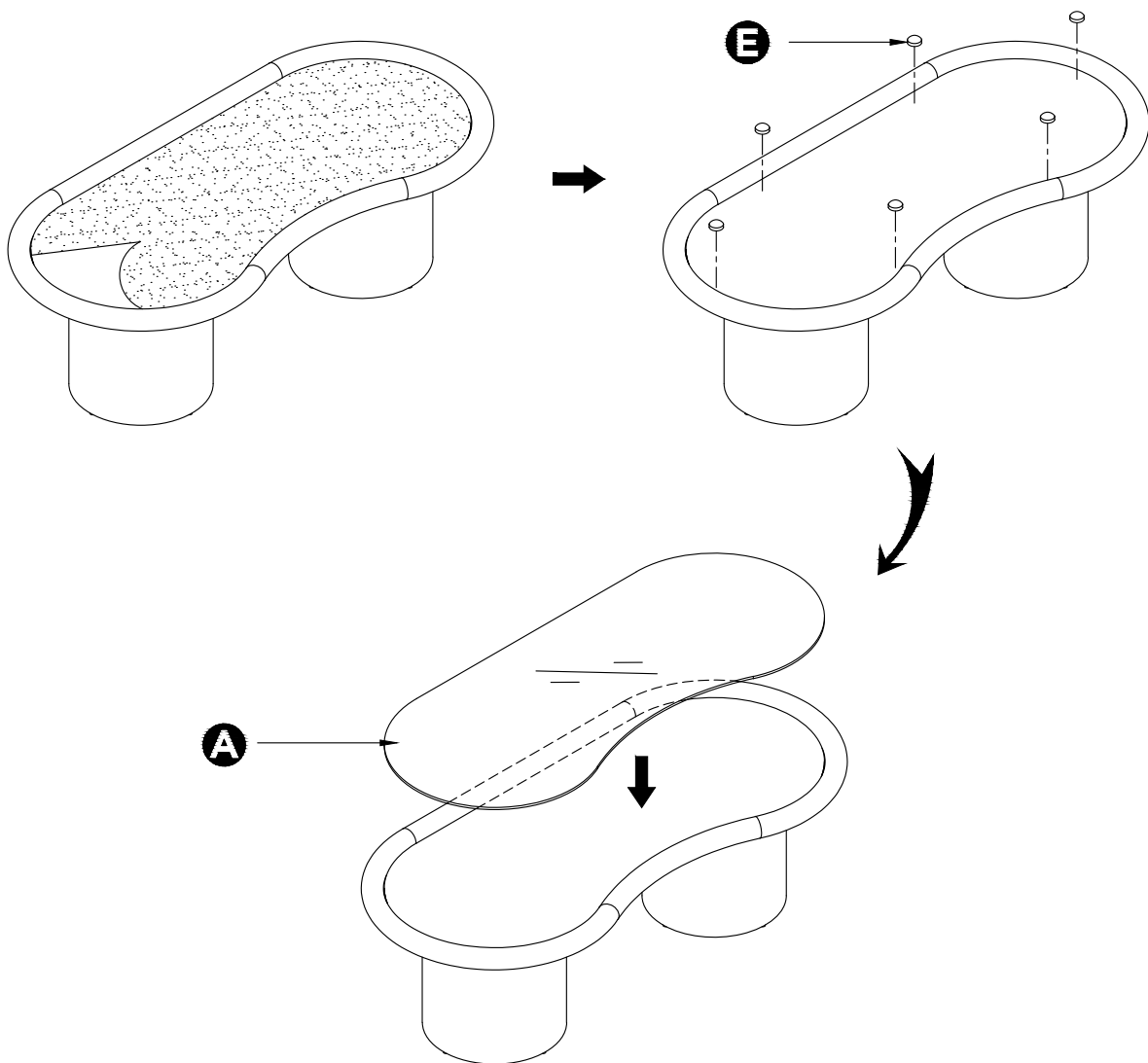


### Step 3

**A.** Remove the protective film from the tabletop.

**B.** Put the clear plastic bumpers (E) on the table.

**C.** Put the glass top (A) onto the table top.



Stuck?  
Contact our team @ 516-888-3355

Scan for product care!




# TOV



## Follow us!

Show your new purchase some love by tagging it on our instagram!

 @tovfurniture

 516-888-3355

 hello@tovfurniture.com

 www.tovfurniture.com

If the future is female-your furniture should be, too. No mahogany in sight. Sexy settees shaped like lips. Price points for any budget. At TOV, we do things differently.