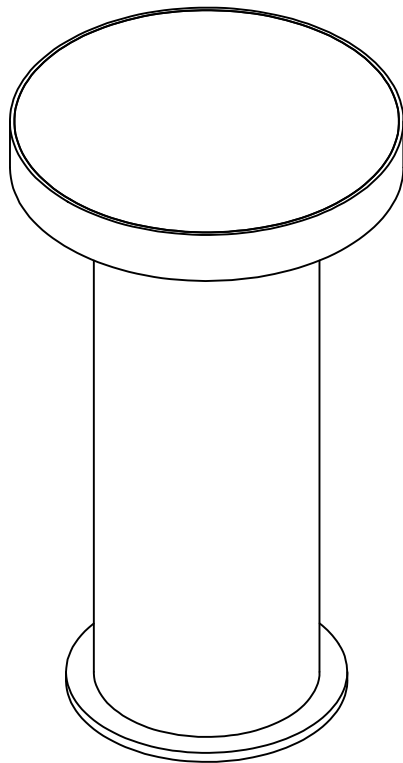


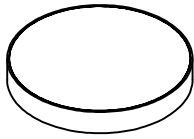
**TOV**



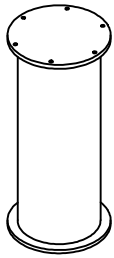
**LYRA SIDE TABLE**

**DON'T BE BORING.**

# Hardware and Components



..... (A) Top x 1 Pc



..... (B) Base x 1 Pc



..... (C) Allen Countersunk Bolt  
6x24mm x 6Pcs



..... (D) Allen Key 4mm x 1Pc

## Step 1

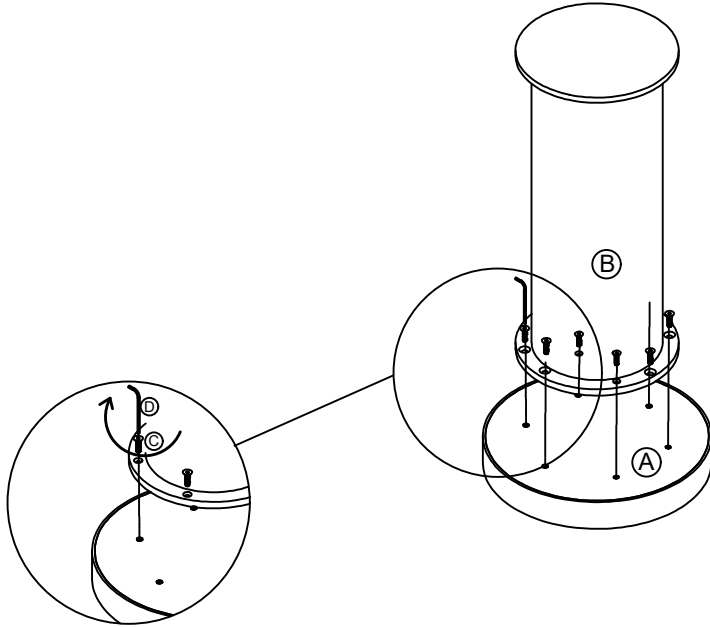
Open box of hardware and legs.

This hardware box will be a smaller box inside of the main box. Look for the red streamer.



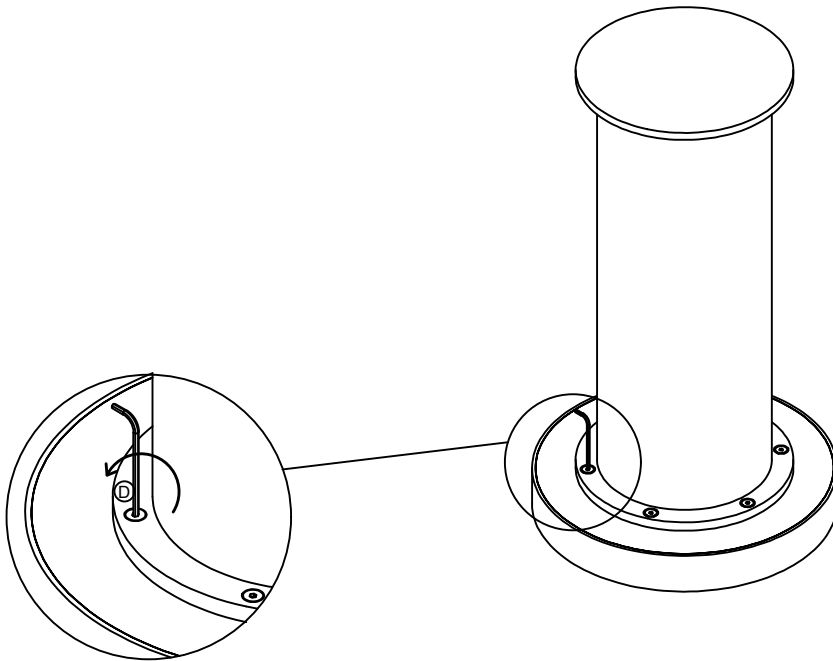
## Step 2

Attach Top (A) to Base (B) using Allen bolts (C) and Allen key (D).



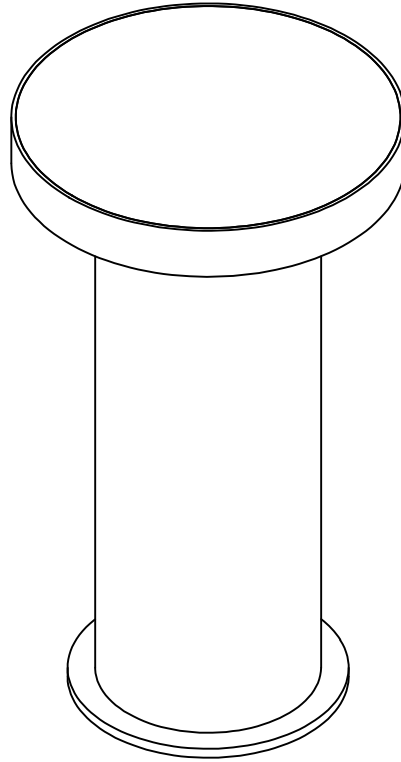
## Step 3

Fully tighten the bolts using the Allen key (D).



## Step 4

Complete!



Stuck?  
Contact our team @ 516-888 -3355

Scan for product care!



# TOV



## Follow us!

Show your new purchase some love by tagging it on our Instagram!

 @tovfurniture

 516-888-3355

 hello@tovfurniture.com

 www.tovfurniture.com

If the future is female—your furniture should be, too. No mahogany in sight. Sexy settees shaped like lips. Price points for any budget. At TOV, we do things differently.