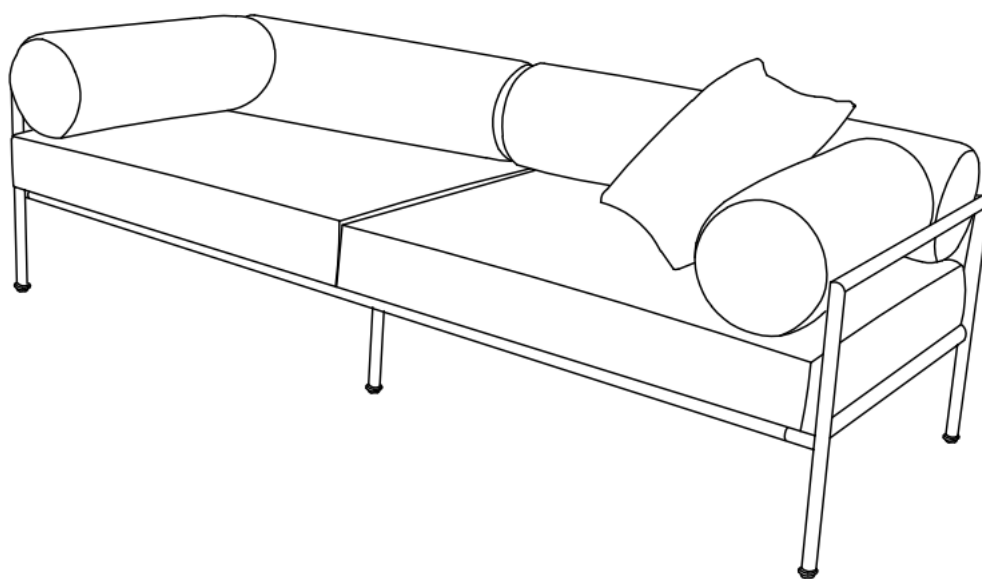


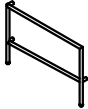
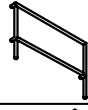

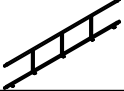

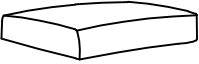
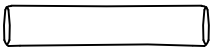


VERA OUTDOOR SOFA

VERA


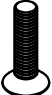
Assembly Instructions



PARTS LIST

LABEL	PICTURE	DESCRIPTION	QTY
A		Left Arm	1
B		Right Arm	1
C		Seat Plate	1
D		Back	1
E		Middle Leg	2
F		Seat cushion	2
G		Back cushion	2
H		Arm cushion	2
I		Pillow	1

HARDWARE

LABEL	PICTURE	DESCRIPTION	QTY
J		Allen key	1
K		Bolt M6*15	19

BEFORE BEGINNING ASSEMBLY:



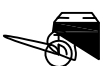
Read instructions cover to cover



Have two adults on hand for assembly



Do NOT assemble on flooring or carpet. Assemble on a clean non-marring surface (ex: packing foam)

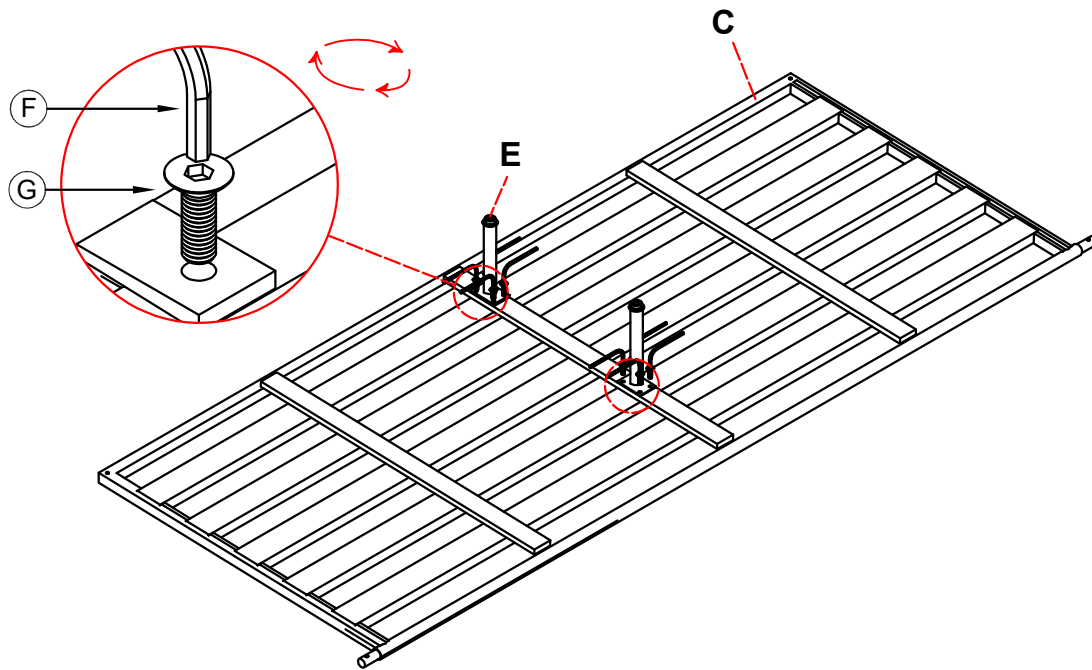


Save all packaging until assembly is completed

Need a part? Call TOV at 516-888-3355 or email service@tovfurniture.com

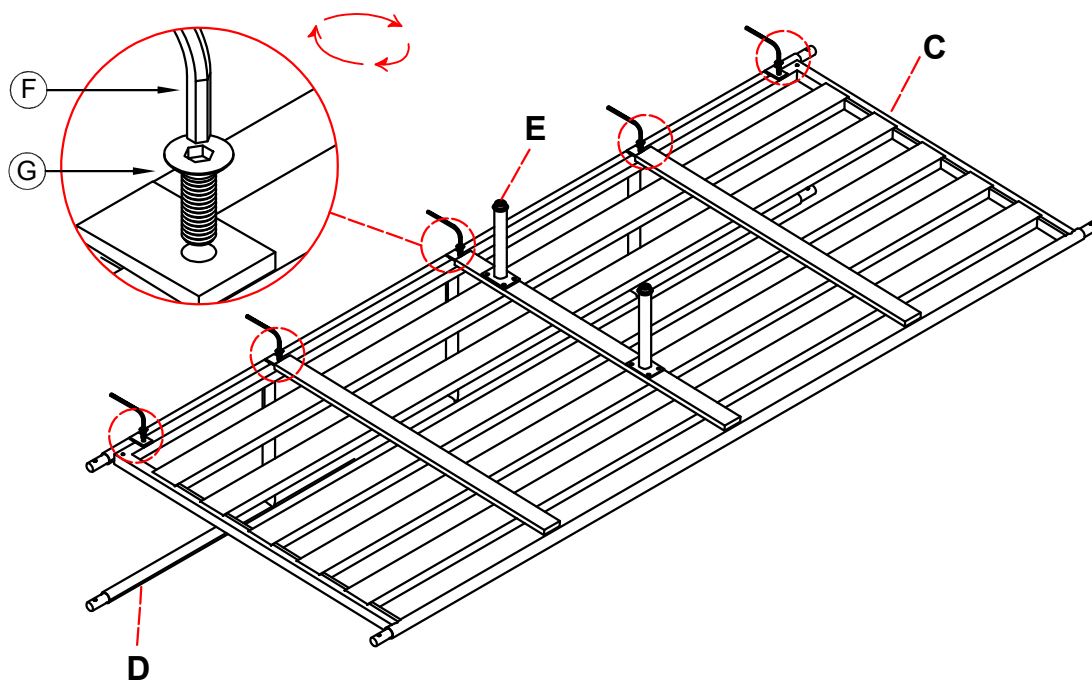
ASSEMBLY STEPS

STEP 1



- > Install the seat plate and leg with bolt(G) and allen key(F)

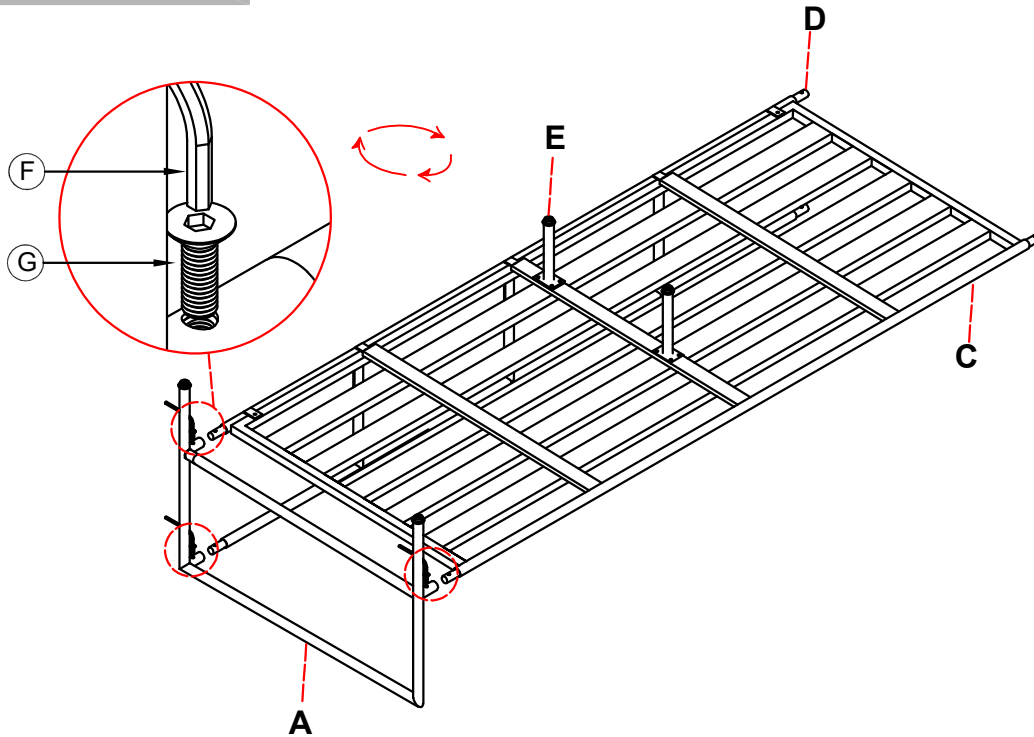
STEP 2



- > Install the seat plate and back with bolt(G) and allen key(F)

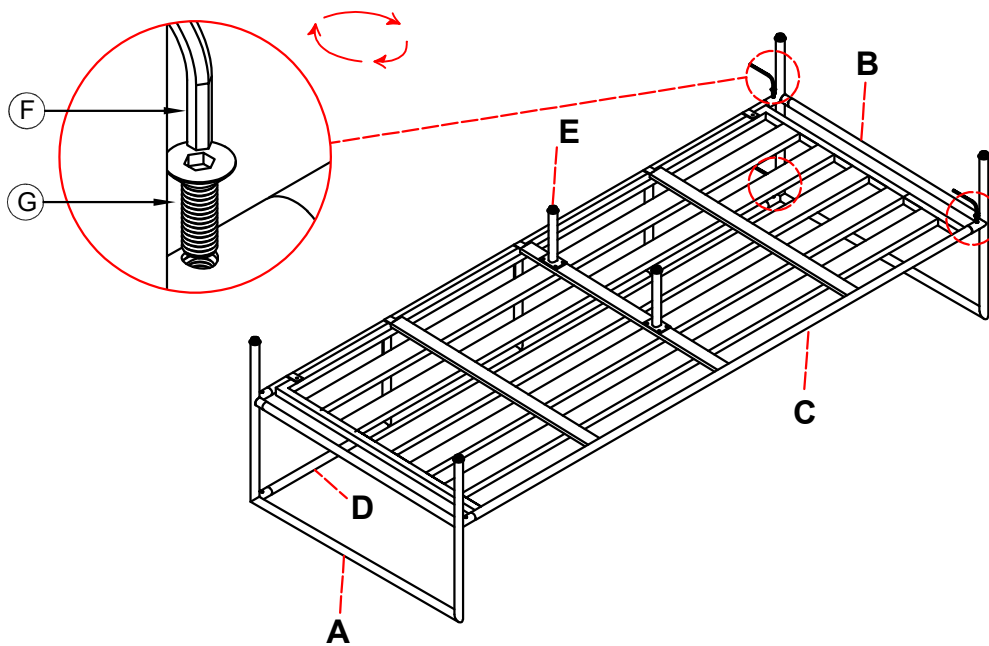
ASSEMBLY STEPS

STEP 3



> Install the seat plate, back and first arm with bolt(G) and allen key(F) .

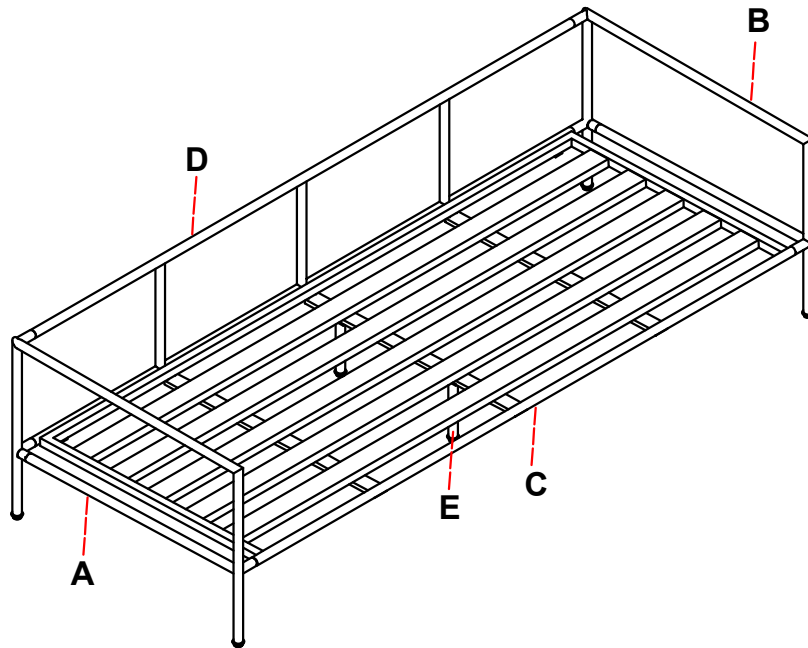
STEP 4



> Install the seat plate, back and second arm with bolt(G) and allen key(F) .

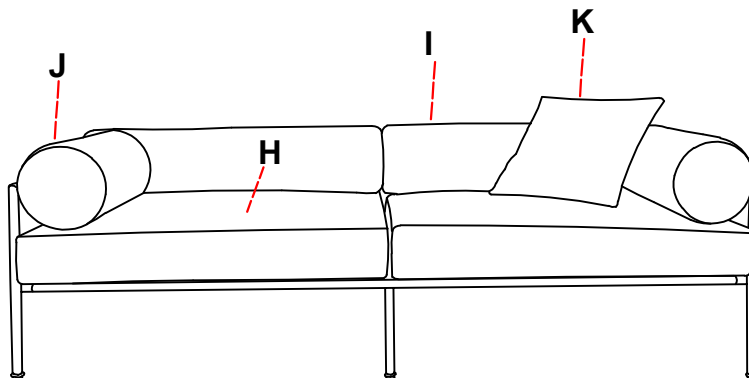
ASSEMBLY STEPS

STEP 5



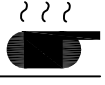
> Turn the sofa over.

STEP 6



> Put the seat cushion, back cushion, arm cushion and pillow on the sofa.

CARE & MAINTENANCE



Do not put hot items directly on furniture surface.



Do not clean furniture with harsh cleansers or polish.



Dust and wipe up spills using a clean, non-colored, lint-free cloth.



Stains may be removed with mild soap solution and a damp cloth.



Do not place furniture under direct sunlight.



Do not place furniture near heating or cooling vents.



Do not write on furniture without a padded barrier to protect the surface.