

TOV



Follow us!

Show your new purchase some love by tagging it on our Instagram !



@tovfurniture



516-888-3355



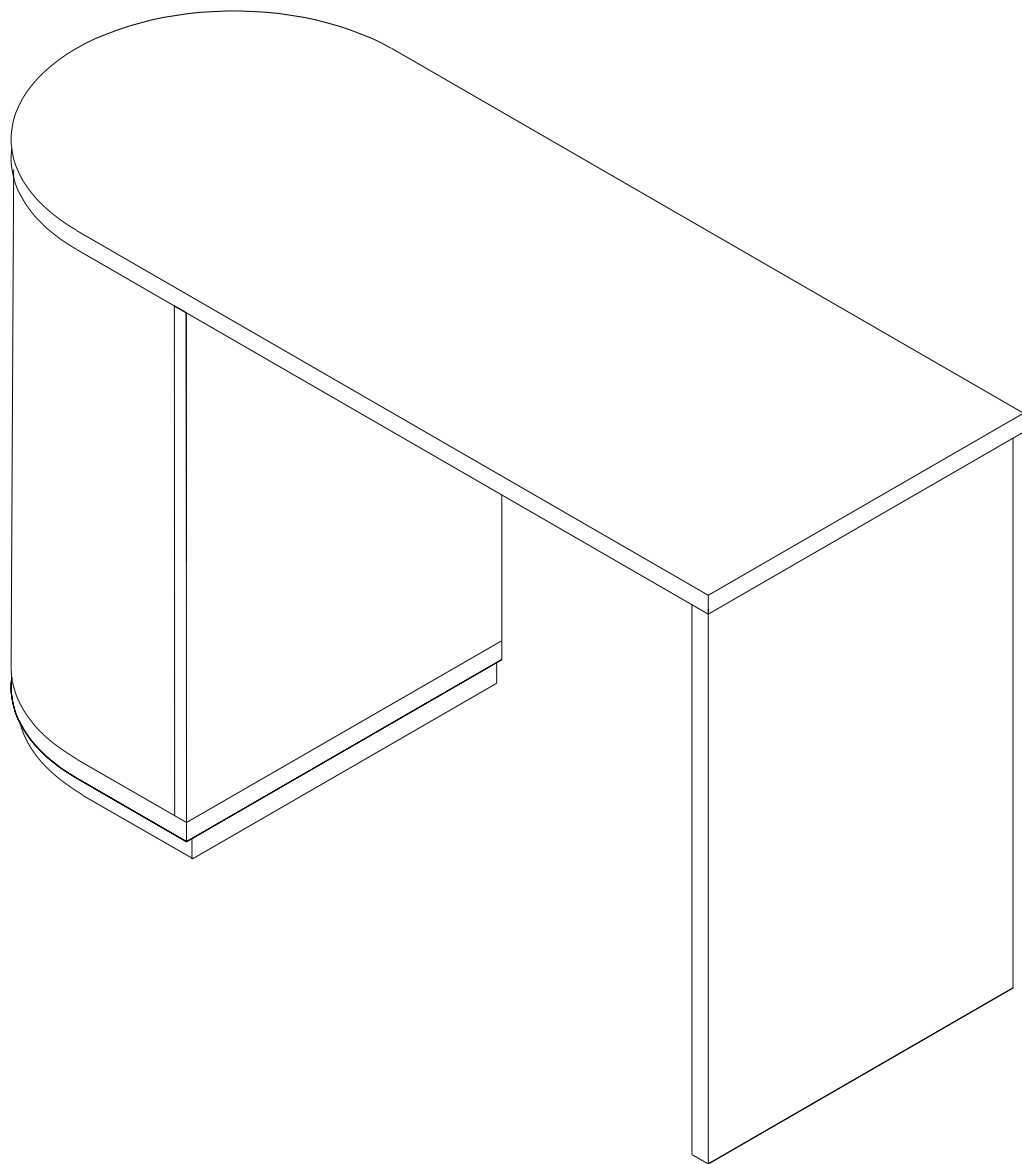
hello@tovfurniture.com



www.tovfurniture.com

If the future is female—your furniture should be, too. No mahogany in sight. Sexy settees shaped like lips. Price points for any budget. At TOV, we do things differently.

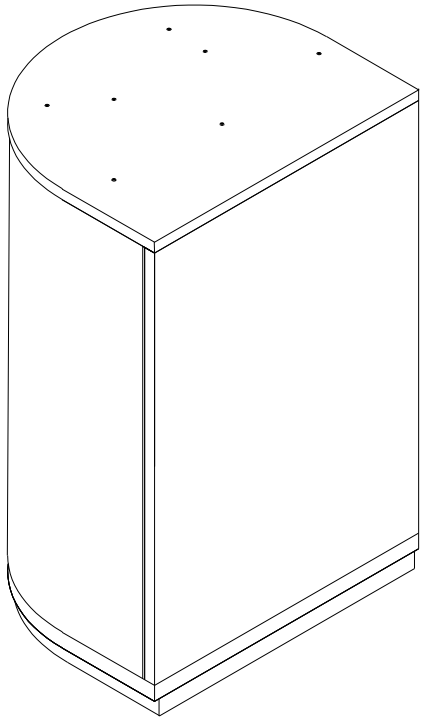
T O V



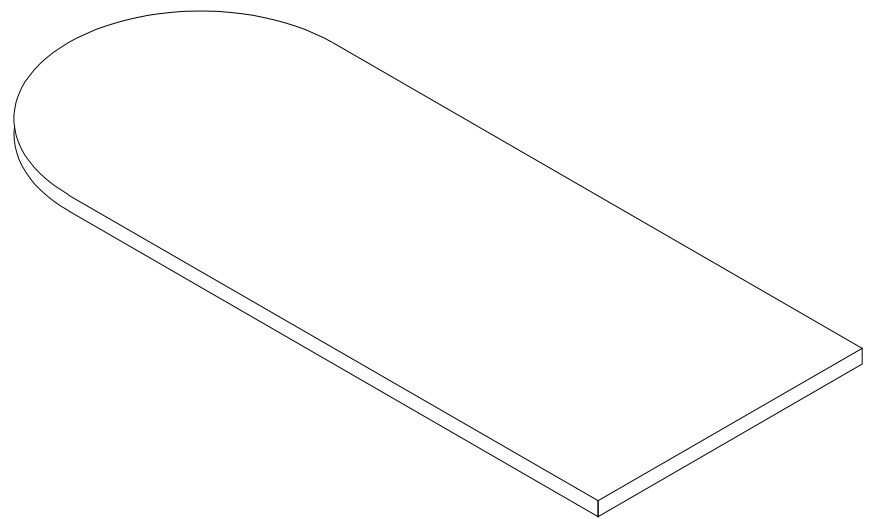
Marlene Desk

DON'T BE BORING

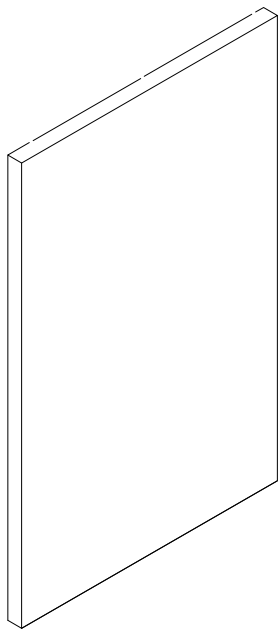
Components



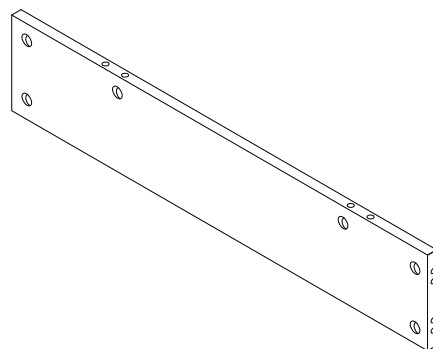
Cabinet Base (A)



Top Panel (B)

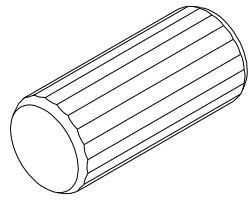


Side Panel (C)

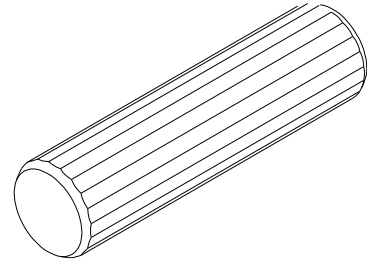


Back Panel (D)

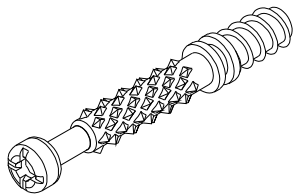
Hardware



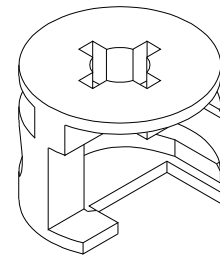
① Short Wood Dowel (x3)



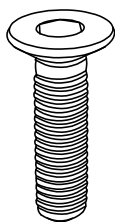
② Long Wood Dowel (x9)



③ Cam Lock Bolt (x6)



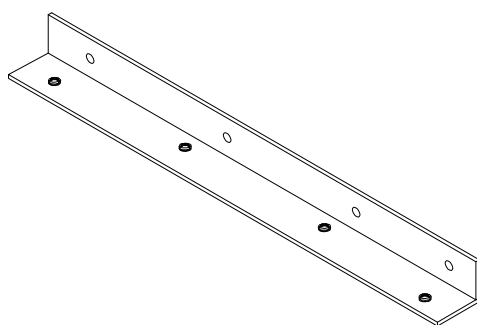
④ Cam Lock Nut (x6)



⑤ Bolt M8X25(x4)

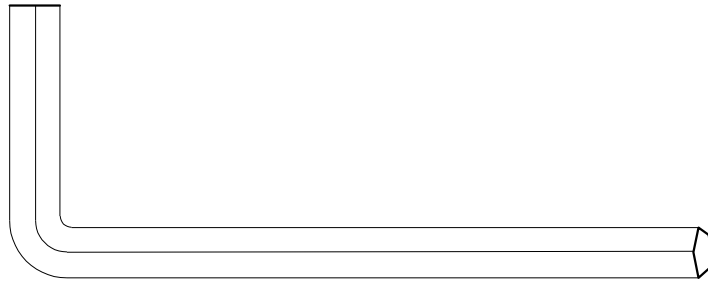


⑥ Bolt M6X15(x8)



⑦ Steel L Bracket (x1))

Hardware



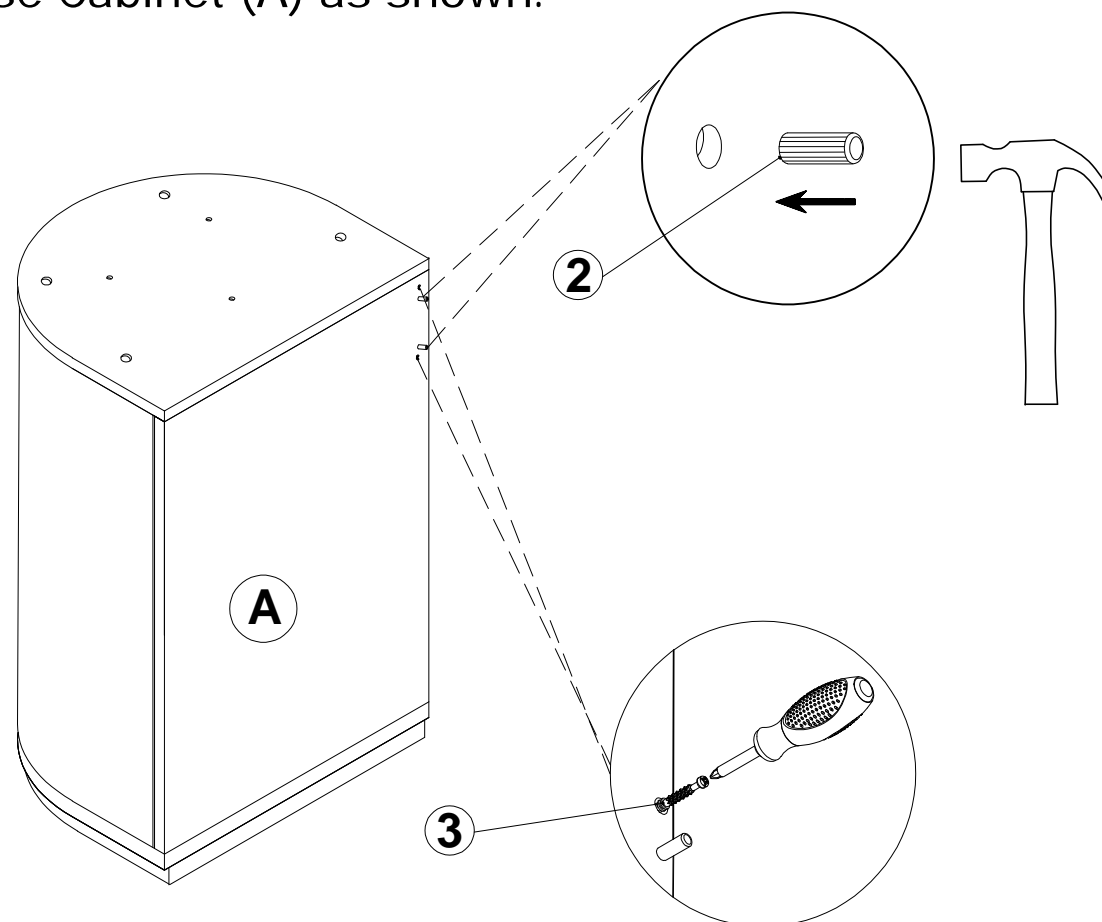
⑧ Allen key



Open components box of Vanity Top and Base.

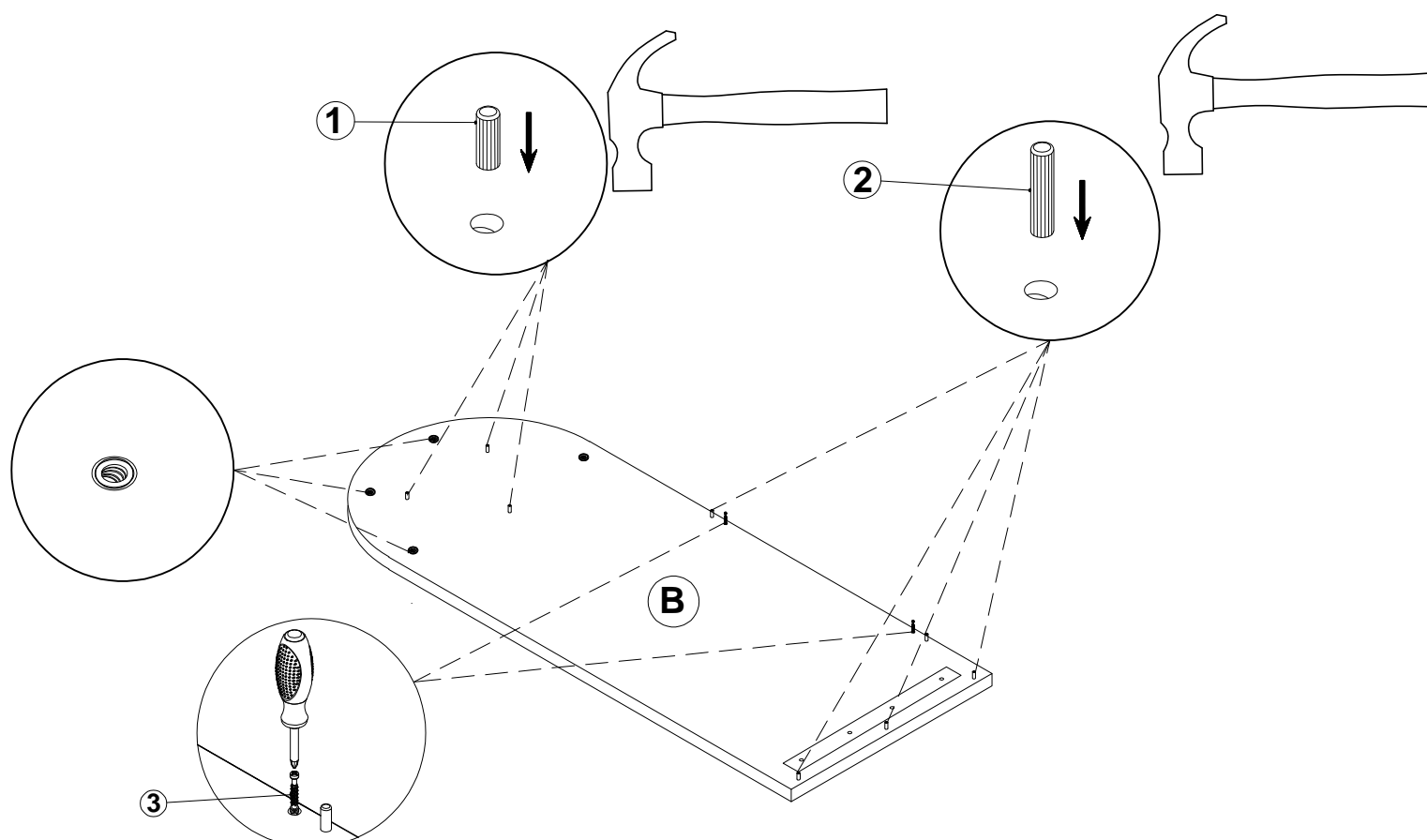
Step 1

Insert two Long Dowels (2) and screw in two Cam Lock Bolts (3) into the holes of Base Cabinet (A) as shown.



Step 2

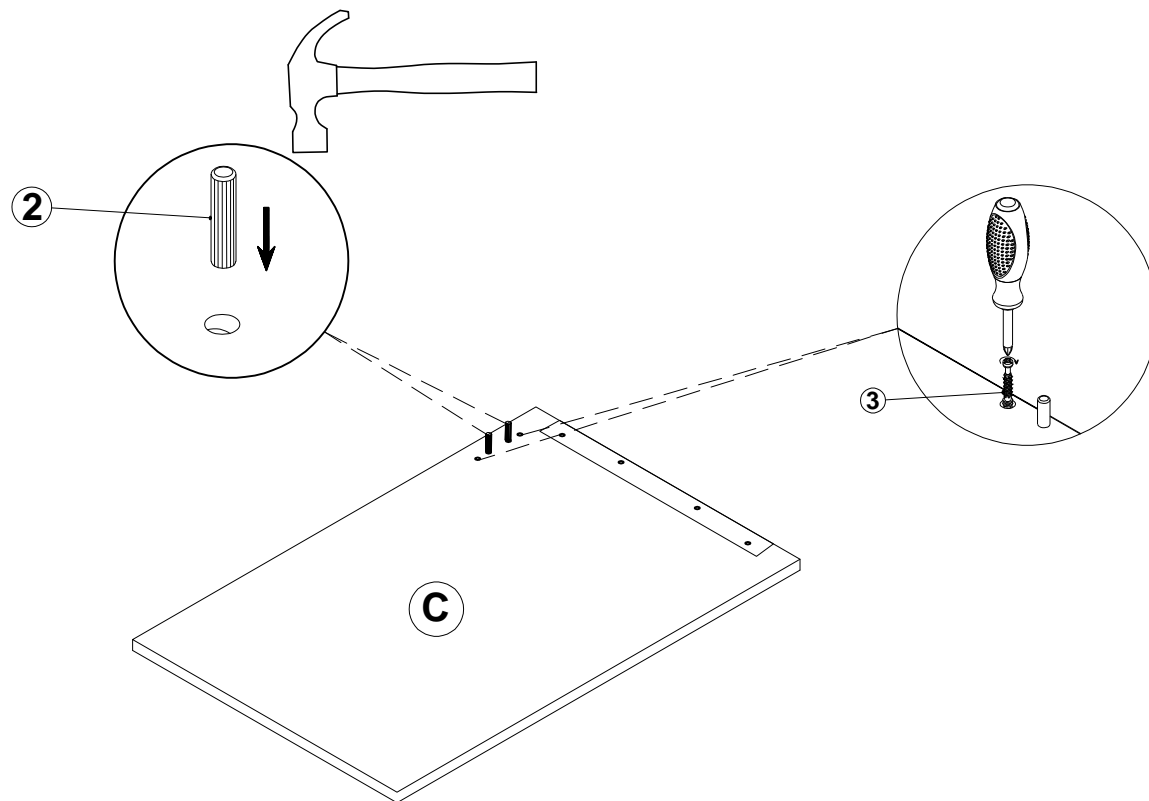
Insert three Short Dowels (1) into the holes of Top Panel (A) as shown. Insert five Long Dowels on the edge of Top Panel (B) as shown.



Then screw in two Cam Lock Bolts (3) into the holes of Top Panel (B) as shown.

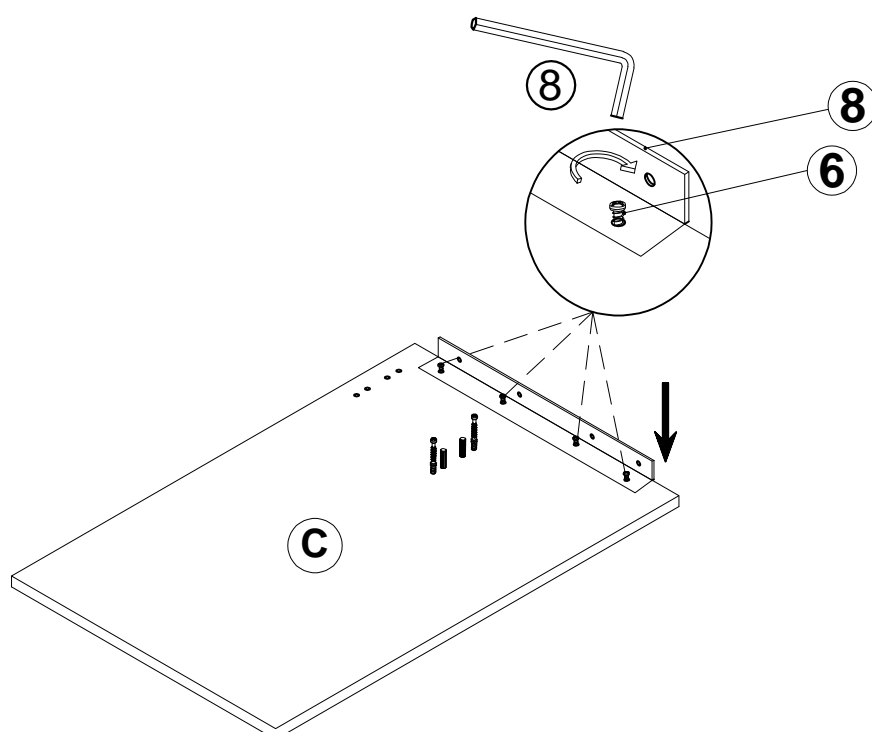
Step 3

Insert two Long Dowels (2) and screw in two Cam Lock Bolts (3) into the holes of Side Panel (C) as shown



Step 4

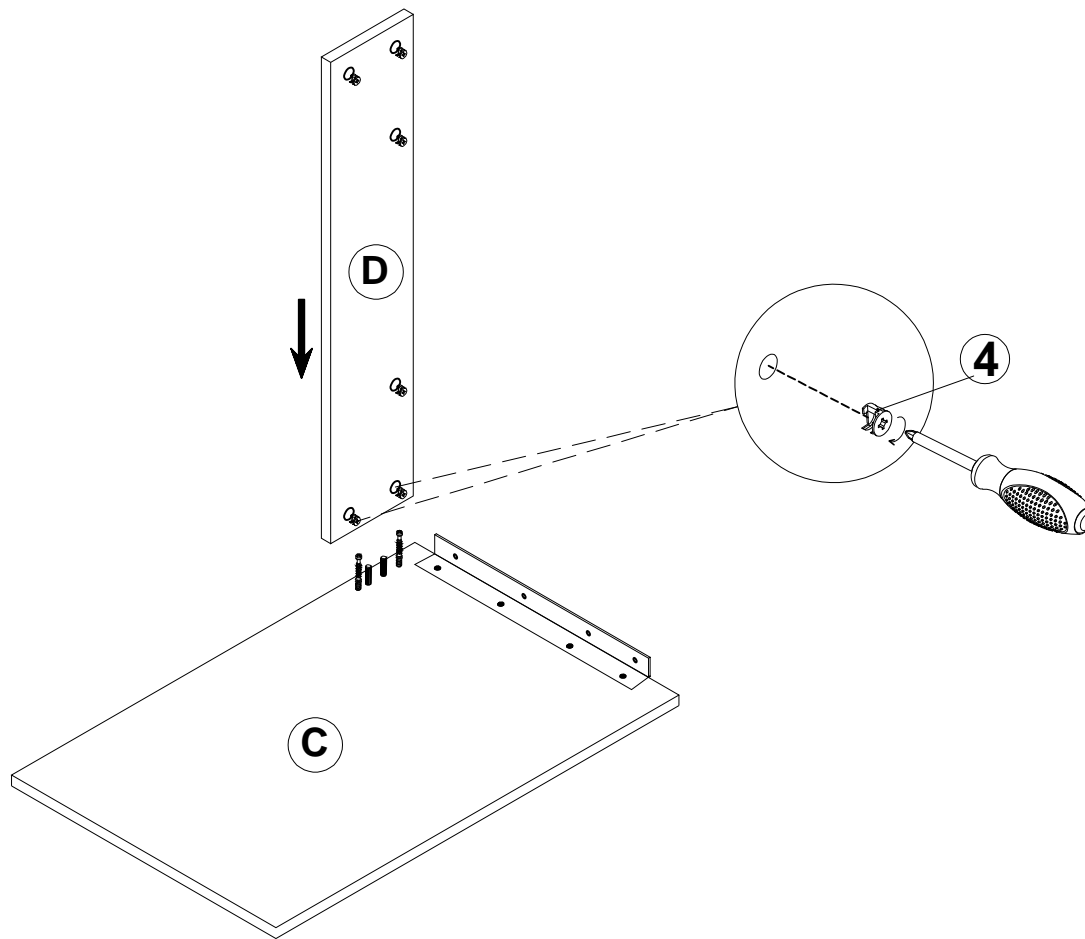
Attach the Steel L Bracket (7) to the recessed place on Side Panel (C), using Bolts M6x15 (6) and tighten with Allen Key (8).



Step 5: Let's build it up!

Attach Back Panel (D) vertically onto Panel (C), aligning the dowels and bolt holes.

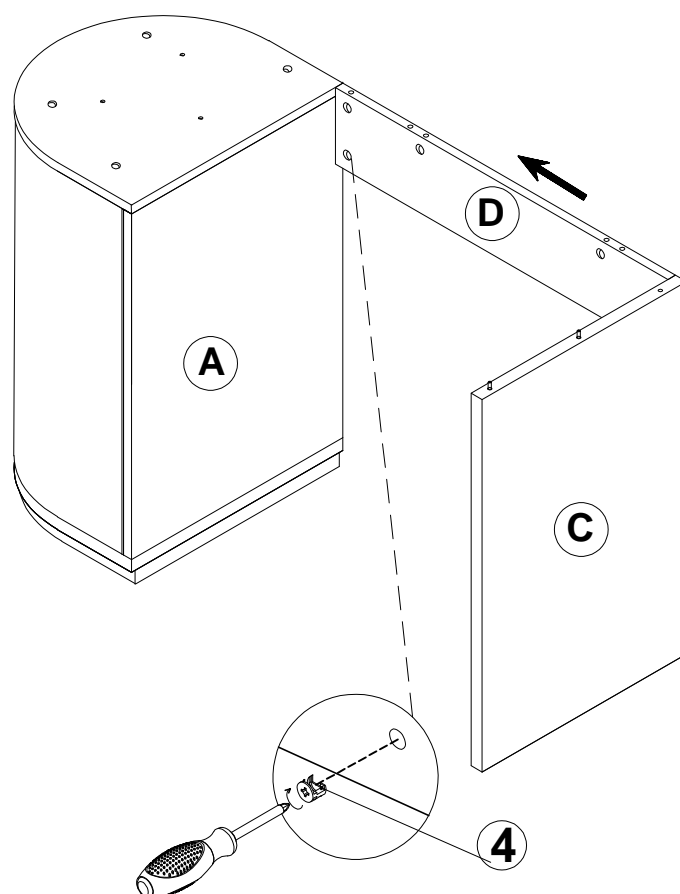
Then secure in place using Cam Lock Nuts (4)



Step 6: Connect the base.

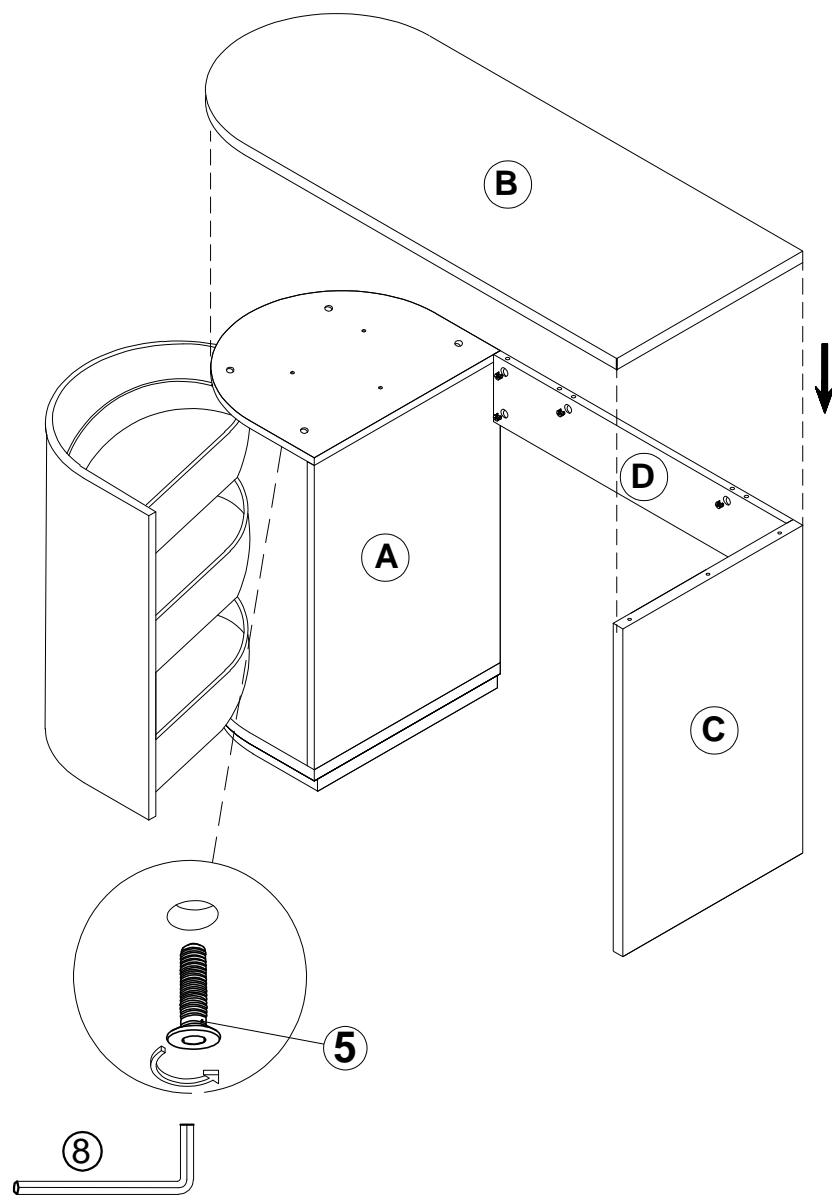
Align and attach the vertical side (C + D) to Cabinet Base (A).

Lock it in using Cam Lock Nuts (4).



Step 7: Top it off!

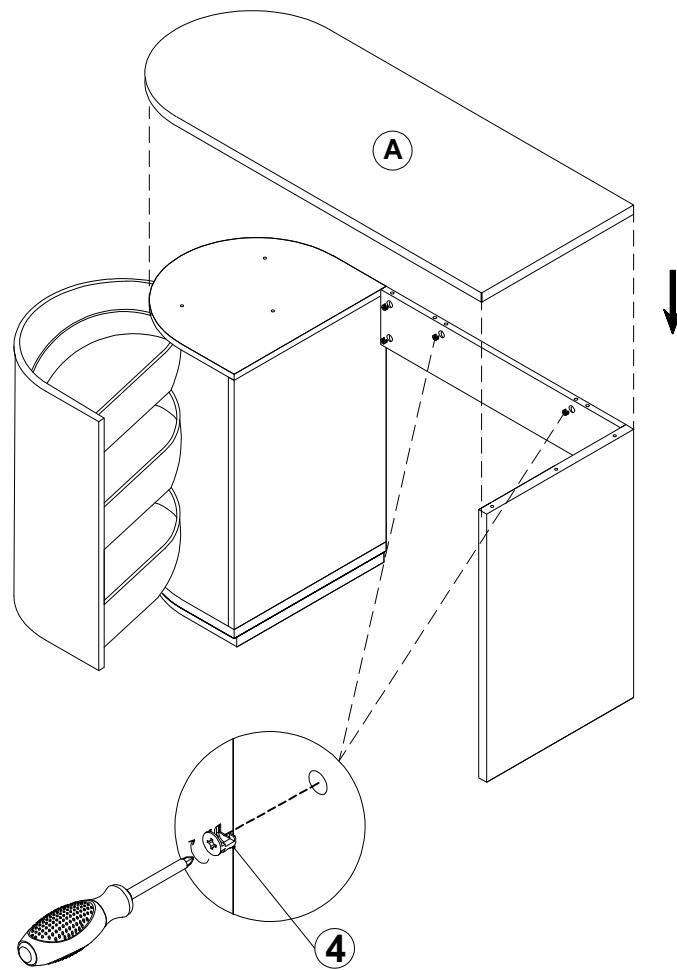
Carefully place Panel B (top piece) over the structure, guiding it onto the dowels.



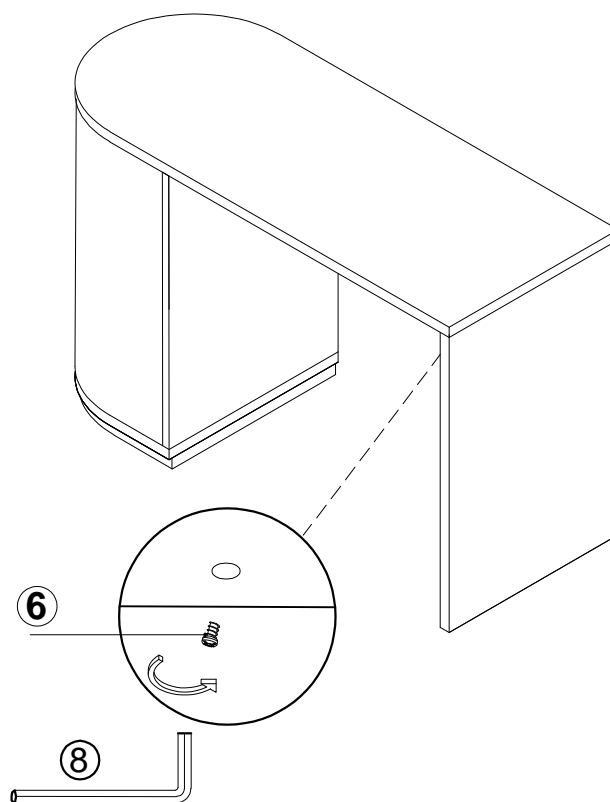
Secure in place with Bolts M8x25 (5) to the pre-drilled holes (under top of Base Cabinet (A)) by Allen Key (8)

Step 8: Final Step!

Tighten the remaining Cam Lock Nuts (4) on the the Back Panel (D)



Then tighten all Bolts (6) with the Allen Key (8) and you're DONE.



Stuck?
Contact our team @ 516-888-3355
Scan for product care!

