

TOV



Follow us!

Show your new purchase some love by tagging it on our Instagram!

 @tovfurniture

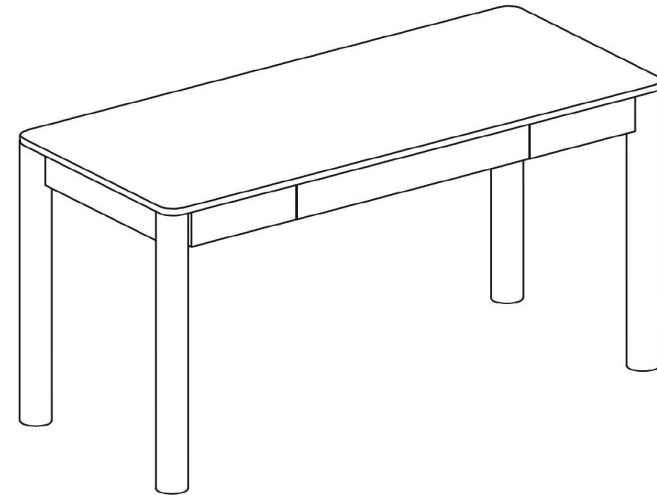
 516-888-3355

 hello@tovfurniture.com

 www.tovfurniture.com

If the future is female—your furniture should be, too. No mahogany in sight. Sexy settees shaped like lips. Price points for any budget. At TOV, we do things differently.

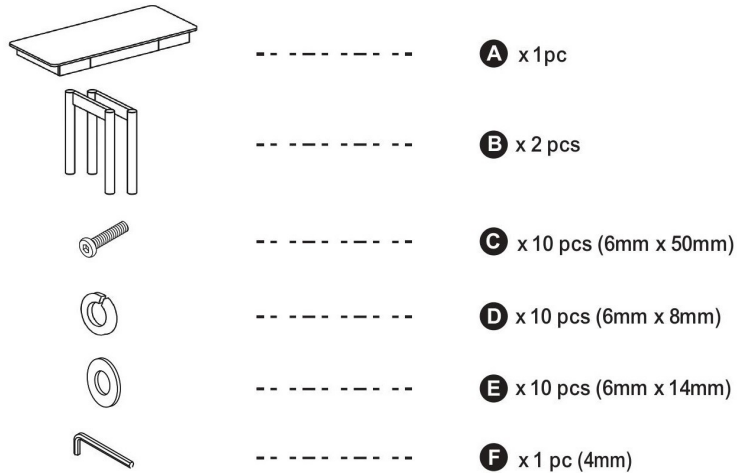
TOV



Berri Work Desk

DON'T BE BORING.

Hardware and Components



Step 1

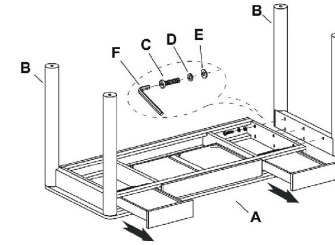
Open box of hardware and legs.

This hardware box will be a smaller box inside of the main box. Look for the red streamer.



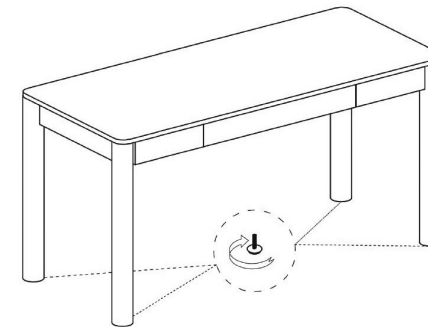
Step 2

- Place the table top (A) upside down on the floor.
- Open the drawers.
- Align table legs (B) to the table top. Carefully align the hole in the table top to the table legs.
- Using hardware (C, D, E, F), secure the table top to the table legs as shown below.



Step 3

Complete !



Stuck?

Contact our team @ 516-888-3355

Scan for product care!

