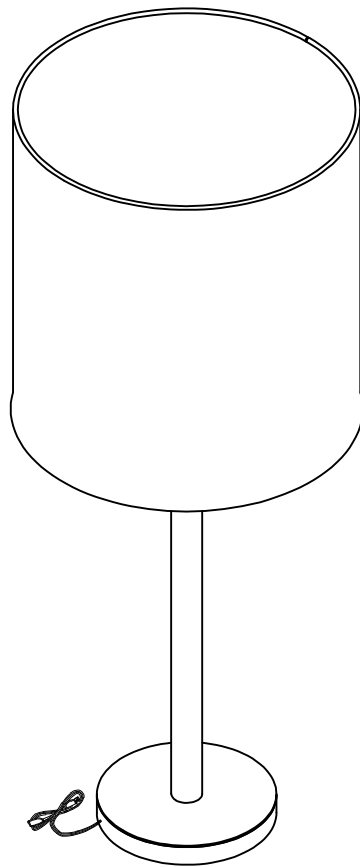


T O V



Lamia Table Lamp

DON'T BE BORING.

⚠ SAFETY INSTRUCTIONS

These instructions are provided for your safety. It is very important that they are read carefully and completely before beginning the assembly and installation of this lamp. This lamp has been rated for up to one (1) 40-watt maximum standard incandescent light bulb (not included). To avoid the risk of fire, do not exceed the recommended wattage. This lamp is meant for indoor use. DRY LOCATION ONLY. SAVE THESE INSTRUCTIONS.

⚠ WARNING

TO REDUCE THE RISK OF FIRE, ELECTRICAL SHOCK OR PERSONAL INJURY, ALWAYS TURN OFF AND UNPLUG THE LAMP AND ALLOW IT TO COOL PRIOR TO REPLACING THE LIGHT BULB.

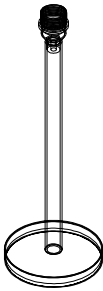
DO NOT TOUCH BULB WHEN THE LAMP IS TURNED ON. DO NOT LOOK DIRECTLY AT LIT BULB.

KEEP FLAMMABLE MATERIALS AWAY FROM LIT BULB.

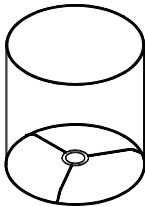
ASSEMBLY INSTRUCTIONS

Remove all parts and hardware from box along with any plastic protective packaging.

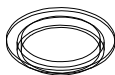
Hardware and Components



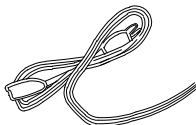
..... **A** x 1 Pc Lamp Base



..... **B** x 1pc Lamp Shade



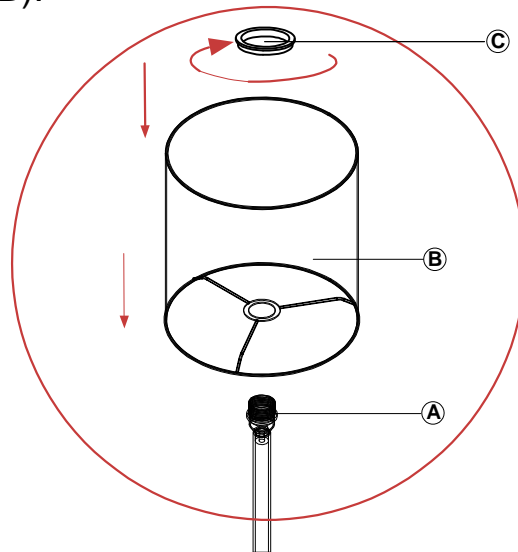
..... **C** x 1pc Socket Ring



..... **D** x 1pc Cord and Plug

Step 1

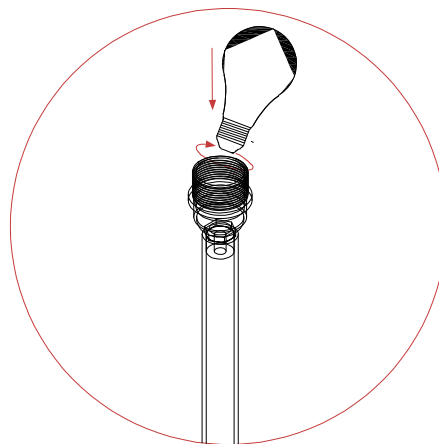
Place the Lamp Shade (B) over the assembled Lamp Base (A).
Place the Socket Ring (C) and tighten by turning clockwise to secure the Lamp Shade (B).



Step 2

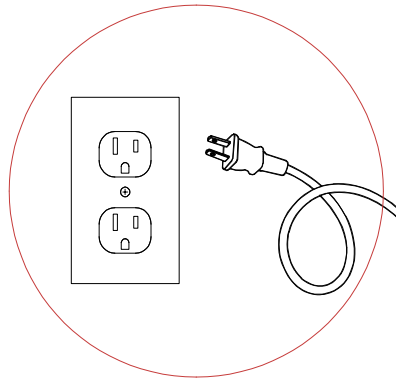
Insert one (1) 40-watt maximum standard incandescent light bulb (not included) into the socket and screw in the light bulb.

DO NOT EXCEED THE SPECIFIED WATTAGE.



Step 3

Plug the cord (D) of the lamp into the proper electrical outlet and test this lamp. Now your assembly is complete.



CARE INSTRUCTIONS

Wipe clean with a soft, dry cloth or static duster.

Always avoid the use of harsh chemicals or abrasive cleaners as they may cause damage to the lamp's finish.

Stuck?
Contact our team @ 516-888 -3355

Scan for product care!




TOV




Follow us!

Show your new purchase some love by tagging it on our Instagram!

 @tovfurniture

 516-888-3355

 hello@tovfurniture.com

 www.tovfurniture.com

If the future is female—your furniture should be, too. No mahogany in sight. Sexy settees shaped like lips. Price points for any budget. At TOV, we do things differently.