


# TOV



## Follow us!

Show your new purchase some love by tagging it on our Instagram!

 @tovfurniture

 516-888-3355

 hello@tovfurniture.com

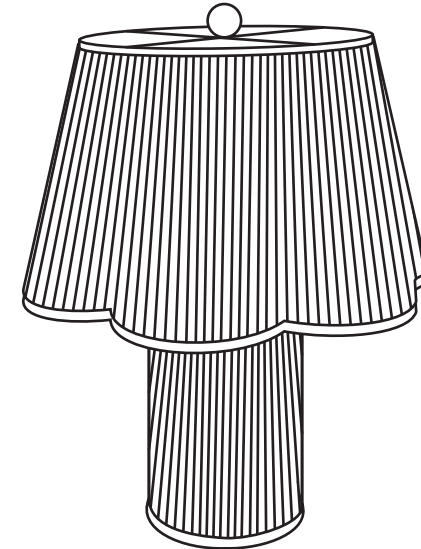
 www.tovfurniture.com

### CARE & MAINTENANCE

Do not use polishes or cleaners on your Table  
USE DRY CLOTH TO CLEAN.

Thank you for purchasing the **Corrine Table Lamp**  
This page lists all contents included in the box.  
Please take time to identify all the parts of this product.  
As you unpack and prepare for assembly, place  
the contents on a carpeted or padded area to protect them  
from damage.

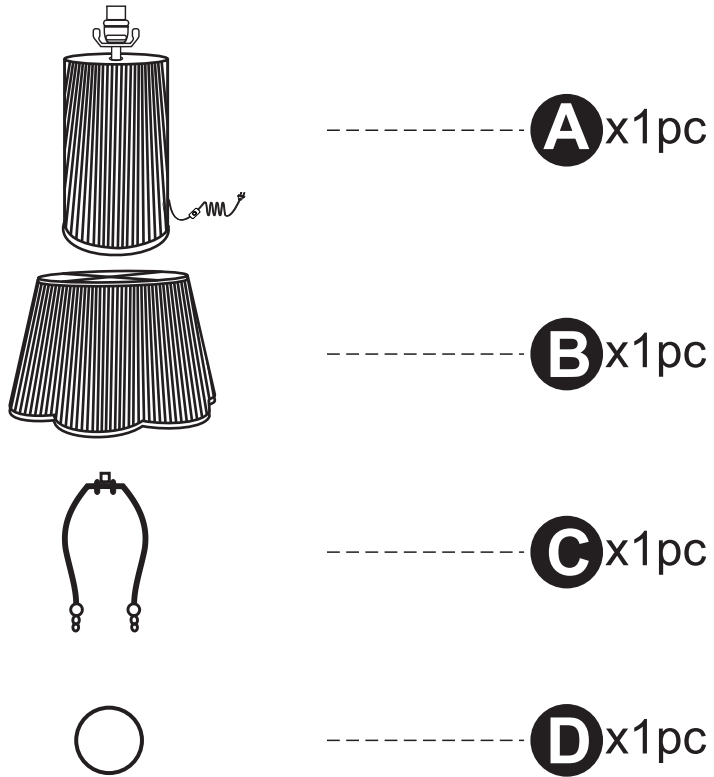
# TOV



## CORRINE Table Lamp

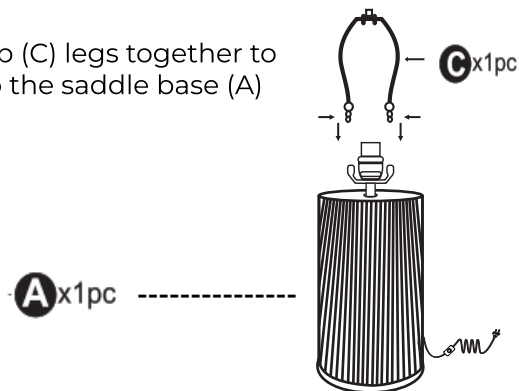
**DON'T BE BORING.**

# Hardware and Components



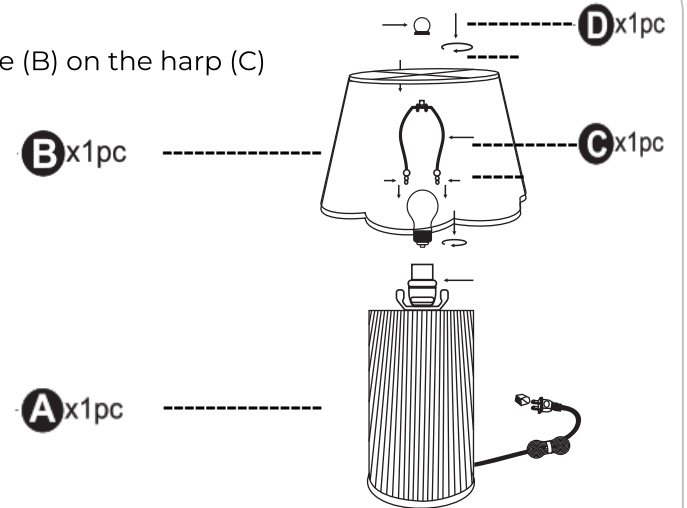
## Step 1

Squeeze the harp (C) legs together to connect them to the saddle base (A)



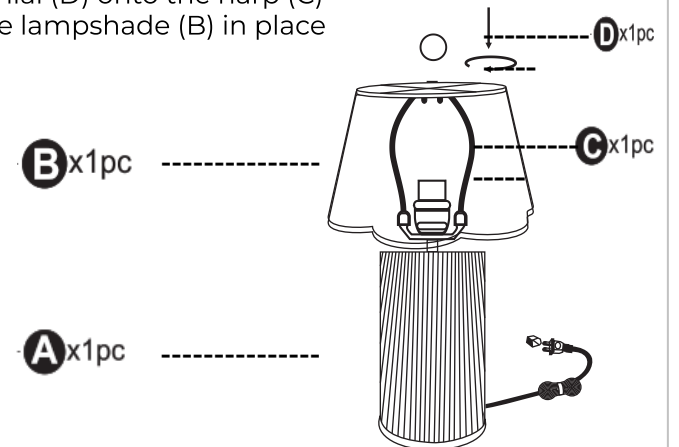
## Step 2

Place shade (B) on the harp (C)



## Step 3

Screw the finial (D) onto the harp (C) to secure the lampshade (B) in place



Stuck?

Contact our team @ 516-888-3355

Scan for product care!

