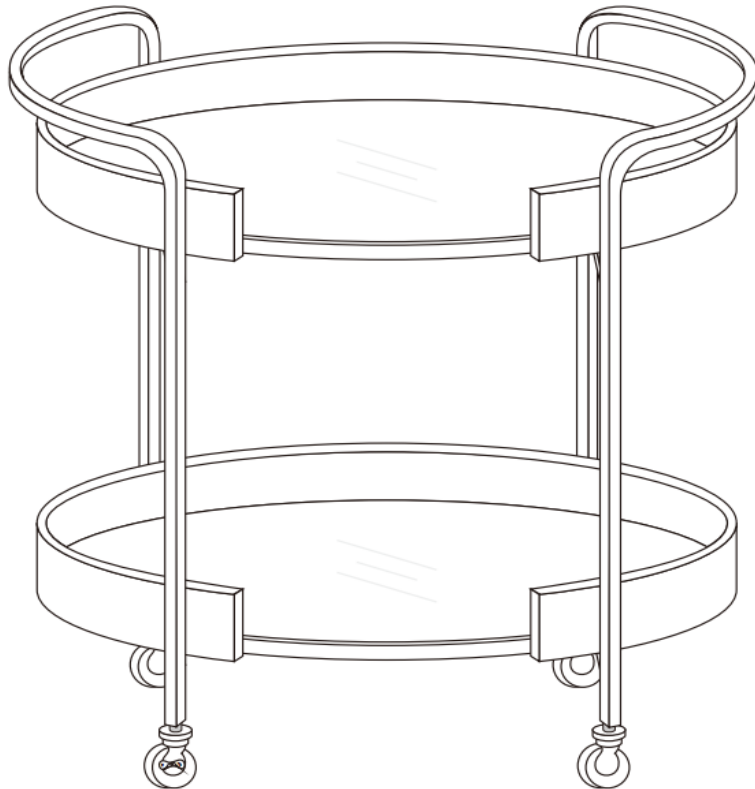


T O V



Cyril Bar Cart

DON'T BE BORING.

Hardware and Components



A x2pcs



B x2pcs



C x16pcs



D x1pc

Step 1

Open the box . Look for the red streamer.

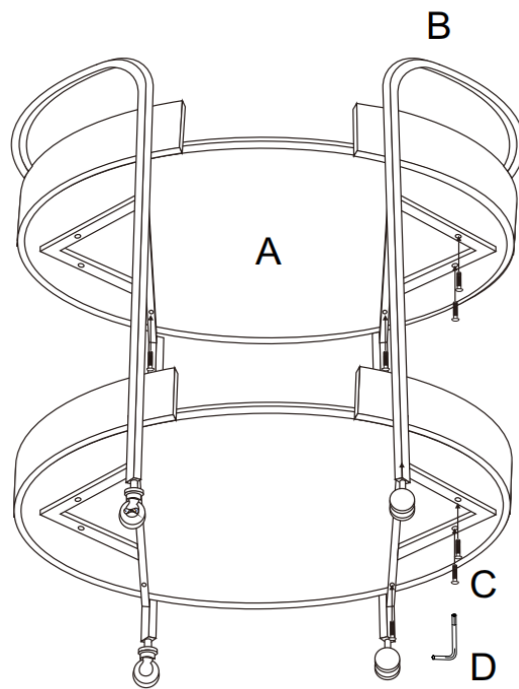


Step 2

A. Tip the tray over.

B. Attach Leg part B, to tray base using parts C,D.

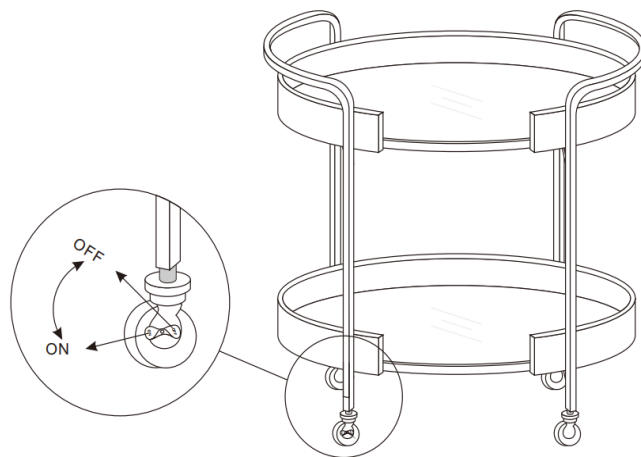
C. Repeat 2x, for all 2 legs.



Step 3

A. If needed, there are brakes available.

B. Complete!



Stuck?

Contact our team @ 516-888-3355

Scan for product care!




TOV



Follow us!

Show your new purchase some love by tagging it on our Instagram!

 @tovfurniture

 516-888-3355

 hello@tovfurniture.com

 www.tovfurniture.com

If the future is female—your furniture should be, too. No mahogany in sight. Sexy settees shaped like lips. Price points for any budget. At TOV, we do things differently.