

TOV




Follow us!

Show your new purchase some love by tagging it on our Instagram!

 @tovfurniture

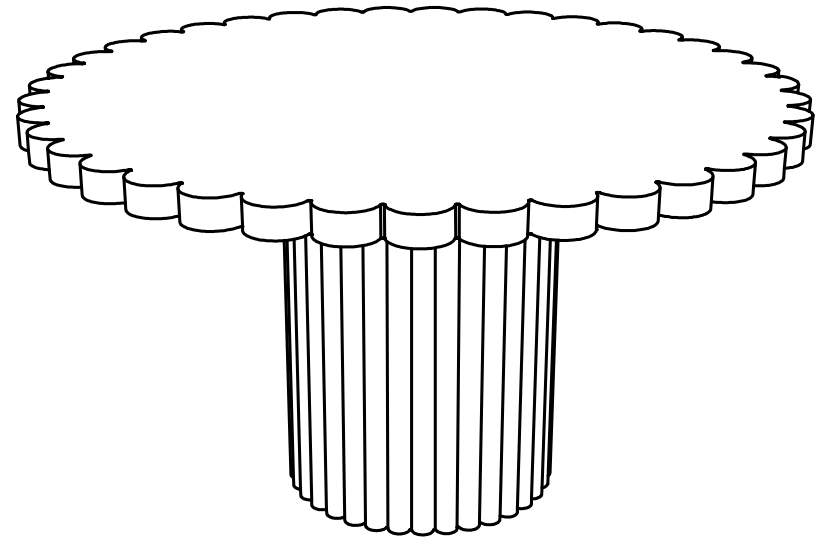
 516-888-3355

 hello@tovfurniture.com

 www.tovfurniture.com

If the future is female—your furniture should be, too. No mahogany in sight. Sexy settees shaped like lips. Price points for any budget. At TOV, we do things differently.

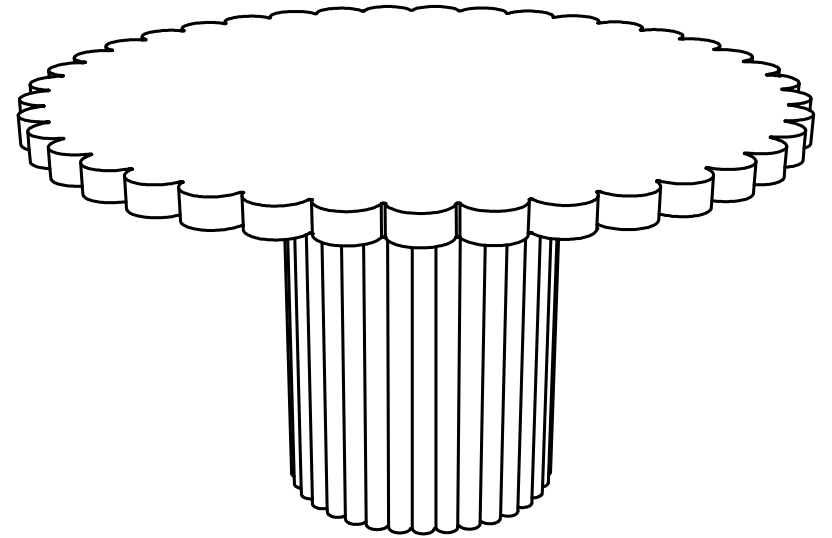
TOV



Blossom Dining Table

DON'T BE BORING.

Step 3
Assembly is complete. Enjoy!



Stuck?
Contact our team @ 516-888-3355
Scan for product care!



Hardware and Components



..... (A) Top x 1pcs



..... (B) Base x 1pcs



..... (C) Bolt M8*25 x 4pcs



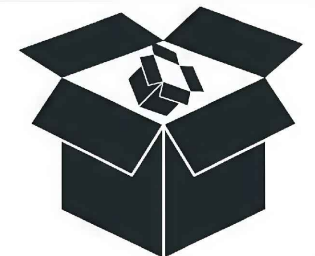
..... (D) Washer Ø22*2 x 4pcs



..... (E) Allen key x 1pcs

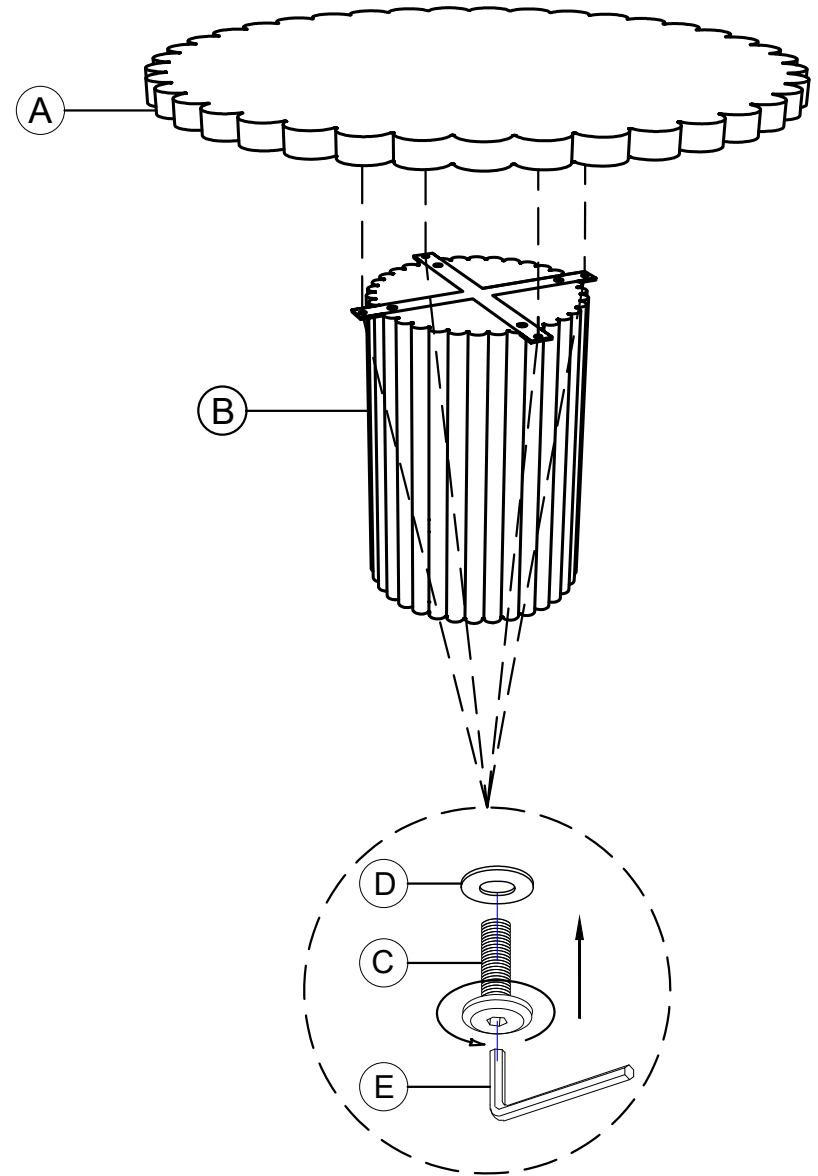
Step 1
Open box of hardware and legs.

This hardware box will be a smaller box inside of the main box. Look for the red streamer.



Step 2

- 1) Place table top (A) on table base (B).
- 2) Secure the table top (A) to table base (B) with hardware (C) & (D) with Allen key (E).



Start by tightening the bolts at 70%, and once all screws are in place, tighten them fully.