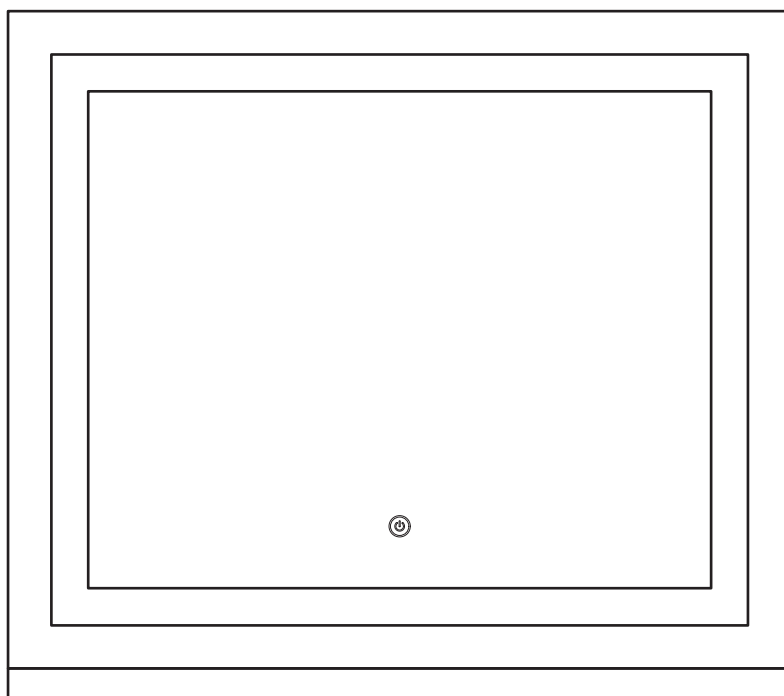


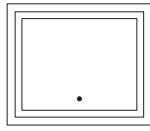
TOV



LOLA

DON'T BE BORING.

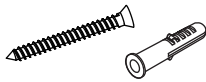
Hardware and Components



A 1 **Mirror**



B 1+3 **Base and Screw**



C 2+2 **Screw and Expansion bolt**

BEFORE BEGINNING ASSEMBLY:



Read instructions cover to cover



Have two adults on hand for assembly



Do NOT assemble on flooring or carpet. Assemble on a clean non-marring surface (ex: packing foam)

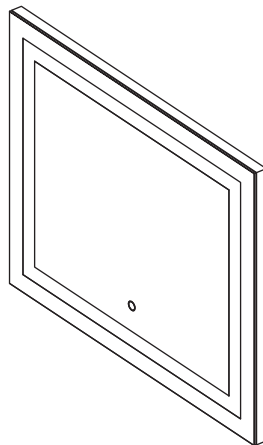


Save all packaging until assembly is completed

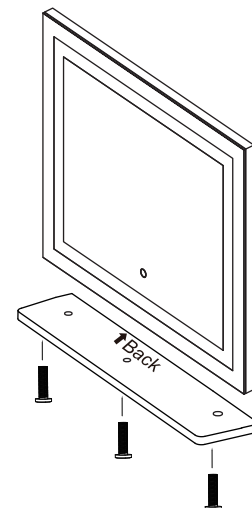
INSTALLATION METHOD

Option 1

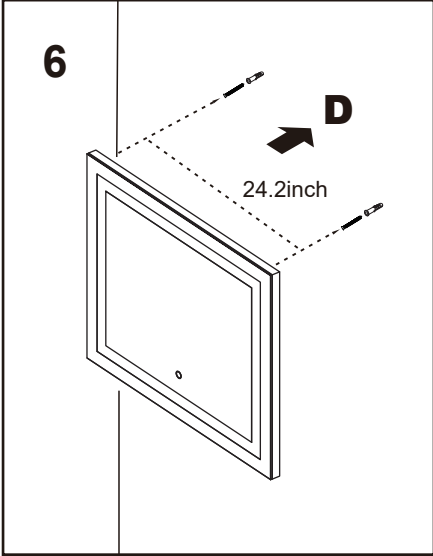
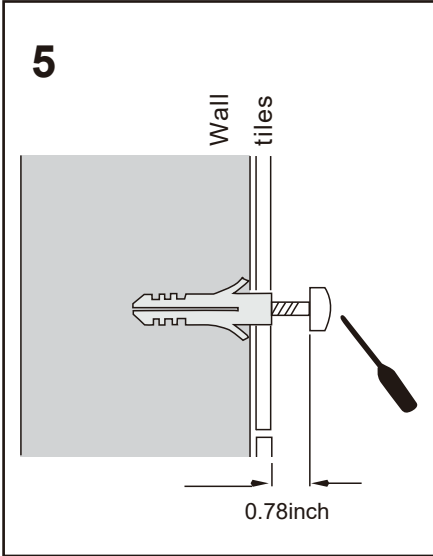
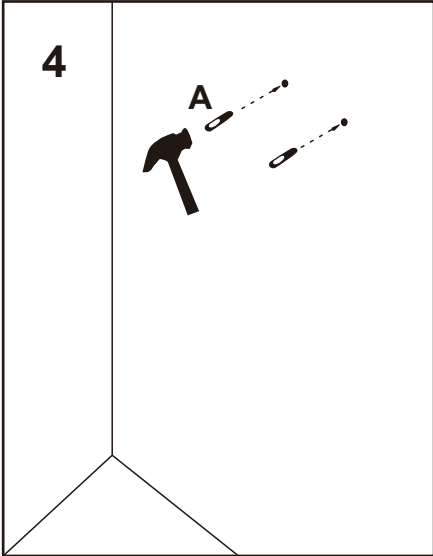
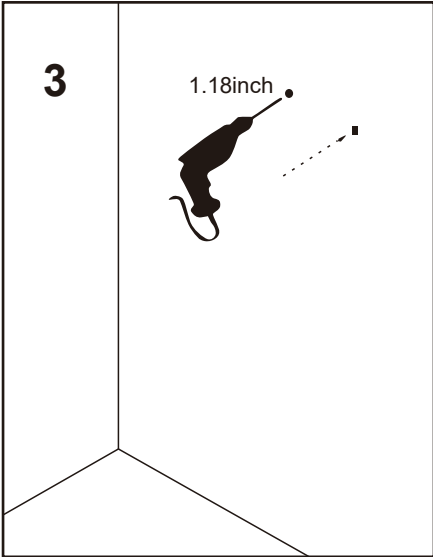
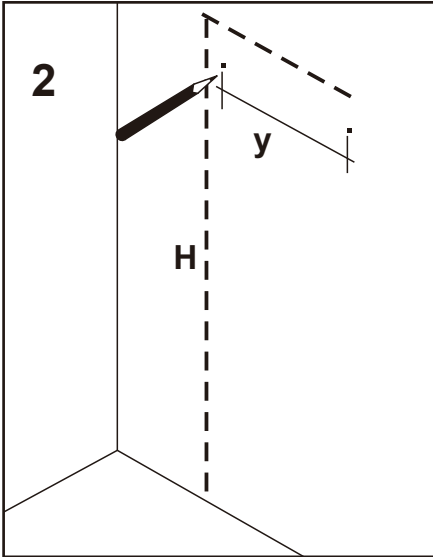
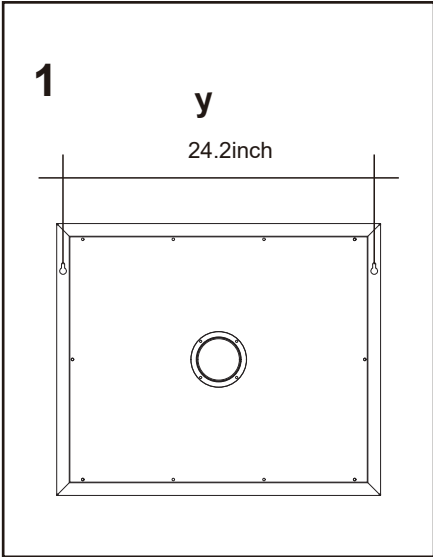
A



B



Option 2



Stuck?
Contact our team @ 516-888-3355
Scan for product care!





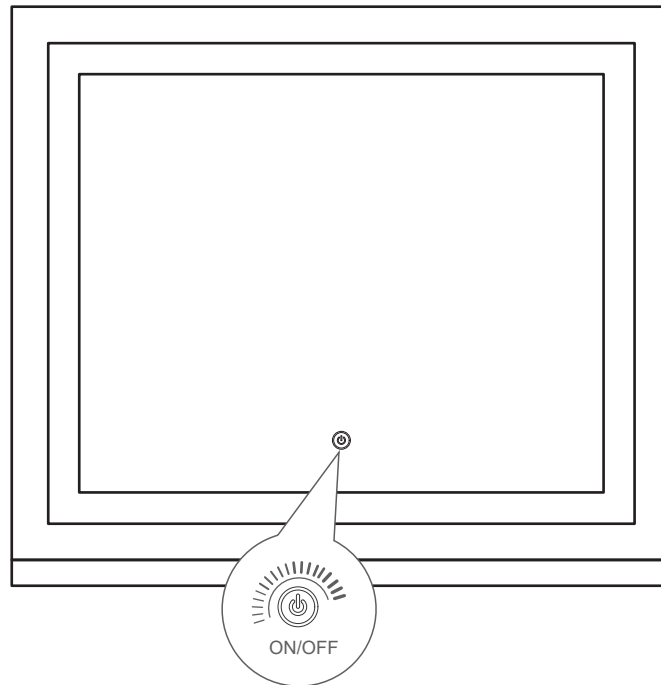
Made in China

SAFETY INSTRUCTIONS

- ⓘ Please read the instructions carefully before using.
- ⓘ Do not disassemble or refit the products.
- ⓘ Press touch sensor button properly.
- ⓘ To avoid a reduction in the mirror life, do not place the product in a wet environment.
- ⓘ Keep the mirror dry; moisture reduces the sensitivity of the product.
- ⓘ Turn off the power before cleaning. The surface of the mirror should be cleaned with glass cleaner; please make sure the mirror is completely dry before using.
- ⓘ Turn off the power and avoid direct sunlight if not used or stored for a long time. Keep away from children's access.
- ⓘ Make sure that your charging device is adequate for the mirror voltage rating before using.
- ⓘ Do not approach or touch the product in case of fire or explosion.
- ⓘ Stop using it immediately if abnormal condition occurs.

※ We reserves the right of any modification of the product involving design and specification, all the materials here are for your reference only and are subject to the products you received. No further notice be given for any technical parameters changed.

OPERATING INSTRUCTIONS



- (1) Please use standard plug to connect the power directly.*
- (2) Briefly touch to turn the lights on/off. Lights will be at 100% brightness when first turned on. Touch and hold the sensor to adjust brightness and memory function.*
- (3) Unplug when not in use.*
- (4) This vanity mirror is designed with a detachable base and can be wall mounted. Please refer to the instructions below to install the base with the included hardware.*

SPECIAL FEATURE



4mm Thickness high definition eco-friendly glass mirror



Built-in touch sensor switch



Power supplied by adapter


TOV



Follow us!

Show your new purchase some love by tagging it on our Instagram!

 @tovfurniture

 516-888-3355

 hello@tovfurniture.com

 www.tovfurniture.com

If the future is female—your furniture should be, too. No mahogany in sight. Sexy settees shaped like lips. Price points for any budget. At TOV, we do things differently.