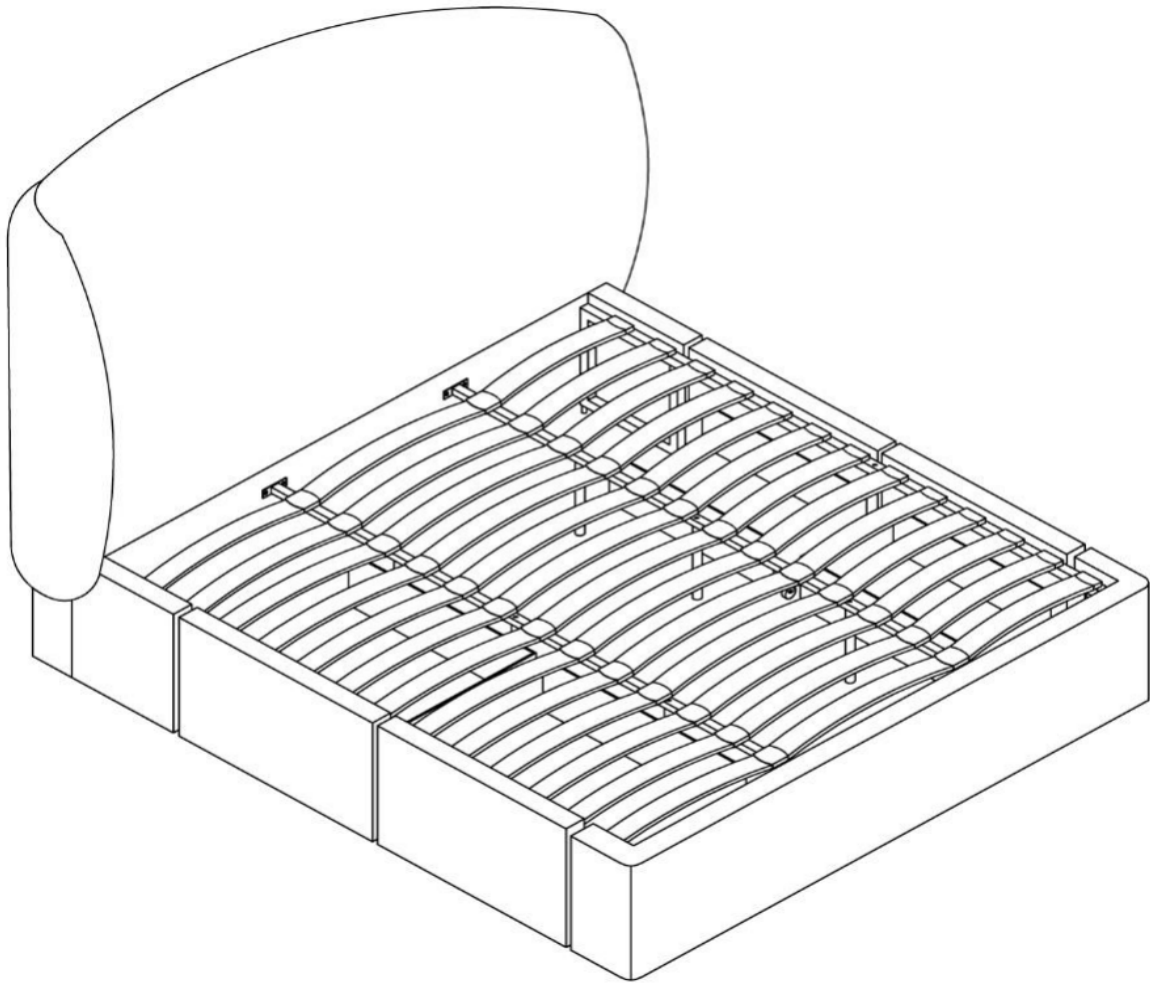
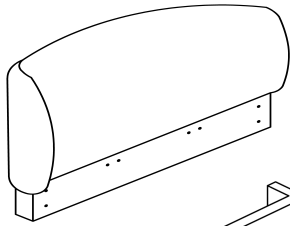


TOV

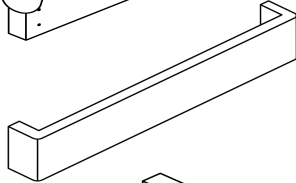


Corey King Bed
DON'T BE BORING.

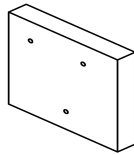
Hardware and Components



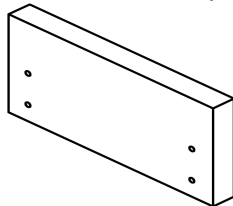
----- **A** X 1 PC



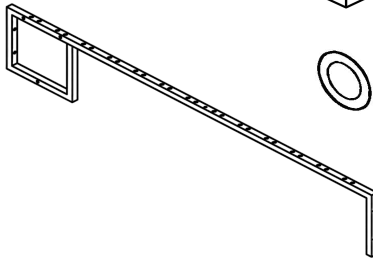
----- **B** X 1 PC



----- **C** X 2 PCS



----- **D** X 4 PCS



----- **E** X 38 PCS (Φ 8mm)

----- **F** X 2 PCS



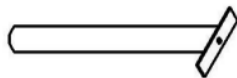
----- **G** X 2 PCS



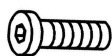
----- **H** X 16 PCS (H=60mm)



----- **I** X 1 PC (Φ 8mm)



----- **J** X 8 PCS (H=275mm)






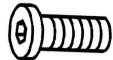


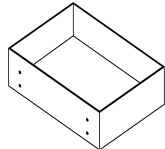


----- **K** X 22 PCS (40mmx8mm)



----- **L** X 26 PCS

Hardware and Components

	-----	M X8PCS(40mmx6mm)
	-----	N X 26 PCS
	-----	O X 40 PCS(Φ 6mm)
	-----	P X 3 9 PCS
	-----	Q X 3 2 PCS (15mmx6mm)
	-----	R X 8 PCS (30mmx8mm)
	-----	S X 8 PCS (50mmx8mm)
	-----	T X 6 PCS (H=25mm)
	-----	U X 4 PCS

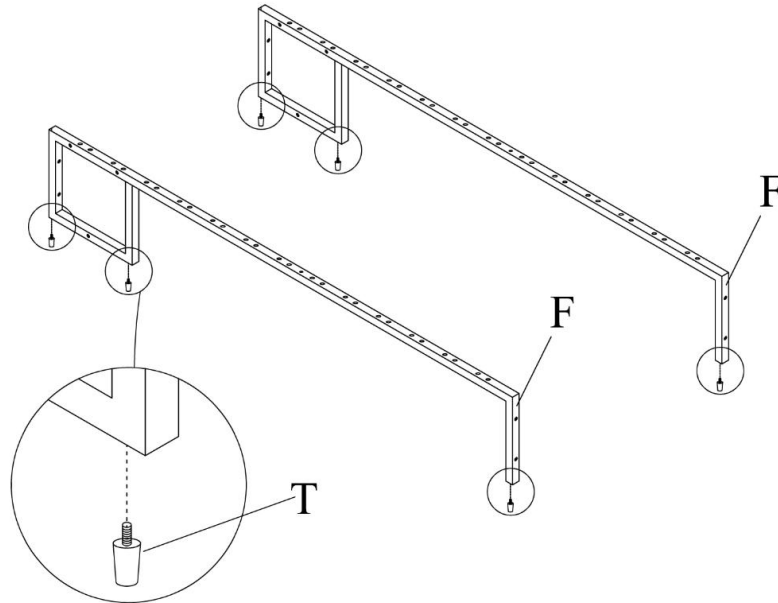
Step 1

Open box of hardware and legs.
This hardware box will be a smaller box inside of the main box. Look for the red streamer.



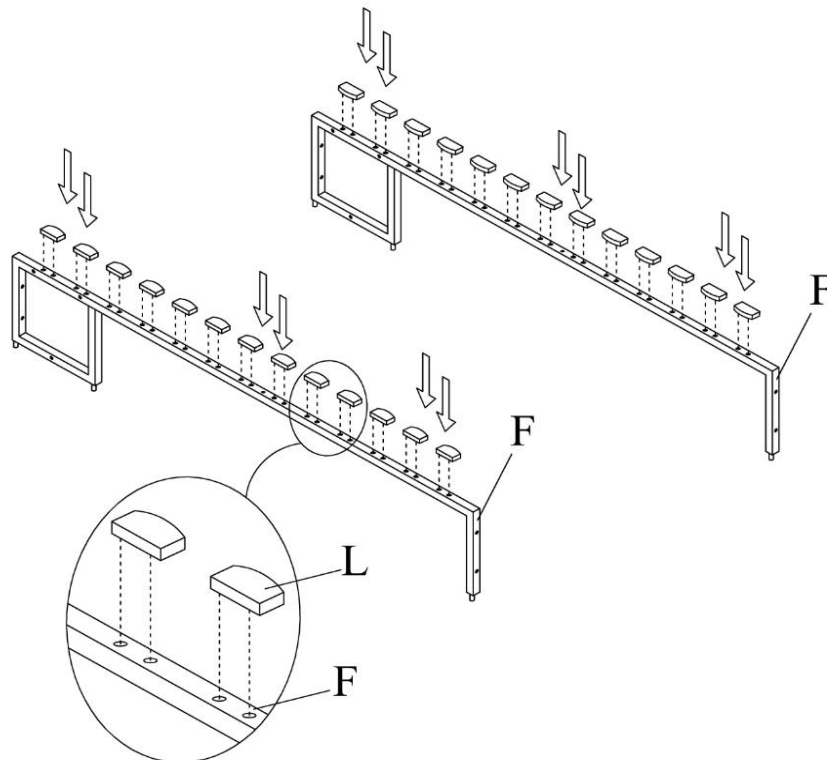
Step 2

- A. Retrieve plastic legs (T) from parts' carton packed in headboard carton.
- B. Attach plastic legs (T) to the metal side support tubes (F).



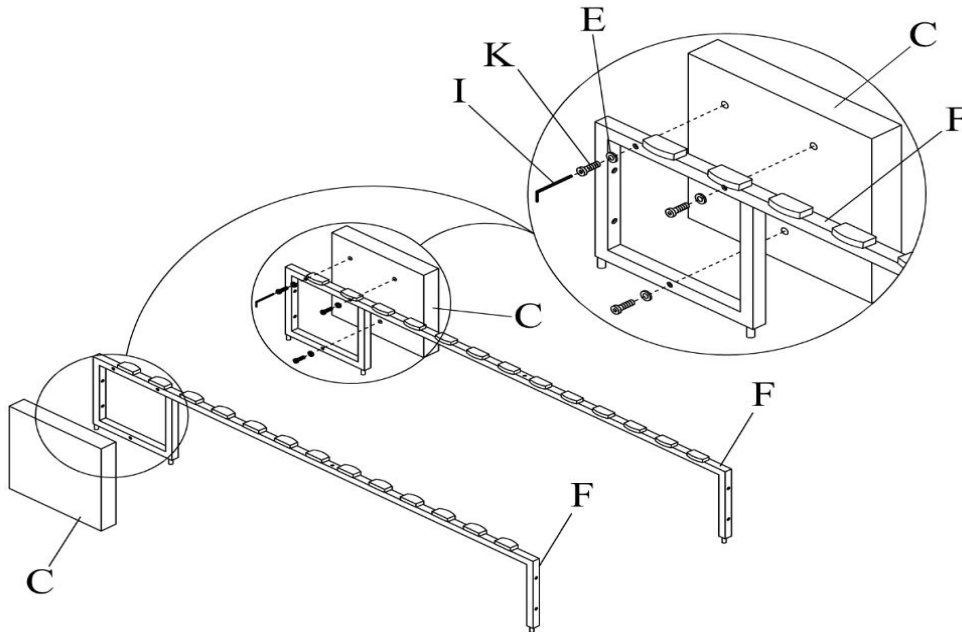
Step 3

- A. Push the end clips (L) into the side support tubes (F). Make sure the opening of the clips (L) faces inward.



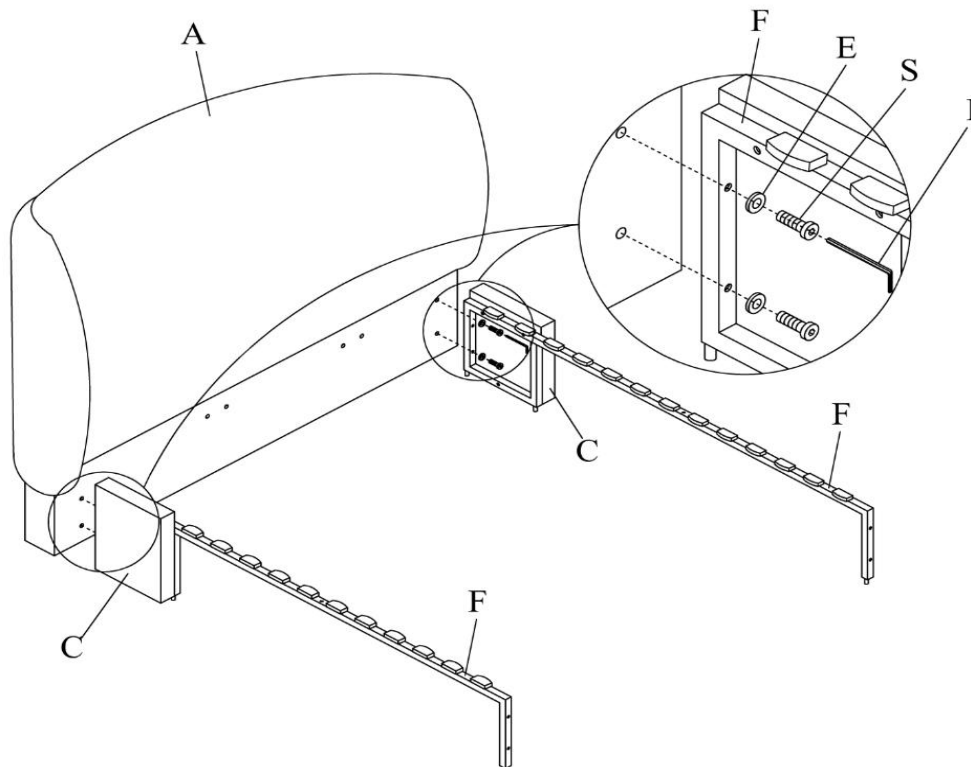
Step 4

A. Attach the side support tubes (F) to the side rails (C), line the side tubes up with holes and fit the bolts (K) & washers (E), Tighten the bolts with Allen key (I).



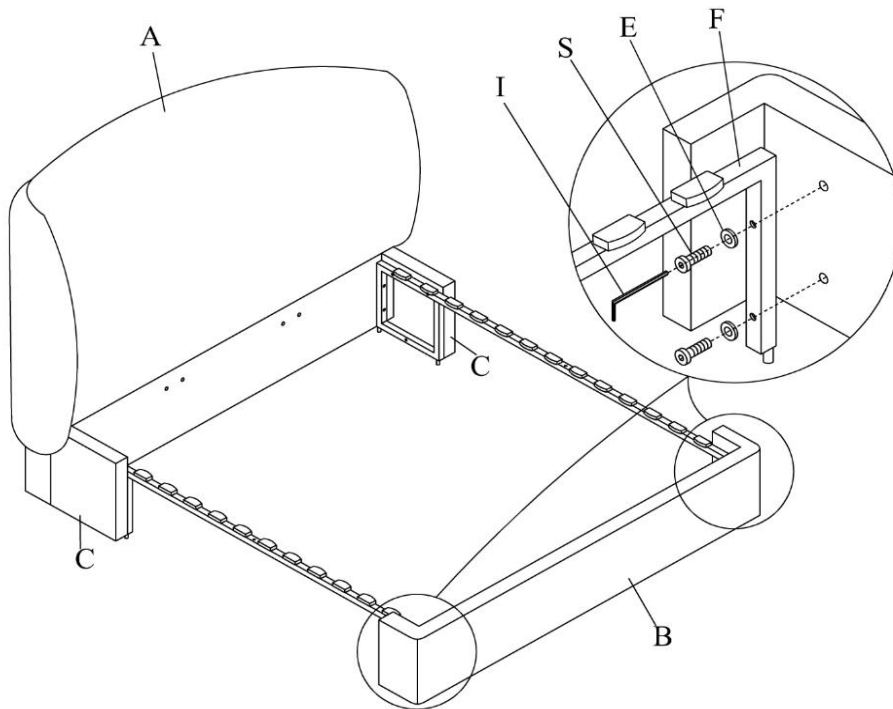
Step 5

A. Attach side rails to headboard (A) using bolts (S) and washers (E). Tighten the bolts with Allen key (I).



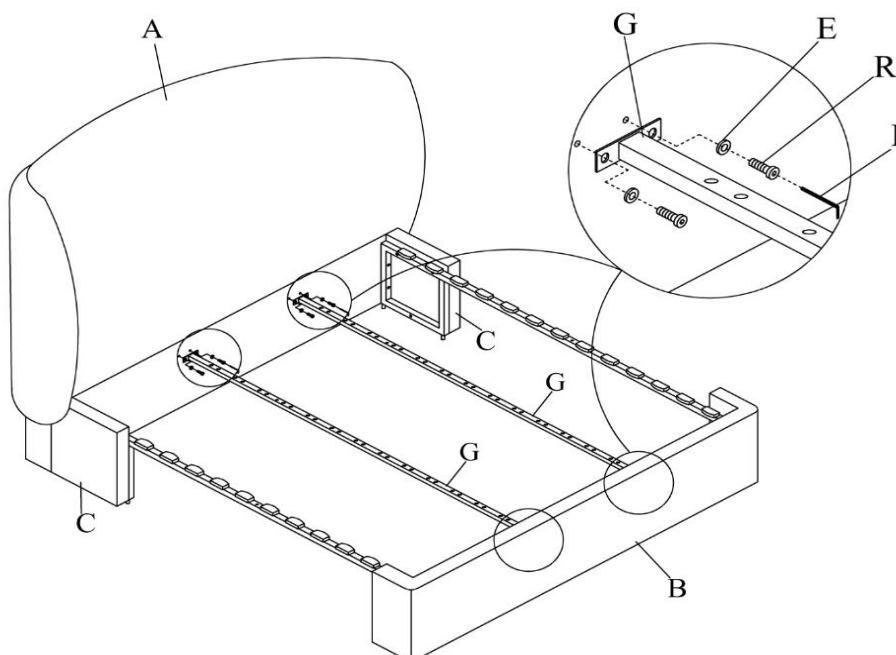
Step 6

A. Attach side rails to footboard (B) using bolts (S) and washers (E). Tighten the bolts with Allen key (I) .



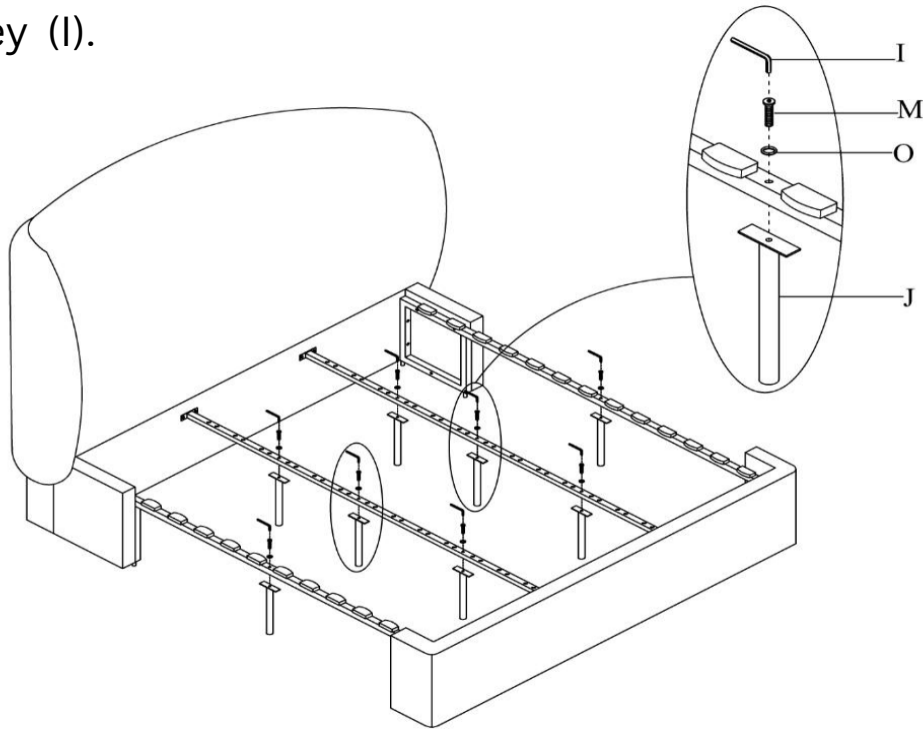
Step 7

A. Attach center support rails (G) to headboard & footboard using bolts (R) and washers (E). Tighten bolts using Allen Key (I).



Step 8

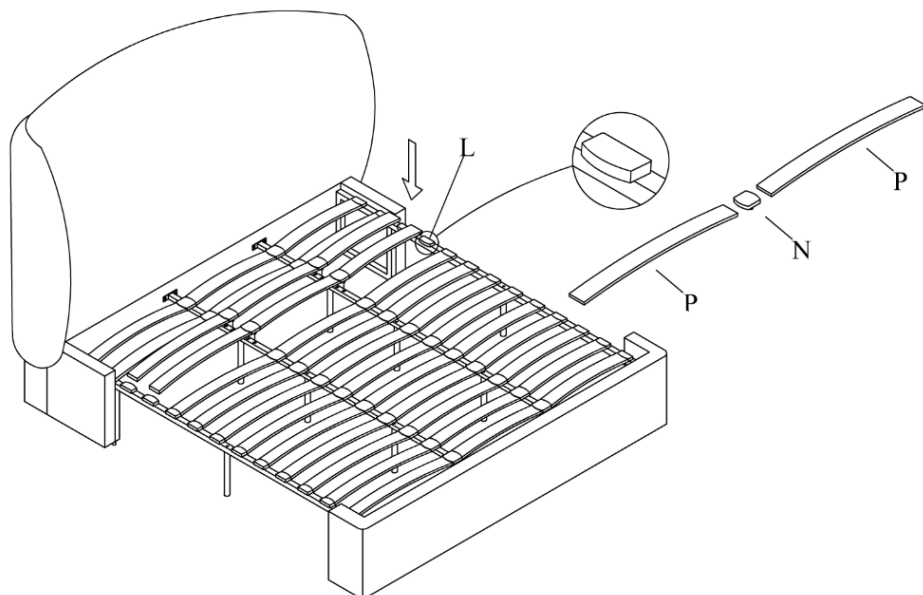
A. Attach steel center support legs (J) to the center support rails (G) using bolt (M) and washer (O). Tighten bolts using Allen Key (I).



Step 9

A. Verify slats system tension slats are installed curved upwards per diagram.

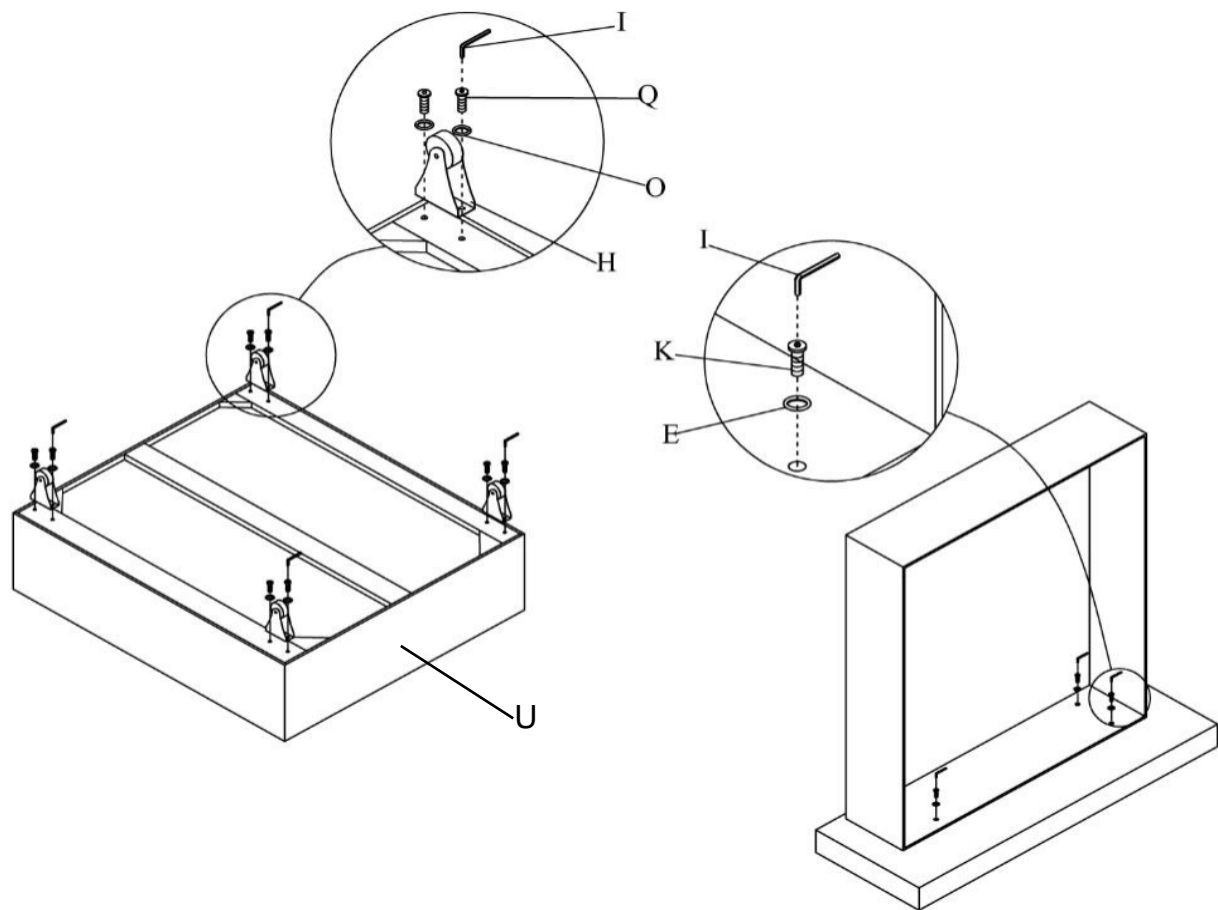
IMPORTANT: Make sure slats are inserted into center clip (N) BEFORE snapping into place.



Step 10

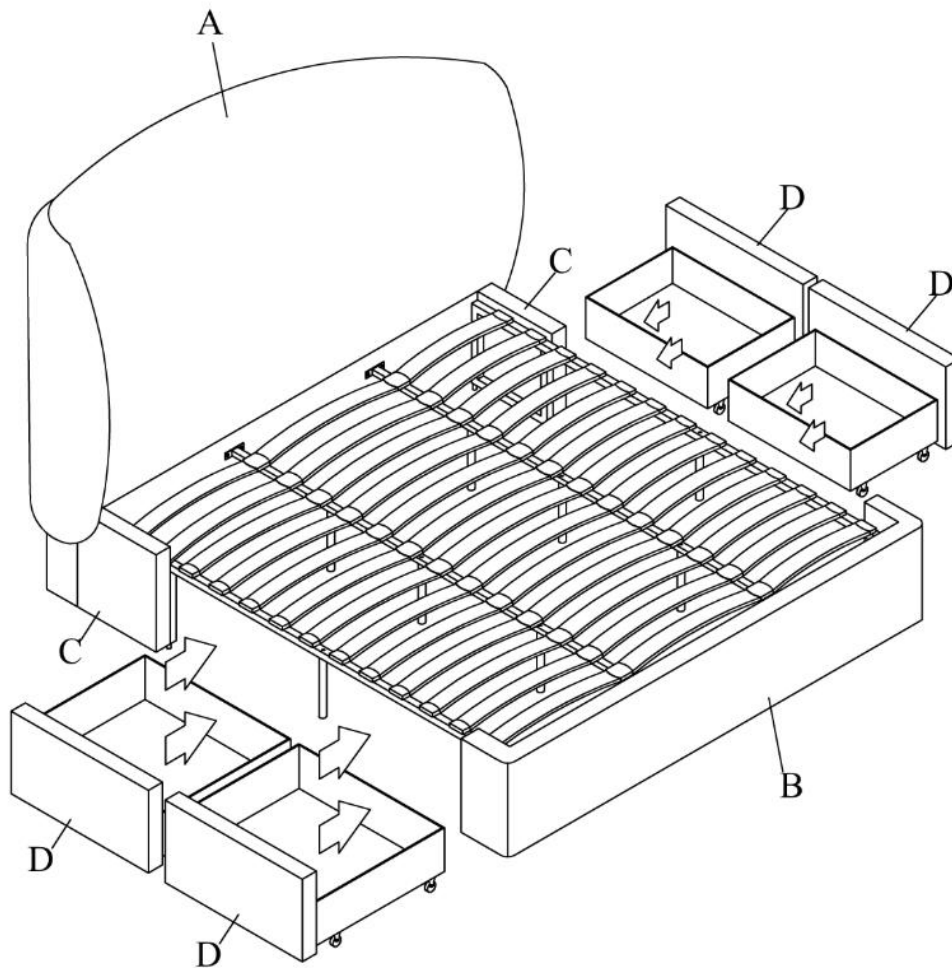
A. Install wheels (H) to drawer boxes (U) , using bolts (Q) and washers (O). Tighten with Allen key (I) .

B. Install drawer box to drawer face (D), using bolts (K) and washers (E). Tighten with Allen key (I) .



Step 11

A. Push the drawers into the bottom of the support frame.



B. Your bed is complete, place mattress on slatroll and enjoy your new bed!

Stuck?

Contact our team @ 516-888-3355

Scan for product care!




TOV



Follow us!

Show your new purchase some love by tagging it on our Instagram!

 @tovfurniture

 516-888-3355

 hello@tovfurniture.com

 www.tovfurniture.com

If the future is female—your furniture should be, too. No mahogany in sight. Sexy settees shaped like lips. Price points for any budget. At TOV, we do things differently.