


TOV



Follow us!

Show your new purchase some love by tagging it on our Instagram!

 @tovfurniture

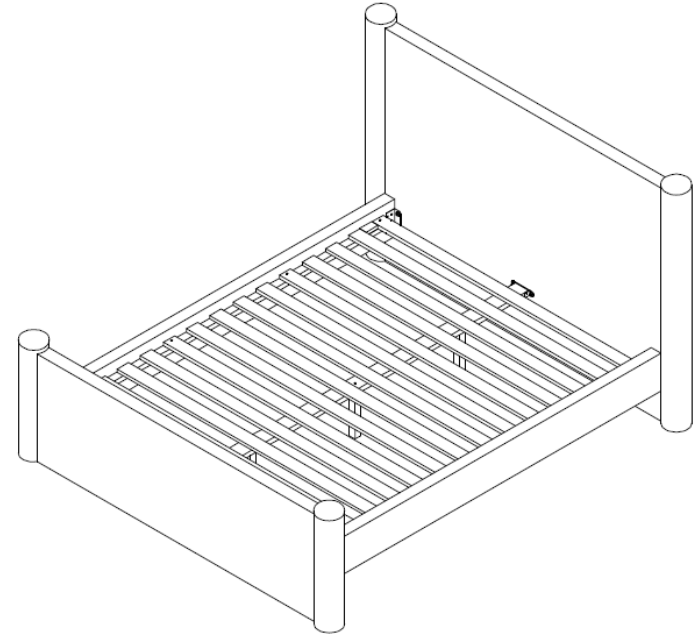
 516-888-3355

 hello@tovfurniture.com

 www.tovfurniture.com

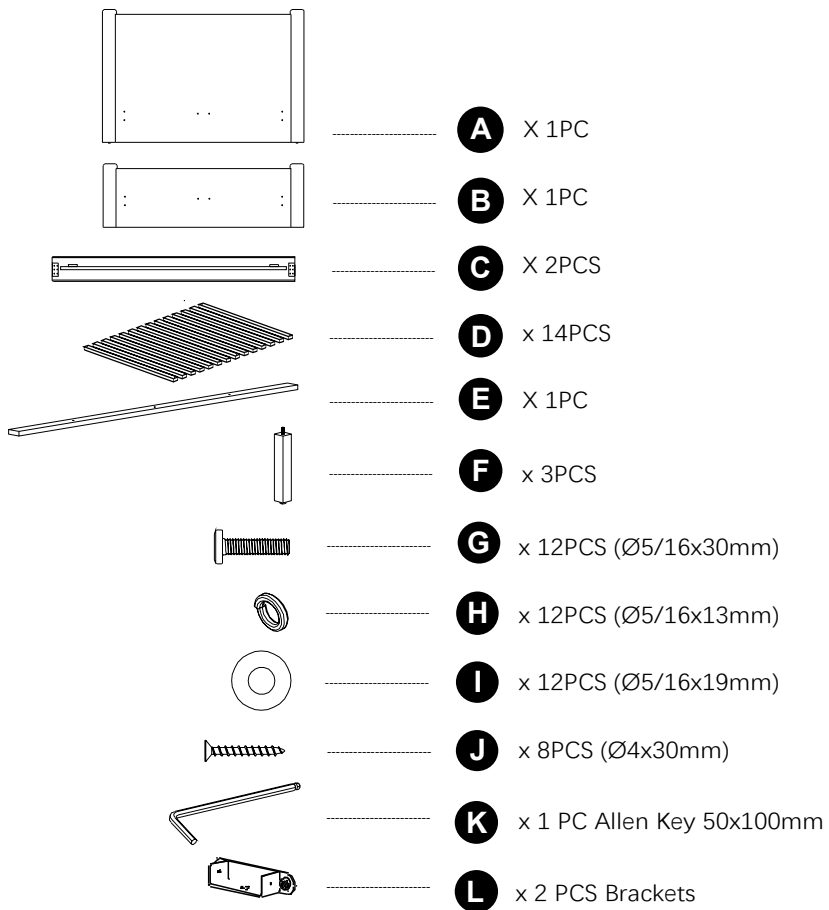
If the future is female—your furniture should be, too. No mahogany in sight. Sexy settees shaped like lips. Price points for any budget. At TOV, we do things differently.

TOV



Athara Queen Bed DON'T BE BORING.

Hardware and Components



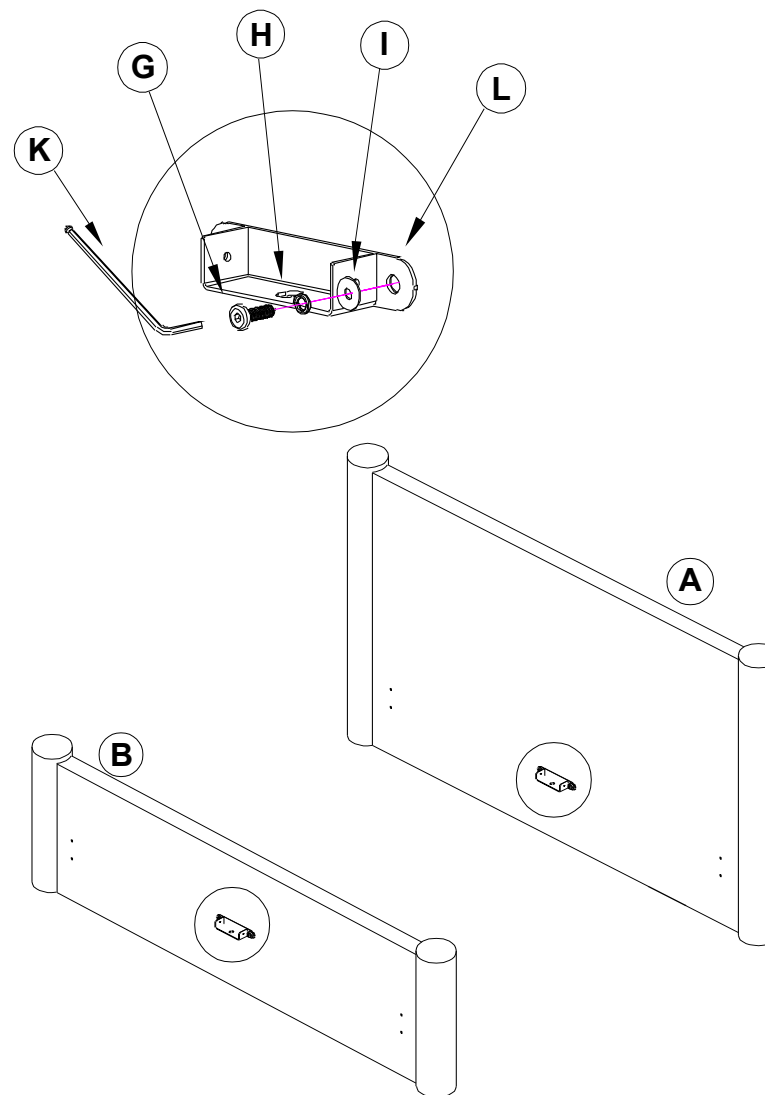
Step 1

Open box of hardware. This hardware box will be a smaller box inside of the main box. Look for the red streamer.



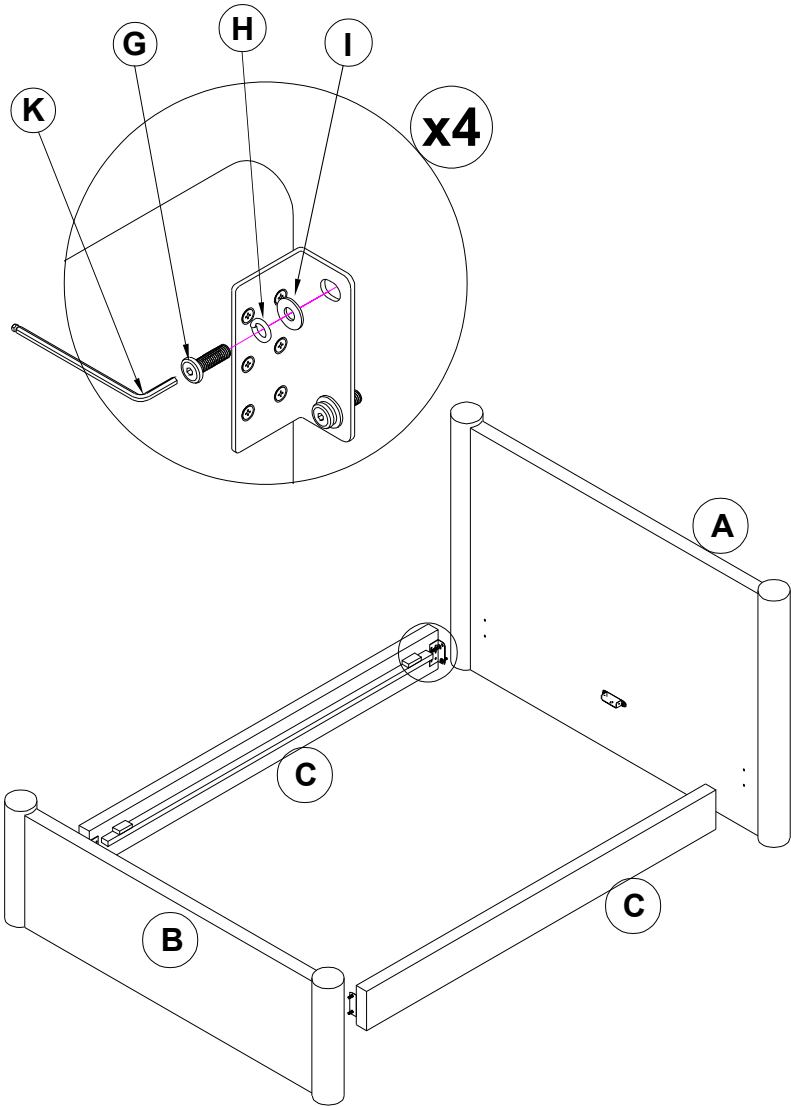
Step 2

- A. Attach the Support Brackets (L) to the Headboard (A) and Footboard (B) using the Bolt (G), Spring Washer (H), and Flat Washer (I).
- B. First, insert the bolts. Then, slot the bracket over the bolts and tighten them with the Allen Key (K).



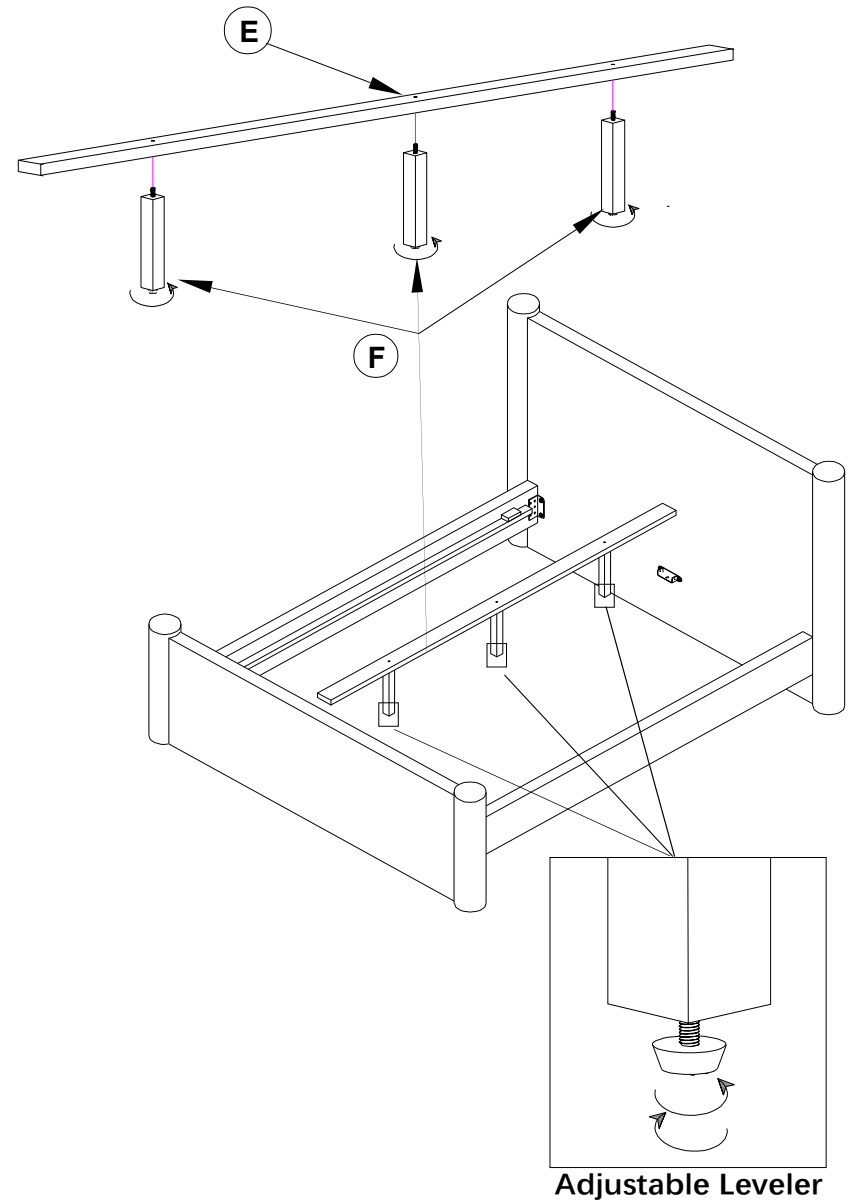
Step 3

- A. Attach Side Rails (C) to the Headboard (A) and Footboard (B) using Bolt (G), Spring Washer (H), and Flat Washer (I).
- B. First twist the screw in, then slot the brackets over the bolts, tighten the bolts with Allen Key (K).



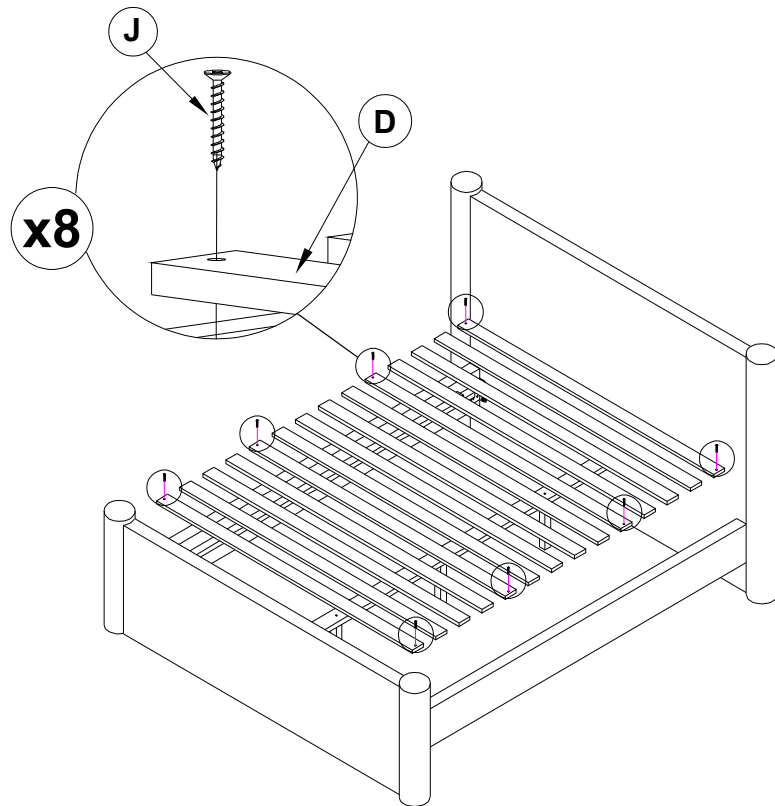
Step 4

- A. Attach the Support Legs (F) to the Support Rail (E), then place the Support Rail onto the Support Brackets.



Step 5

- A. Unroll the Slat Roll (D) and place it onto the bed frame. The slats must be straight and tight.
- B. Secure the slats using Pointed Screws (J) at the head, middle, and foot positions on both sides.



C. Your bed is complete, place mattress on slat roll and enjoy your new bed!

Stuck?

Contact our team @ 516-888-3355

Scan for product care!

