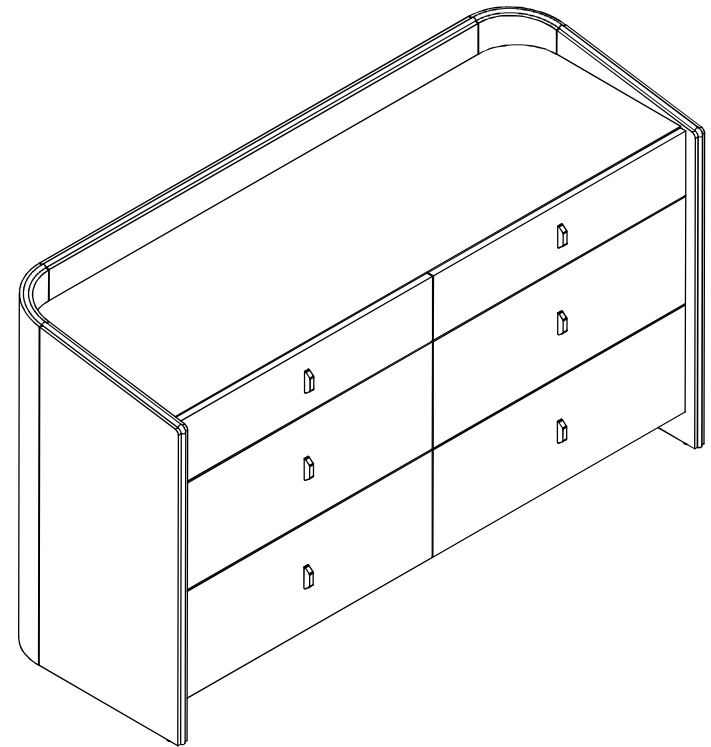
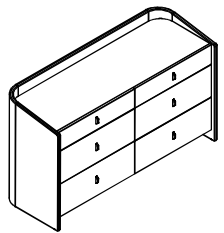


TOV



COLLIN
6 - DRAWER DRESSER
DON'T BE BORING

Hardware and Components



Ⓐ DRESSER x 1 pc



Ⓑ ANTI-TIP KITS (SET) x 2 pcs

Step 1
Open box of hardware and legs.

This hardware box will be a smaller box inside of the main box. Look for the red streamer.





Follow us!

Show your new purchase some love by tagging it on our Instagram!

 @tovfurniture

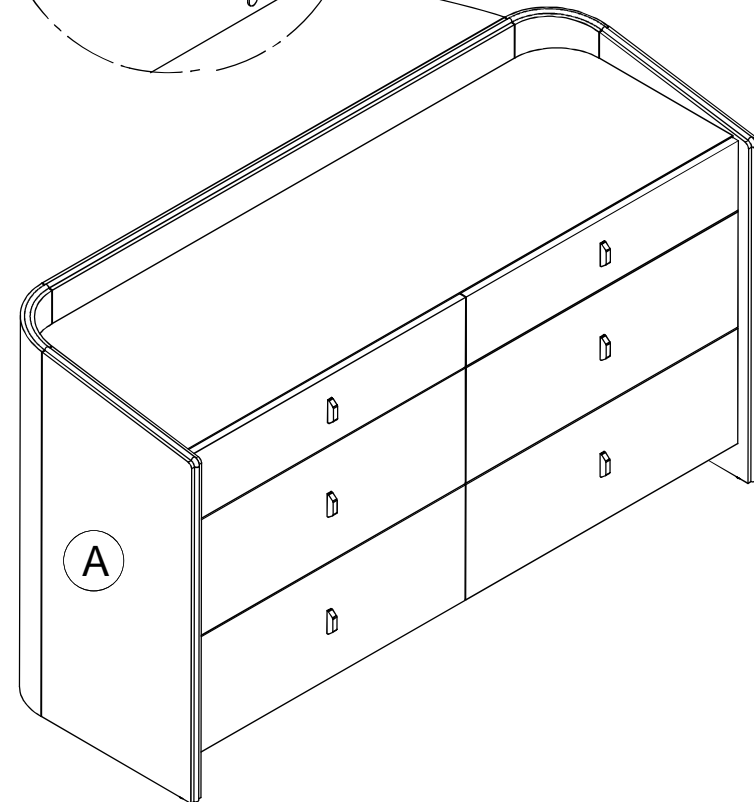
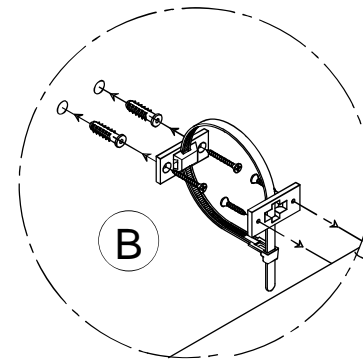
516-888-3355

 hello@tovfurniture.com

www.tovfurniture.com

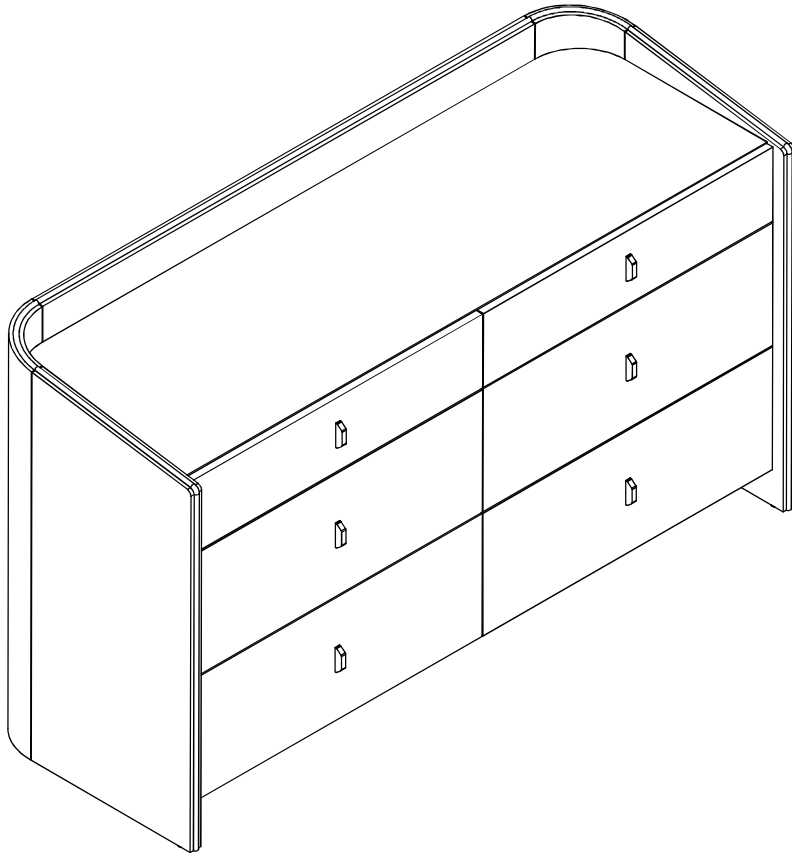
If the future is female—your furniture should be, too. No mahogany in sight . Sexy settees shaped like lips. Price points for any budget . At TOV, we do things differently.

STEP 2



Install the Anti-Tip Kits (B) to the back of the 6 - Drawer Dresser, and attach it securely to the wall.

COMPLETE



Stuck?
Contact our team @ 516-888-3355
Scan for product care!