


TOV



Follow us!

Show your new purchase some love by tagging it on our Instagram!

 @tovfurniture

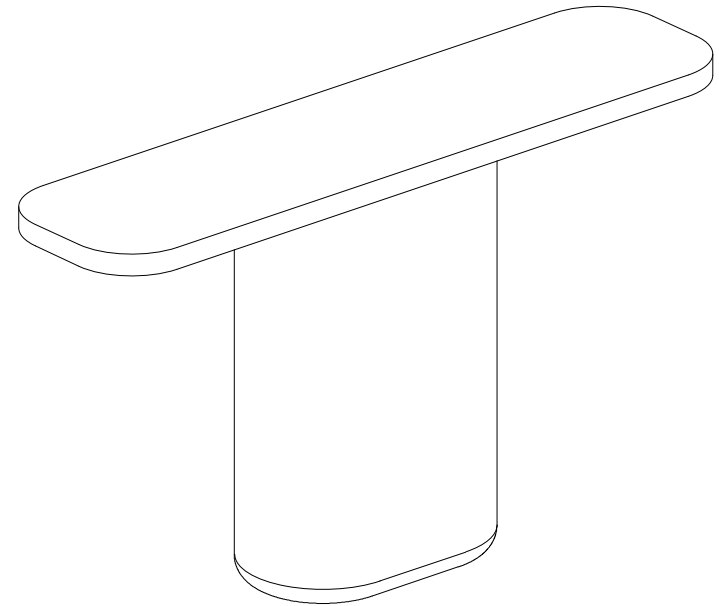
 516-888-3355

 hello@tovfurniture.com

 www.tovfurniture.com

If the future is female—your furniture should be, too. No mahogany in sight. Sexy settees shaped like lips. Price points for any budget. At TOV, we do things differently.

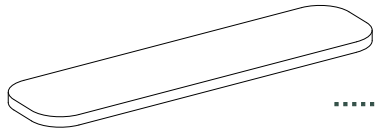
TOV



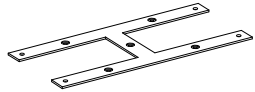
Suraya Console Table

DON'T BE BORING.

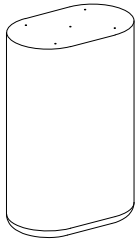
Hardware and Components



..... **A** x1pc Top



..... **B** x1pc Metal Frame



..... **C** x1pc Base



..... **D** x9pcs Bolts (M6 x 15mm)



..... **E** x1pc Allen Key M4

Step 1

Open box of hardware and legs.

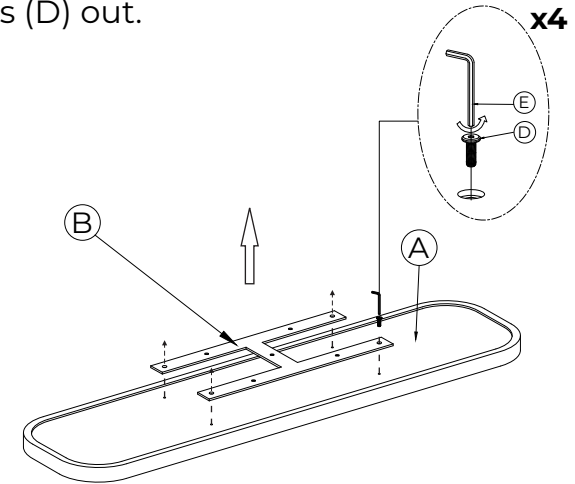
This hardware box will be a smaller box inside of the main box. Look for the red streamer.



Step 2

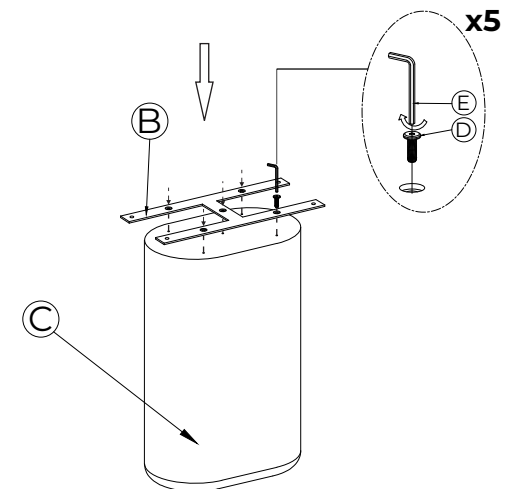
A. The Frame (B) is temporarily fixed on the backside of Table Top (A).

B. Unscrew using Allen Key (E). Take the Frame (B) and the Bolts (D) out.



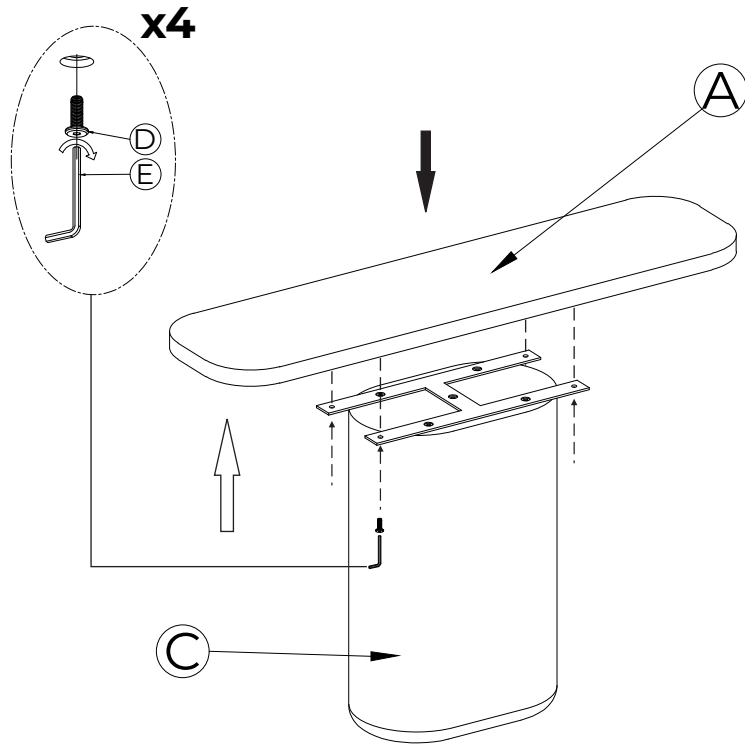
Step 3

Attach the Frame (B) to the Base (C) by using Bolts (D) with Allen Key (E).



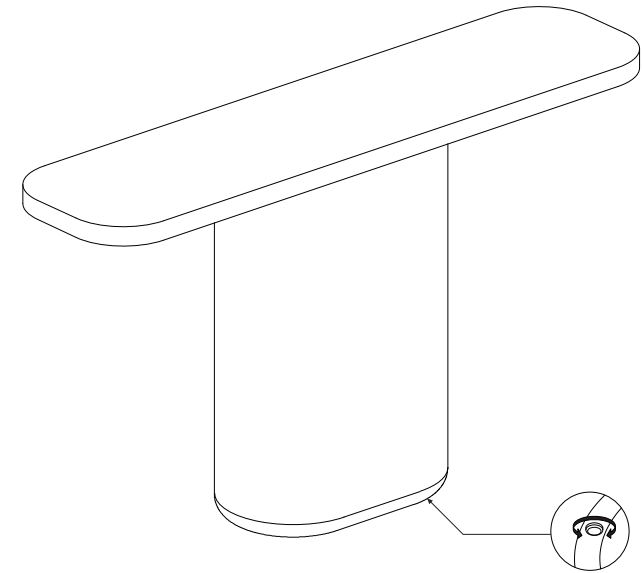
Step 4

Place the Table Top (A) on the Base (C), secure the Frame (B) to Table Top (A) using Bolts (D) and Allen Key (E).



Step 5

- A.** Adjust the leveler on the base if needed.
- B.** Complete!



Stuck?
Contact our team @ 516-888-3355
Scan for product care!

