


TOV



Follow us!

Show your new purchase some love by tagging it on our instagram !

 @tovfurniture

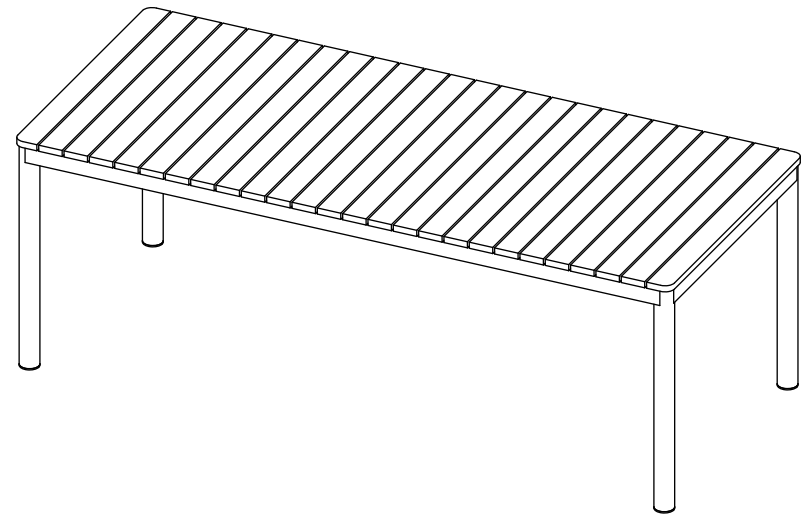
 516-888-3355

 hello@tovfurniture.com

 www.tovfurniture.com

If the future is female—your furniture should be, too. No mahogay in sight. Sexy settees shaped like lips. Price points for any budget. At TOV, we do things differently.

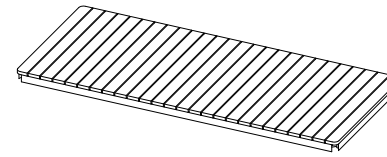
TOV



Sardinia Outdoor Dining Table

DON'T BE BORING.

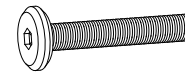
Hardware and Components



..... (A) x 1 pc



..... (B) x 4 pcs



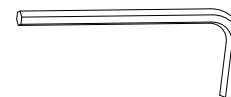
M8x50 (C) x 8 pcs



M8.5x12.5x1.5 (D) x 8 pcs



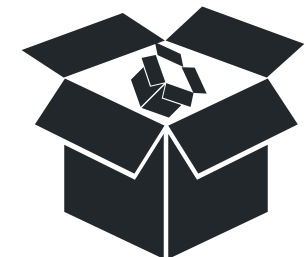
M8x19x2 (E) x 8 pcs



M6x40 (F) x 1 pc

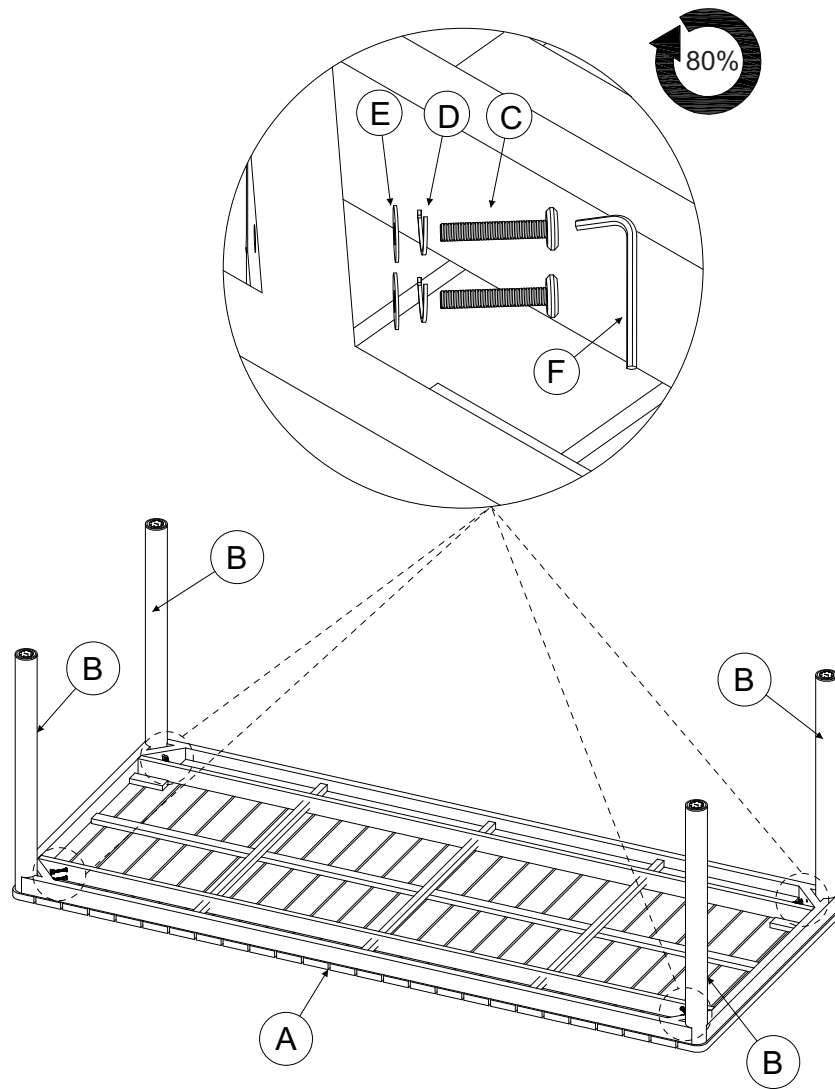
Step 1
Open box of hardware and legs.

This hardware box will be a smaller box inside of the main box. Look for the red streamer.



Step 2:

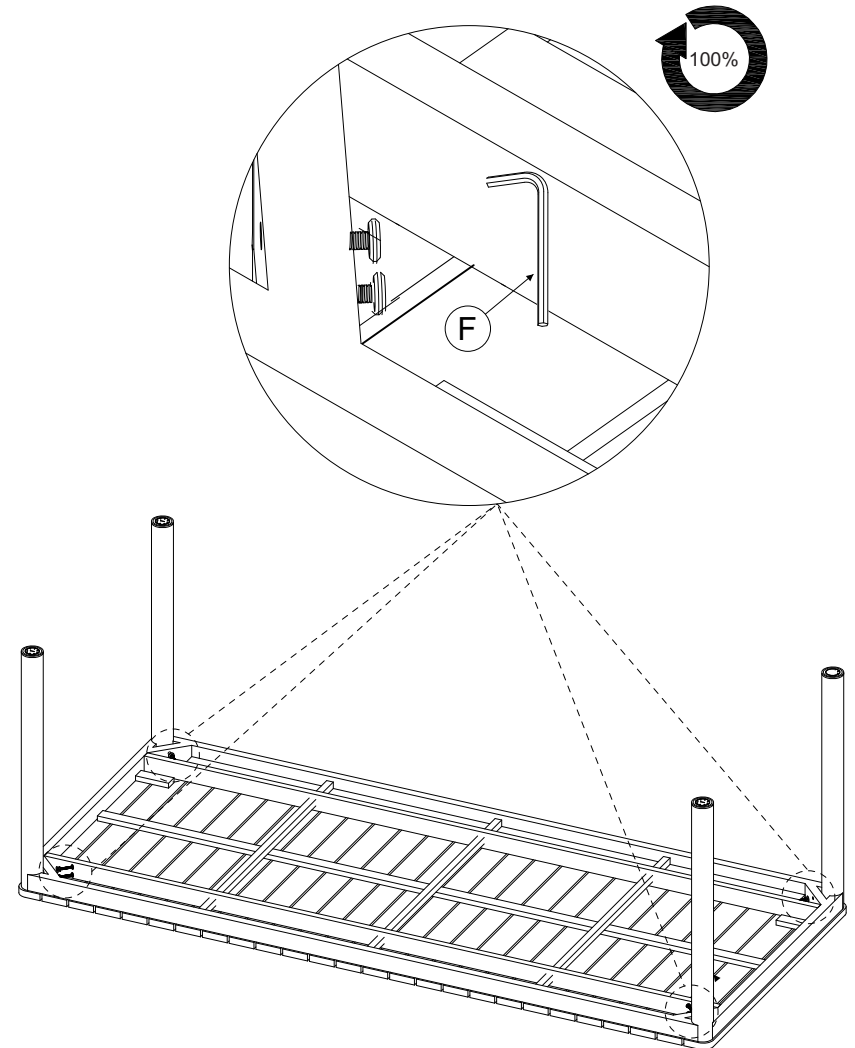
- 1) Place the table top (A) upside down & on a soft flat surface.
- 2) Attach the table legs (B) to the table top (A) using M8x50 hex bolts (C), M8.5 spring washers (D) and M8 washers (E). Then tighten with wrench (F).



Note: Please fasten the screws/bolts at 80%, and fully tighten them after all screw/bolts are fully in place.

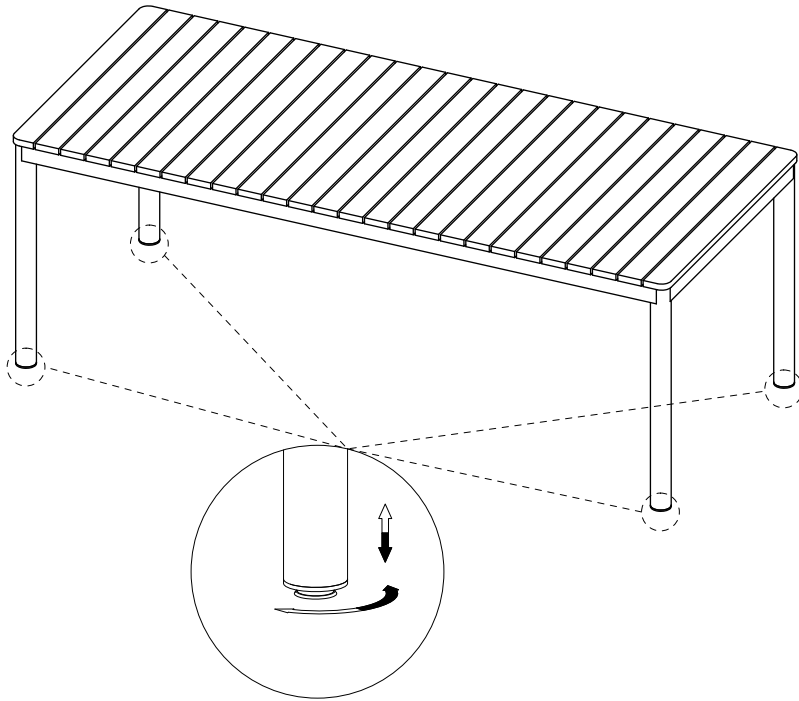
Step 3:

Once all bolts are in place, fully tighten all bolts.



Step 4:

Adjust the levelers on the feet of the legs as needed to get a level table surface.



Stuck ?

Contact our team @ 516-888-3355

Scan for product care !

