



TOV





Follow us!

Show your new purchase some love by tagging it on our Instagram !

 @tovfurniture

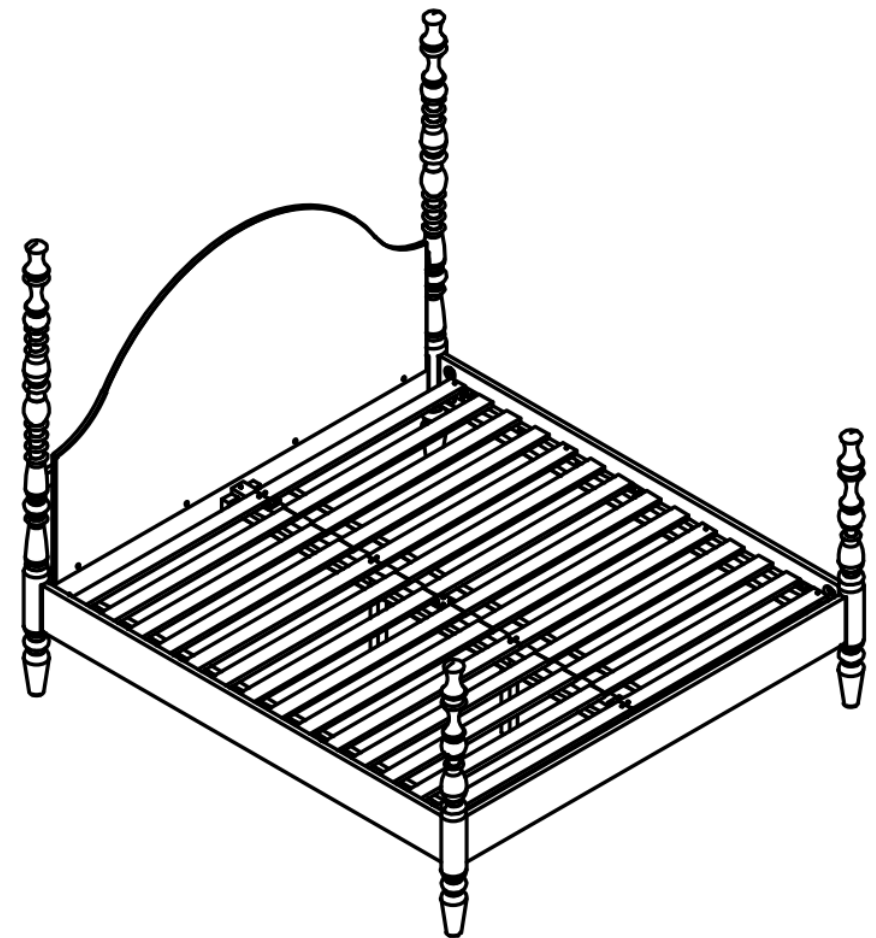
 516-888-3355

 hello@tovfurniture.com

 www.tovfurniture.com

If the future is female—your furniture should be, too. No mahogany in sight. Sexy settees shaped like lips. Price points for any budget. At TOV, we do things differently.

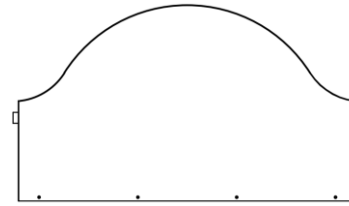
TOV



ROSALIE BED

DON'T BE BORING.

Hardware and Components



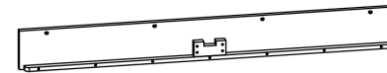
A x1pc



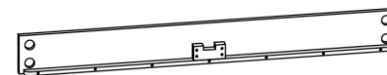
B x2pcs



C x2pcs



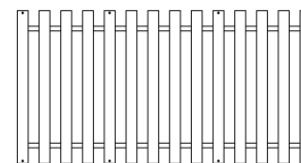
D x1pc



E x1pc



F x2pcs



H x2pcs



I x1pc

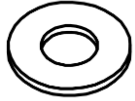


J x2pcs

Hardware and Components



----- **K** x4pcs



----- **L** x4pcs



----- **M** x4pcs



----- **N** x18pcs



----- **O** x18pcs



----- **P** x18pcs



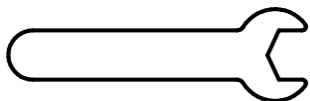
----- **Q** x18pcs



----- **R** x18pcs

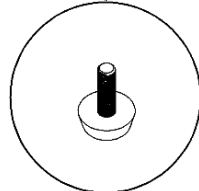
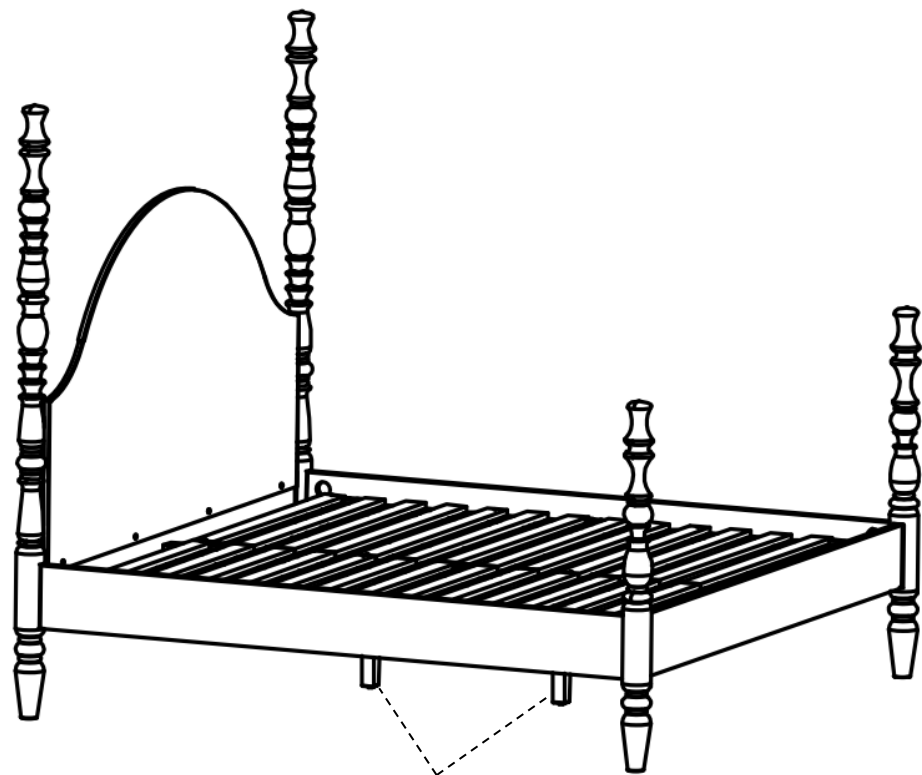


----- **S** x1pc



----- **T** x1pc

FINISH



Adjust levelers on floating center legs to allow for a 2-3mm clearance

Stuck?
Contact our team @ 516-888-3355
Scan for product care!



STEP 1

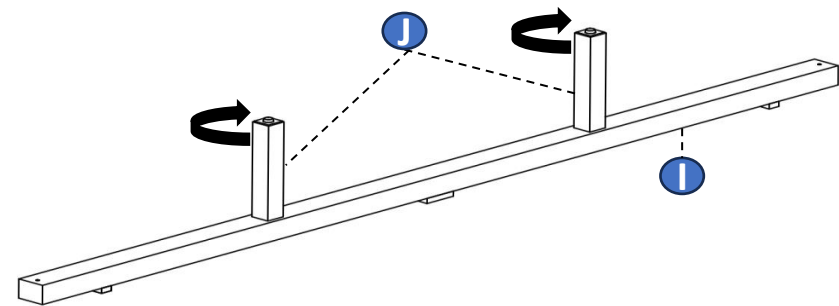
Open box of hardware and legs.

This hardware box will be a smaller box inside of the main box. Look for the red streamer.



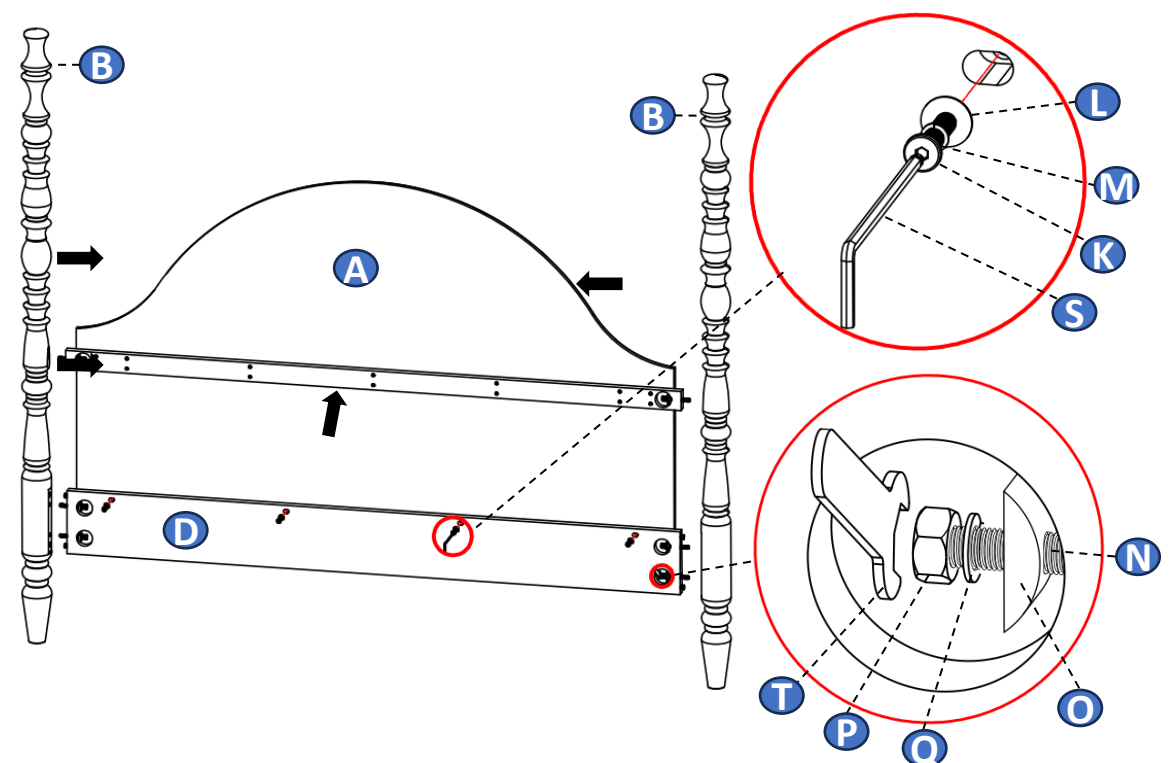
STEP 2

1) Secure the legs (J) to the center support bar (I).



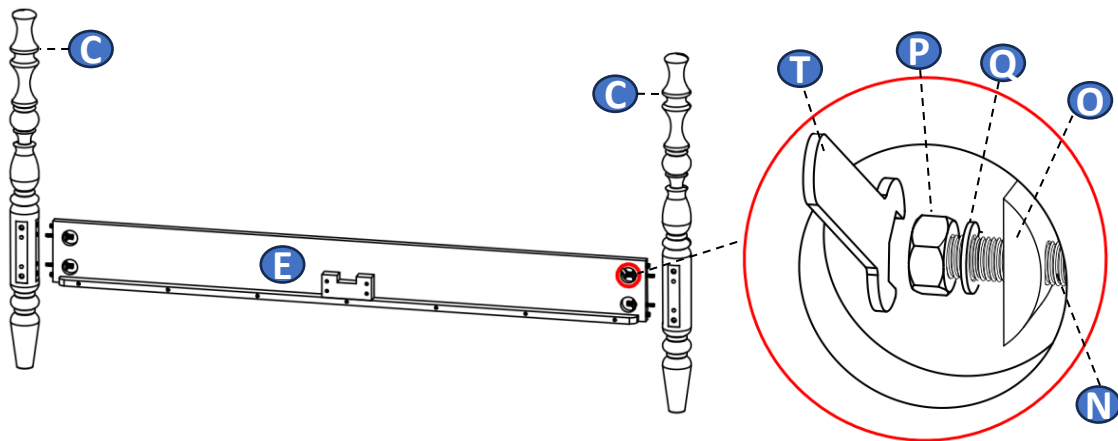
STEP 3

1) Insert hardware into the holes on rails (D) and headboard (A) and legs (B) as shown.



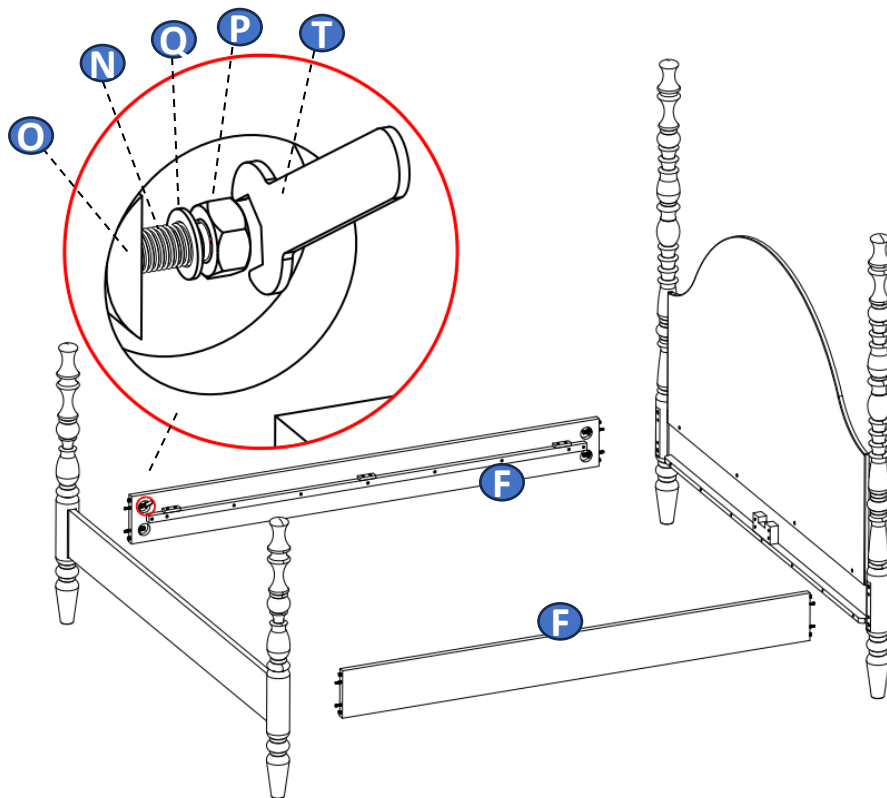
STEP 4

1) Attach both end of rails (E) to legs (C) with hardware (N), (O), (Q) & (P) by wrench (T).



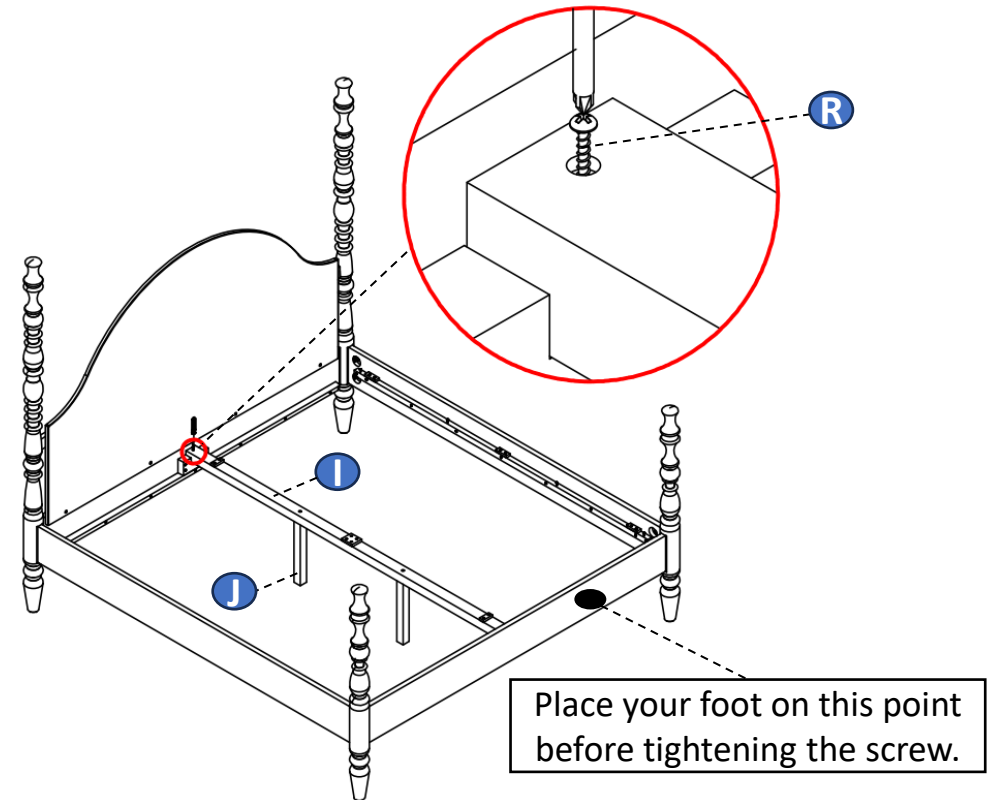
STEP 5

1) Attach both end of side rails (F) to headboard and footboard with hardware (N), (O), (Q) & (P) by wrench (T).



STEP 6

1) Attach the center support bar (I) with hardware (R) as shown.



STEP 7

1) Put on the bed slats (H) and secure with hardware (R).

