


TOV



Follow us!

Show your new purchase some love by tagging it on our Instagram!

 @tovfurniture

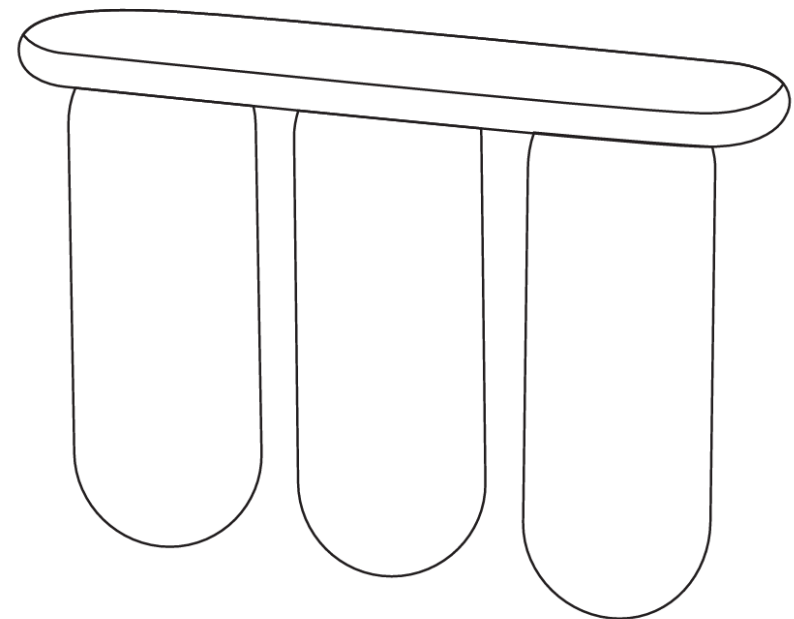
 516-888-3355

 hello@tovfurniture.com

 www.tovfurniture.com

If the future is female—your furniture should be, too. No mahogany in sight. Sexy settees shaped like lips. Price points for any budget. At TOV, we do things differently.

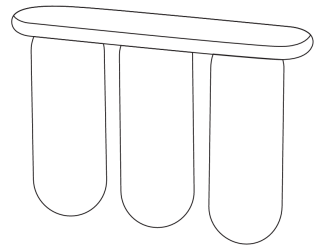
TOV



Rahul Console Table

DON'T BE BORING

Hardware and Components



..... **A** Console x 1 Pcs



..... **B** MDF x 1 Pcs



..... **C** Allen Bolt x 3 Pcs



..... **D** Washer x 3 Pcs



..... **E** Allen-Key x 1 Pcs

Step 1

Open box of hardware and legs.

This hardware box will be a smaller box inside of the main box. Look for the red streamer.



Step 2

A. Open the product from the packet and unwrap the foam sheet wrapping.

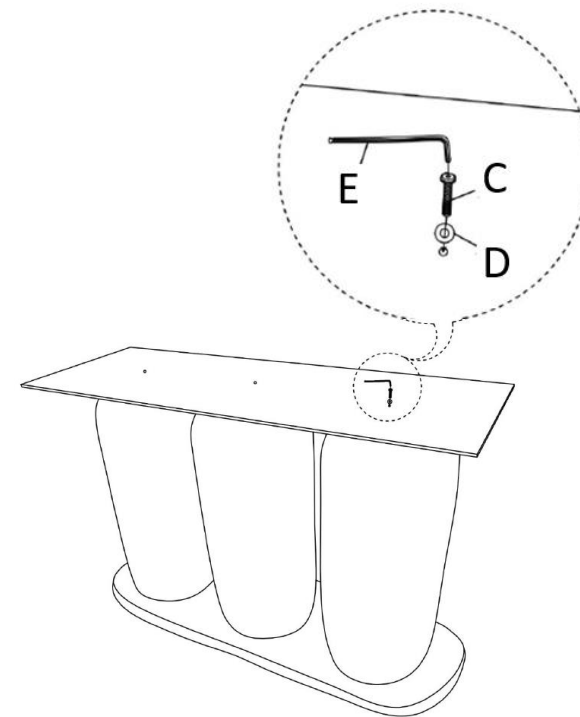
B. Remove all the hardware from the packet.

C. Place the dining Console top upside down on a carpet or padded area to avoid scratching.

D. Unscrew all the 3 bolts using the allen-key provided.

E. Remove the MDF attached to the leg of the Console Table.

F. Flip back the Console table to the right position



Stuck?

Contact our team @ 516-888-3355

Scan for product care!

