


# TOV



## Follow us!

Show your new purchase some love by tagging it on our Instagram!

 @tovfurniture

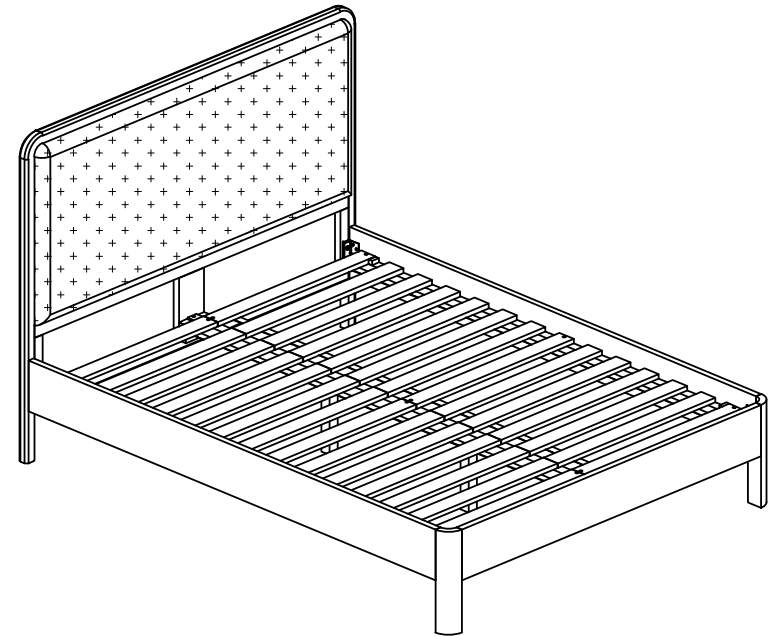
 516-888-3355

 hello@tovfurniture.com

 www.tovfurniture.com

If the future is female—your furniture should be, too. No mahogany in sight. Sexy settees shaped like lips. Price points for any budget. At TOV, we do things differently.

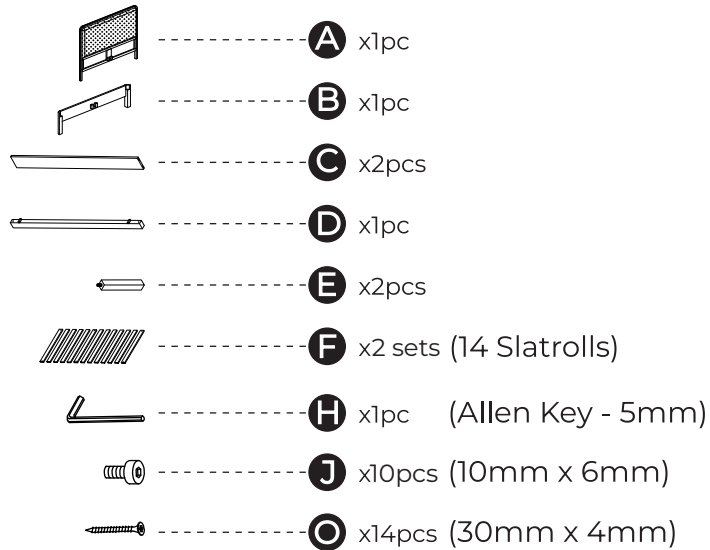
# TOV



## Rafaelle Bed

**DON'T BE BORING.**

# Hardware and Components



## Step 1

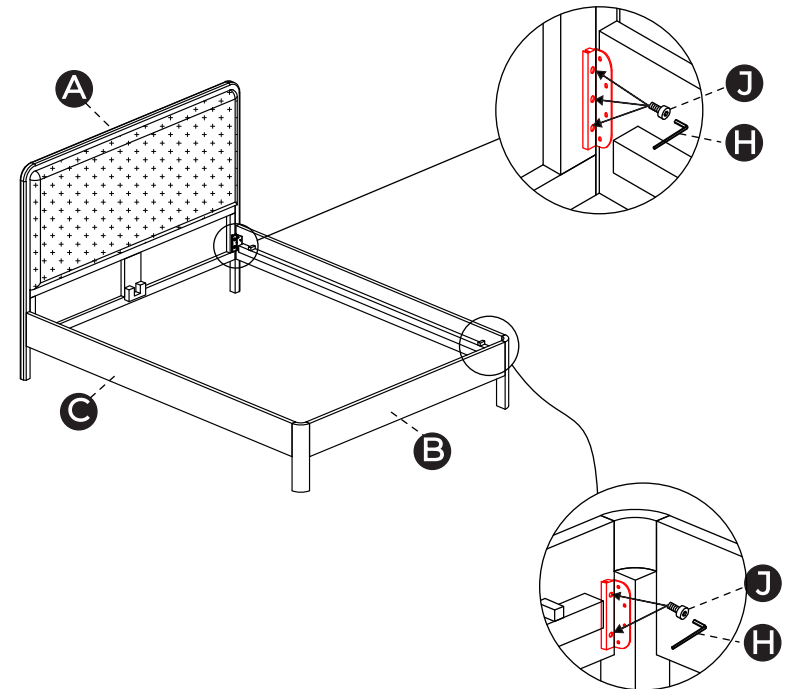
Open box of hardware and legs.

This hardware box will be a smaller box inside of the main box. Look for the red streamer.



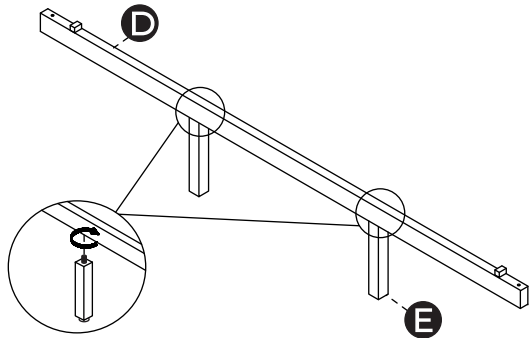
## Step 2

- A.** Layout Headboard (A), Siderails (C), and Footboard (B) as shown below.
- B.** Connect the Siderails (C) to the Headboard (A) using Bolts (J) and Allen Key (H).
- C.** Connect the Siderails (C) to the Footboard (B) using Bolts (J), and Allen Key (H).



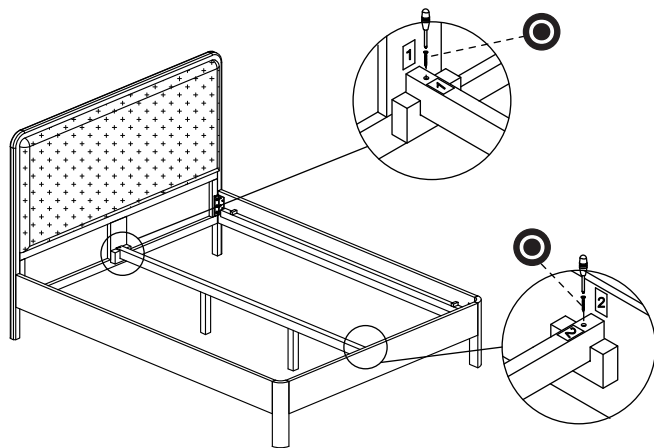
### Step 3

- A.** Rotate the 2 Support Legs (E) to the Support Bar (D)  
Ensure all legs are tight.



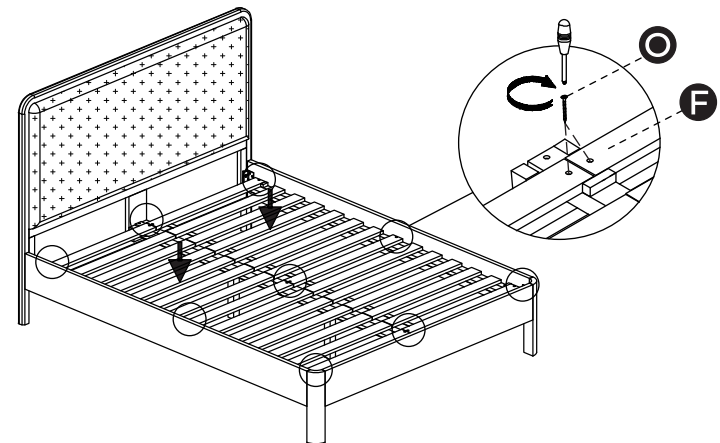
### Step 4

- A.** Attach the Support Bar (D) into bracket on the  
Headboard (A) and Footboard (B) using Screw (O)  
with screw driver (Not included)



### Step 5

- A.** Unroll Slatrolls (F) and place on bedframe.  
Slat need to be straight and tight.
- B.** Secure the slats in place by pulling the last slat  
over the wooden block on center rail and siderail  
by using Screw (O) with screw driver (Not Included).



- C.** Your bed is complete, place mattress  
on slatroll and enjoy your new bed!

Stuck?

Contact our team @ 516-888-3355

Scan for product care!

