

TOV



Follow us!

Show your new purchase some love by tagging it on our Instagram !

 @tovfurniture

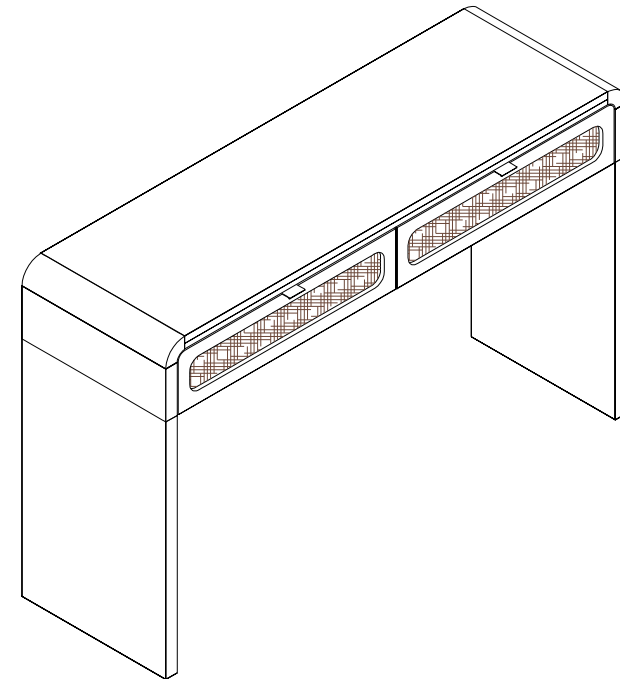
 516-888-3355

 hello@tovfurniture.com

 www.tovfurniture.com

If the future is female—your furniture should be, too. No mahogany in sight. Sexy settees shaped like lips. Price points for any budget. At TOV, we do things differently.

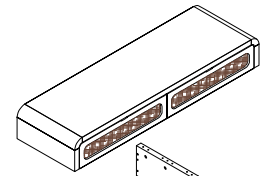
TOV



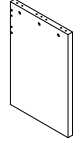
Patty Console

DON'T BE BORING

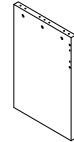
Hardware and Components



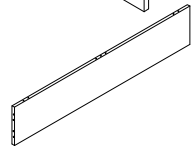
----- (A) x1pc



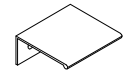
----- (B) x1pc



----- (C) x1pc



----- (D) x1pc



----- (E) x2pc



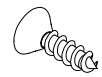
----- (F) x13pc



----- (G) x13pc



----- (H) x16pc



----- (I) x4pc



----- (J) x17pc

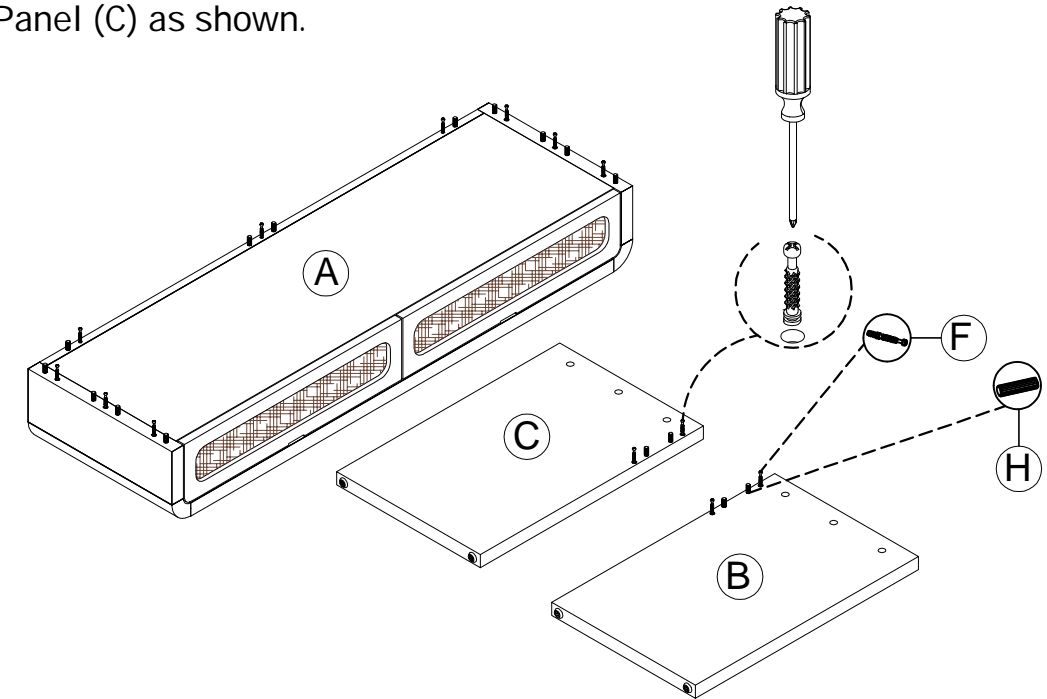
Step 1

Open components box of Table Top and Legs.



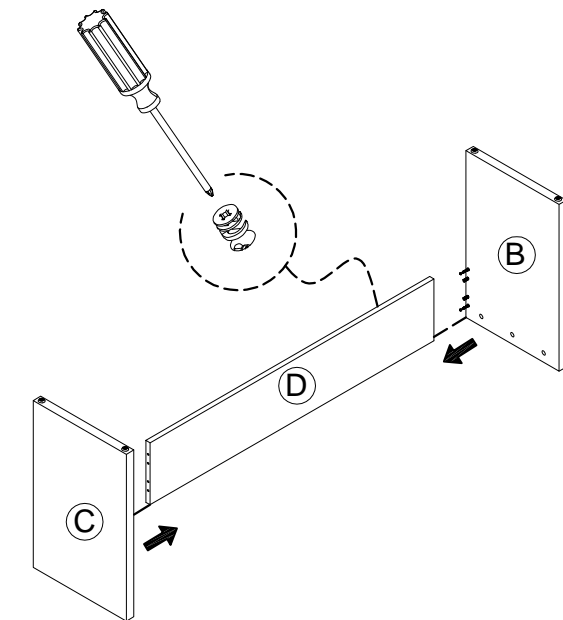
Step 2

1. Install 9 camlocks (F) and 12 dowels (H) to the tabletop (A) as illustrated.
2. Install 2 camlocks (F) and 2 dowels (H) to each Right Panel (B) and Left Panel (C) as shown.



Step 3

Connect (B) and (C) with (D) Panel then Insert camlock (G) to secure.



Stuck?

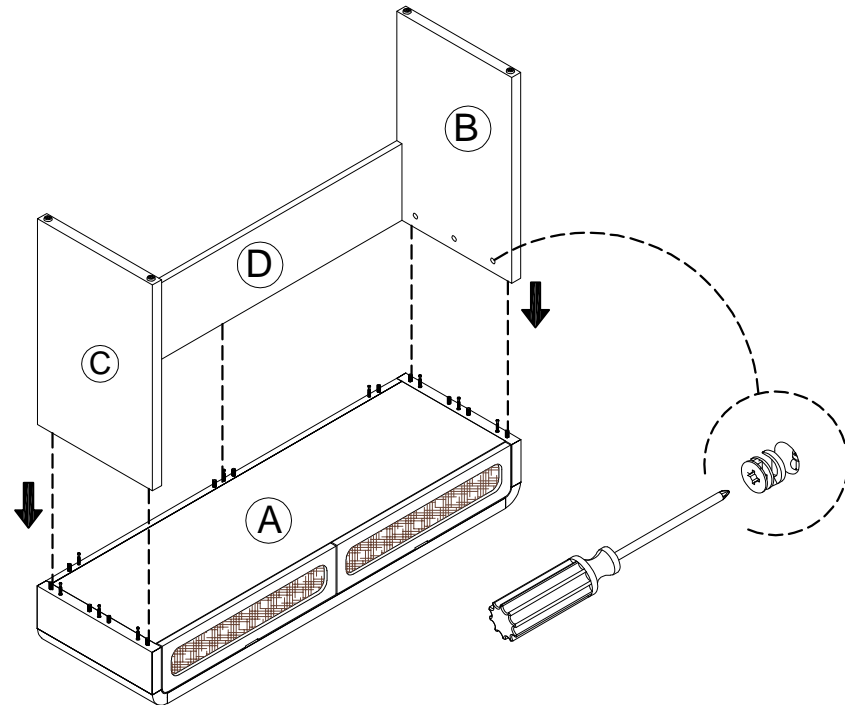
Contact our team @ 516-888-3355

Scan for product care!



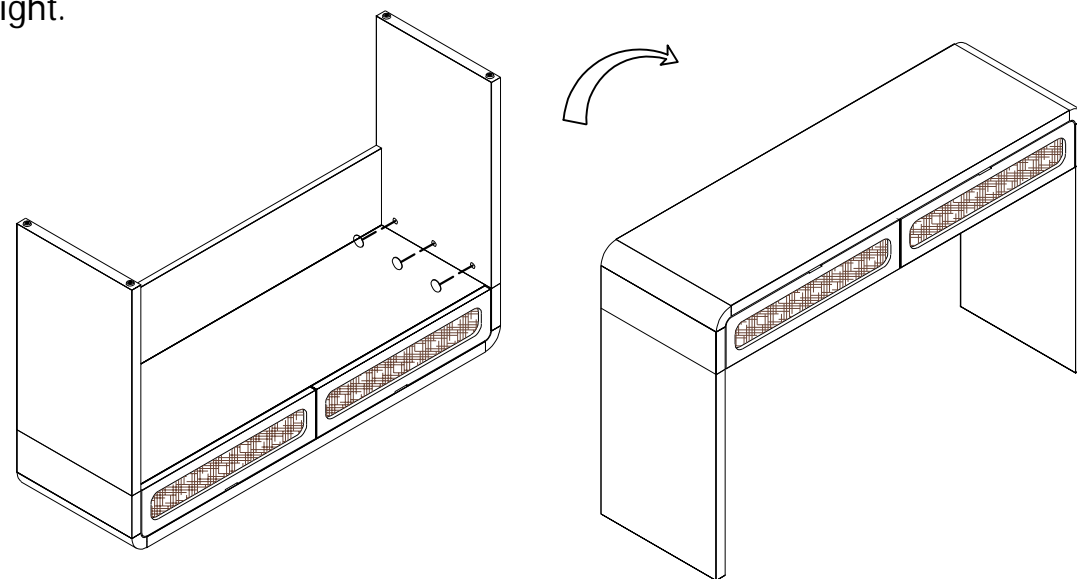
Step 4

Put unit (B)(C)(D) down to connect with Table Top (A) then Secure by Camlock (G).



Step 5

Use sticker (J) to cover all the cam (F) holes then Put the product up right.

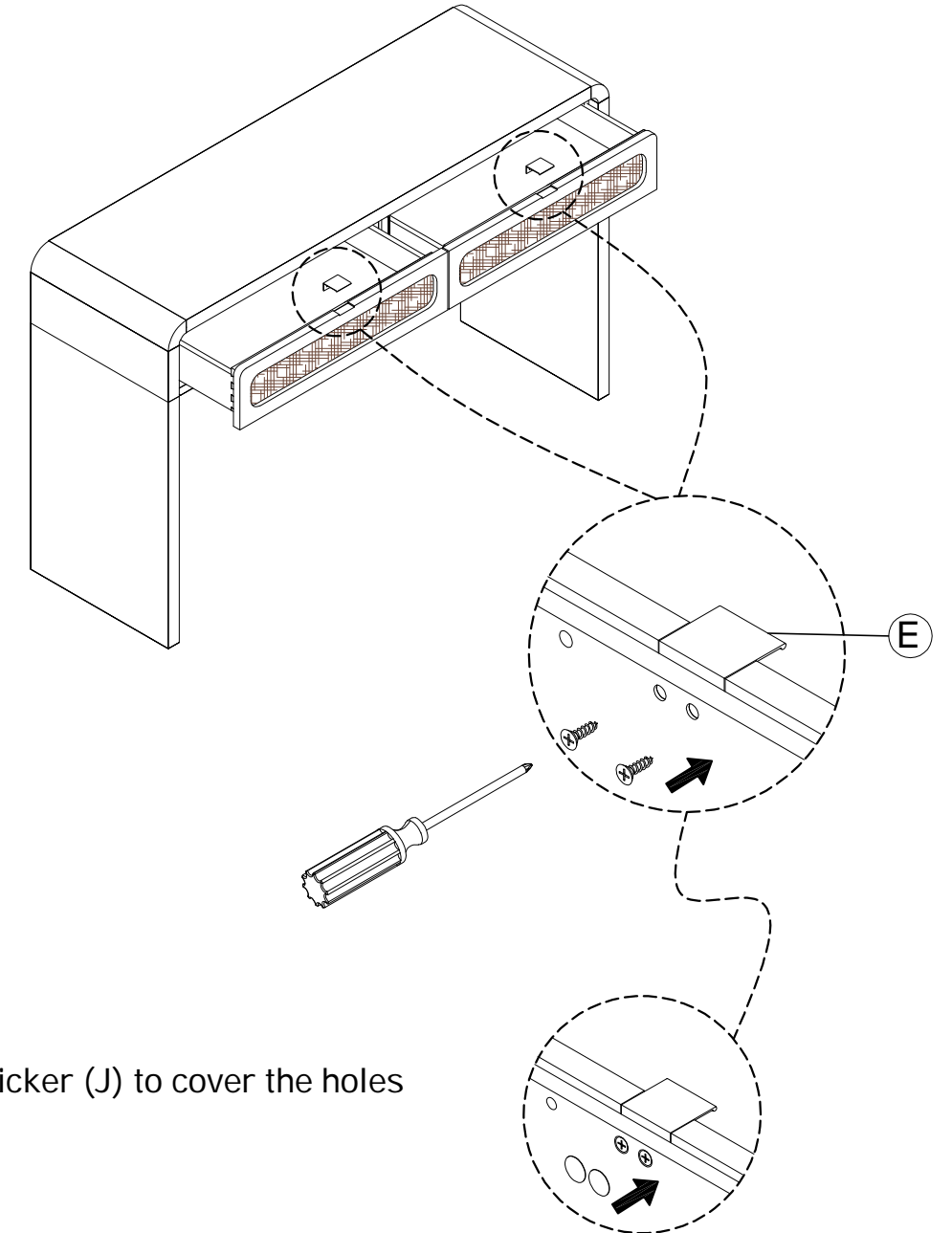


Stuck?
Contact our team @ 516-888-3355
Scan for product care!



Step 6

Using Screw (I) to install handles (E) as shown.



Using sticker (J) to cover the holes

Stuck?
Contact our team @ 516-888-3355
Scan for product care!

