



TOV





Follow us!

Show your new purchase some love by tagging it on our Instagram !

 @tovfurniture

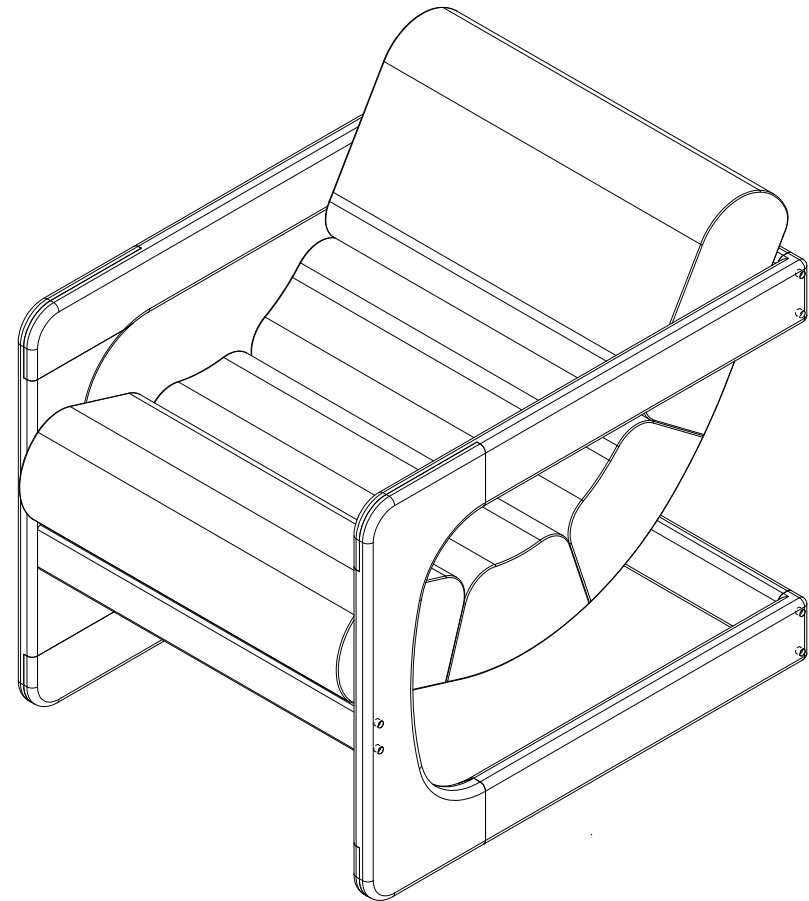
 516-888-3355

 hello@tovfurniture.com

 www.tovfurniture.com

If the future is female—your furniture should be, too. No mahogany in sight. Sexy settees shaped like lips. Price points for any budget. At TOV, we do things differently.

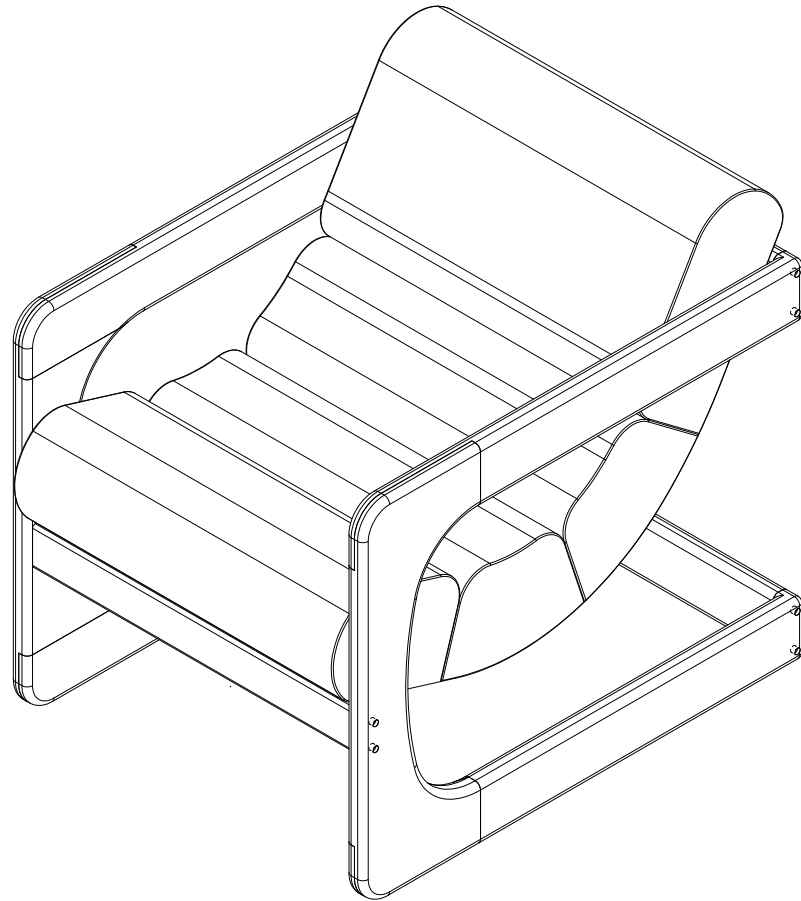
TOV



PALMA ACCENT CHAIR

DON'T BE BORING.

FINISH



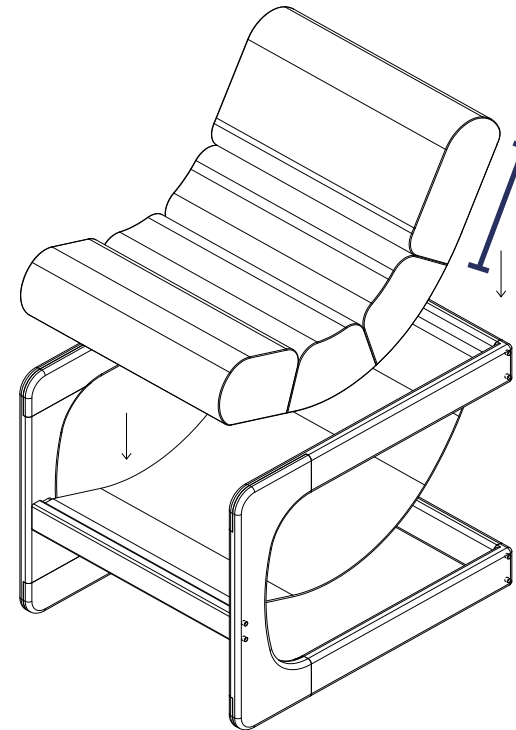
STEP 1

Open box of hardware and legs.

This hardware box will be a smaller box inside of the main box. Look for the red streamer.

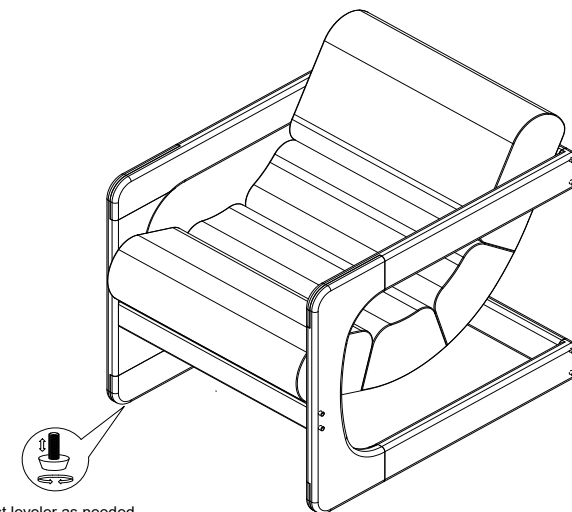


STEP 2



Make sure the largest section of the cushion is aligned towards the back-side of the chair frame, and that the velcro strips line up.

STEP 3



Stuck?
Contact our team @ 516-888-3355
Scan for product care!

