

TOV




Follow us!

Show your new purchase some love by tagging it on our Instagram!

 @tovfurniture

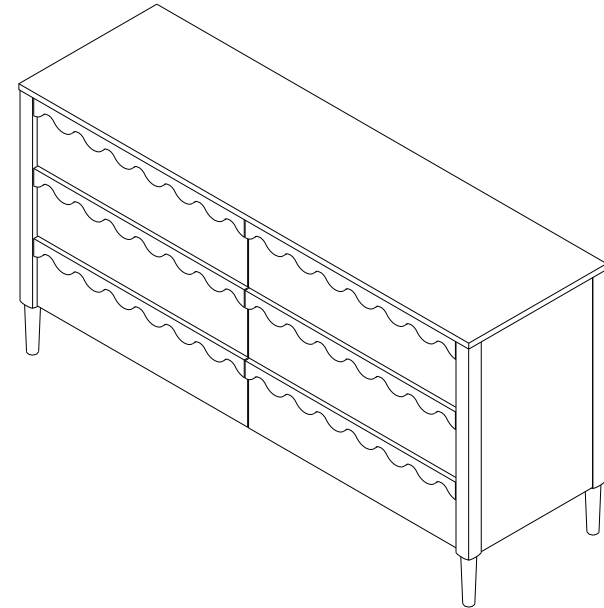
 516-888-3355

 hello@tovfurniture.com

 www.tovfurniture.com

If the future is female—your furniture should be, too. No mahogany in sight. Sexy settees shaped like lips. Price points for any budget. At TOV, we do things differently.

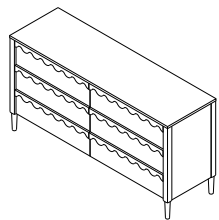
TOV



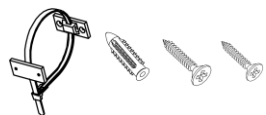
Oodle Dresser

DON'T BE BORING.

Hardware and Components



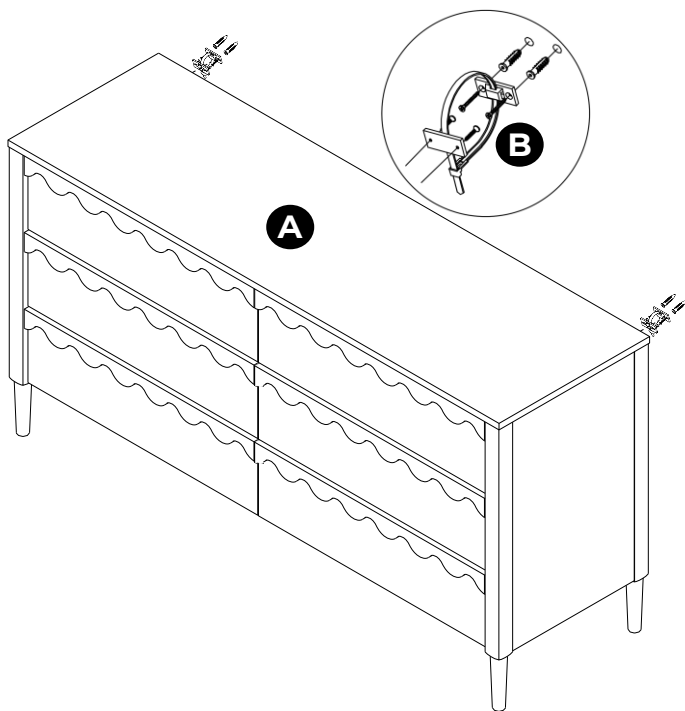
----- **A** x 1pc



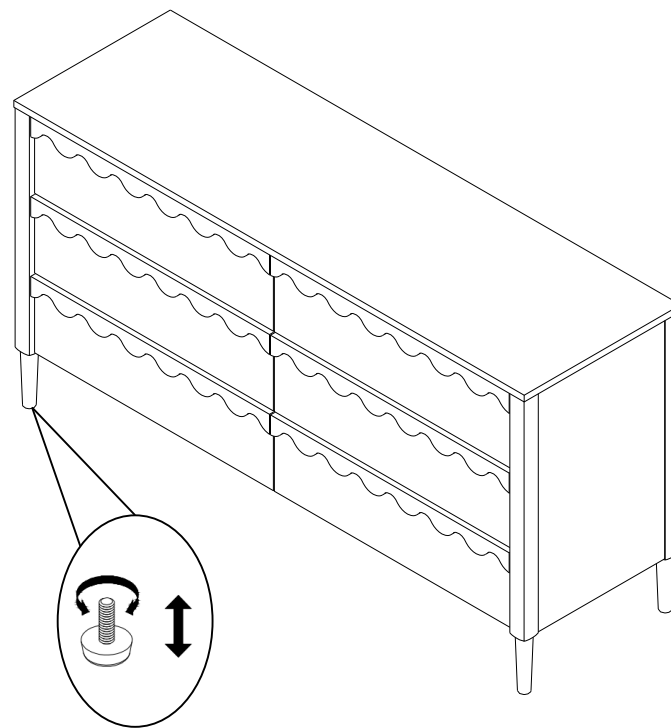
----- **B** x 2 Anti-tip kits (set)

Step 1

Install the Anti-Tip Kits (B) to the back of the Dresser, and attach it securely to the wall.



Step 2



Adjust leveler as needed.

Stuck?
Contact our team @ 516-888-3355

Scan for product care!

