


TOV



Follow us!

Show your new purchase some love by tagging it on our Instagram!

 @tovfurniture

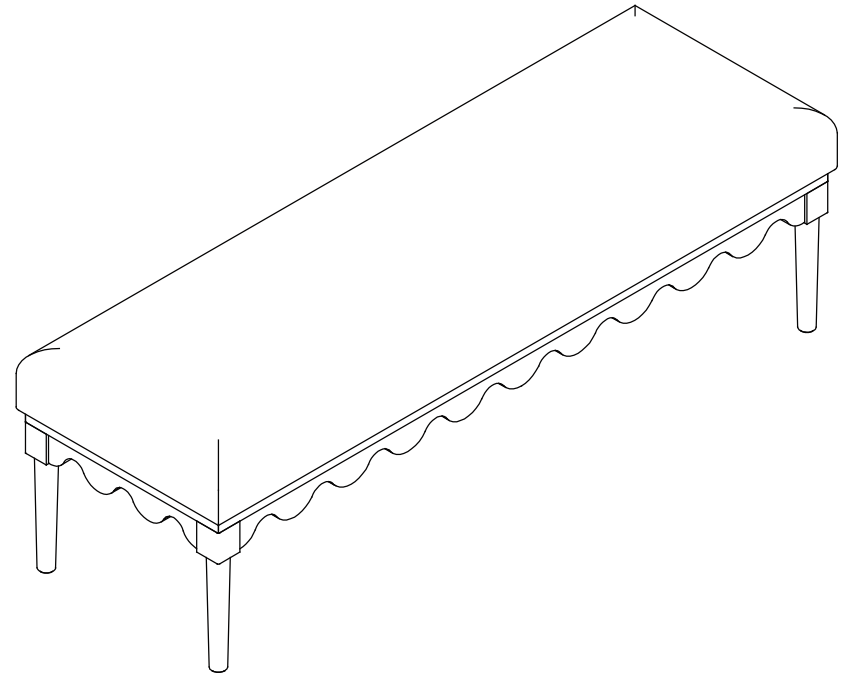
 516-888-3355

 hello@tovfurniture.com

 www.tovfurniture.com

If the future is female- your furniture should be, too. No mahogany in sight. Sexy settees shaped like lips. Price points for any budget. At TOV, we do things differently.

TOV

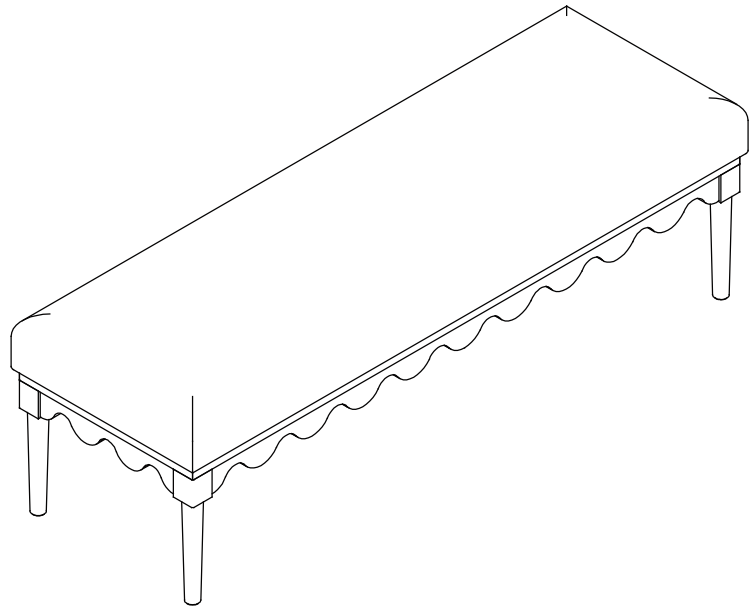


**OODLE BENCH**

**DON'T BE BORING.**



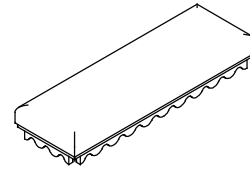
FINISH



Stuck?  
Contact our team @ 516-888-3355  
Scan for product care!

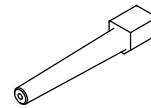


## Hardware and Components



A

x1pc



B

x4pcs



C

M8x60

x8pcs



D

Ø8.5x13

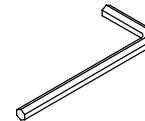
x8pcs



E

Ø9.5x20

x8pcs



F

N4

x1pc

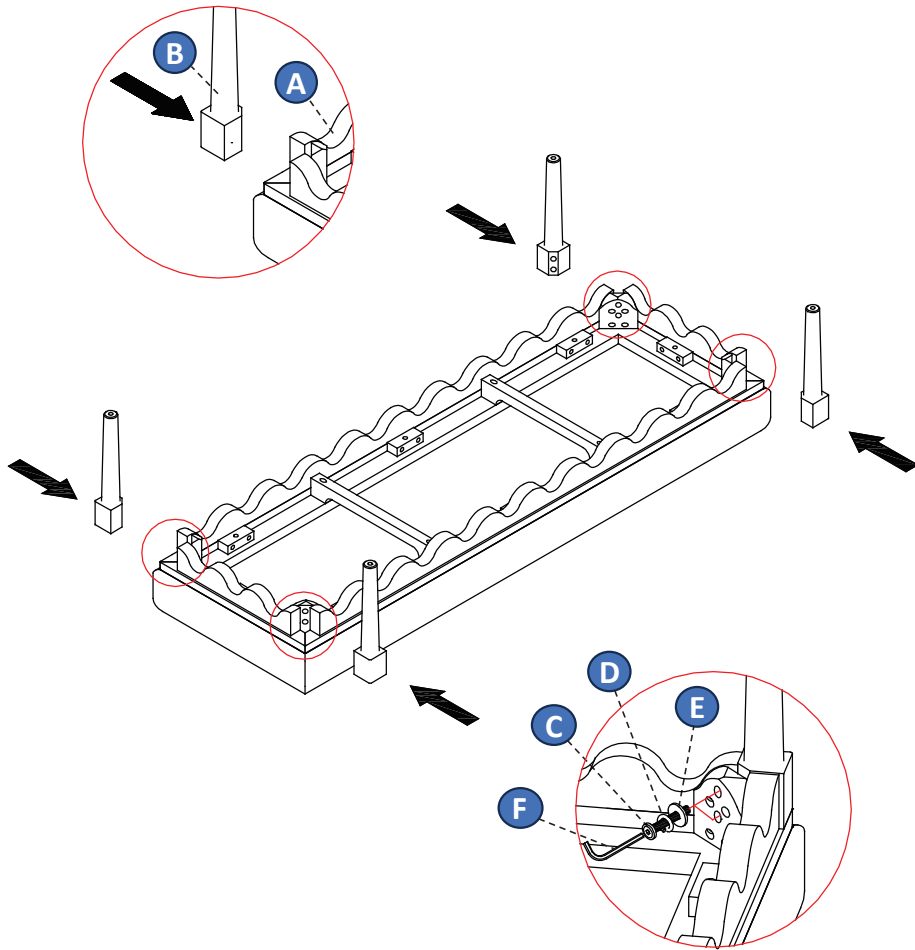
### STEP 1

Open box of hardware and legs.  
This hardware box will be a smaller  
box inside of the main box. Look for  
the red streamer.



### STEP 2

Attach the leg (B) to the corner of the bench (A). Use bolts (C), lock washers (D), flat washers (E), and the allen key (F) to tighten the leg.  
Repeat for remaining legs.



### STEP 3

Turn the bench over and adjust the levelers on the bottom of leg if  
necessary to level the bench. Assembly is completed.

