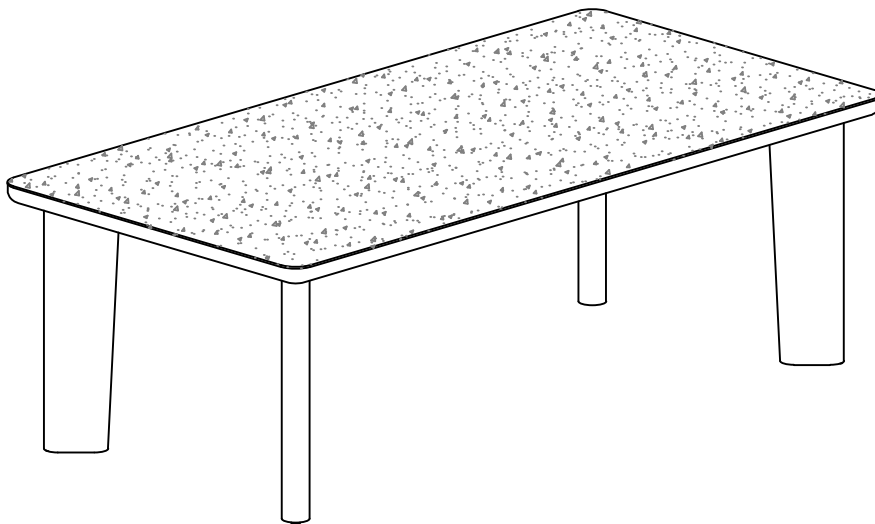


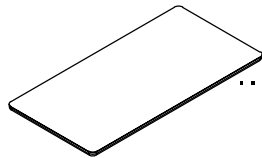
TOV



**Oani Walnut and Glass
Long Dining Table**

DON'T BE BORING.

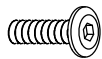
Hardware and Components



A x 1pc



B x 4pcs



C x 16(M8 x 25mm)



D x 1pc Allen Key-Ø5

Step 1

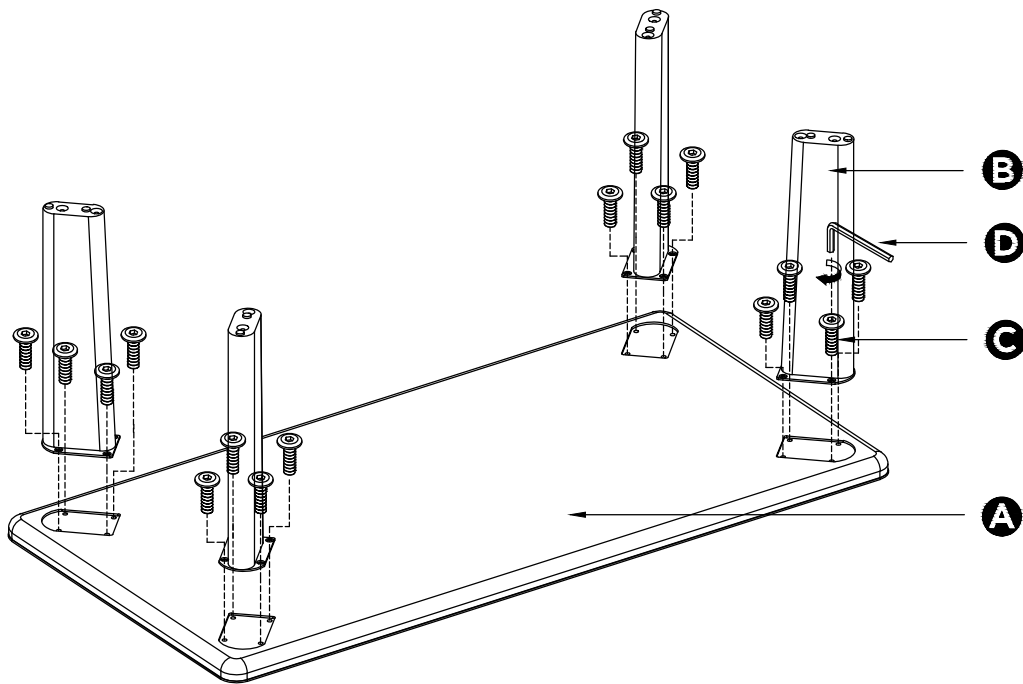
Open and unbox table components.

Look for a hardware bag in the legs box. The hardware package is a small red bag.



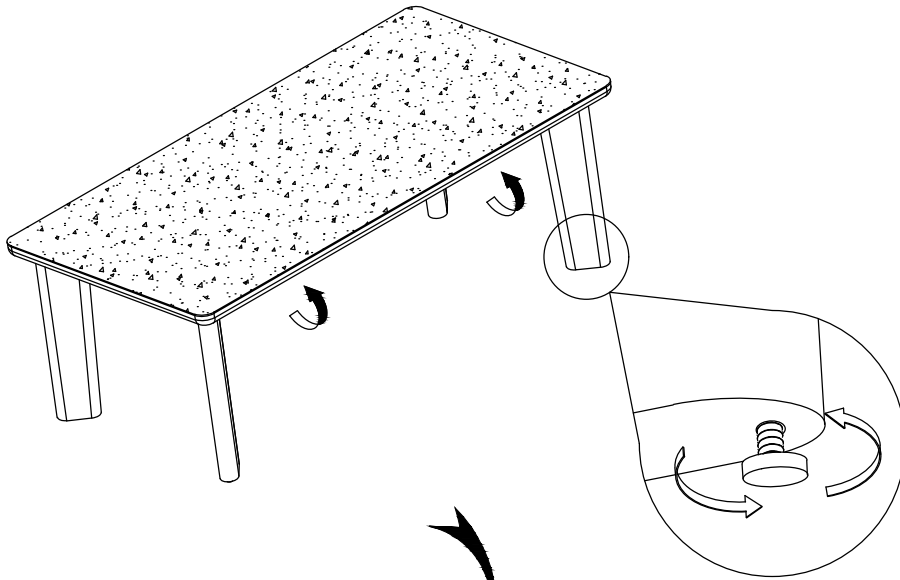
Step 2

- A. Tip table top(part A) over.
- B. Attach Leg (part B) to table top(part A) using parts C .
- C. Repeat 4x, for all legs.
- D. Lightly tighten with Allen Key(part D) tool.

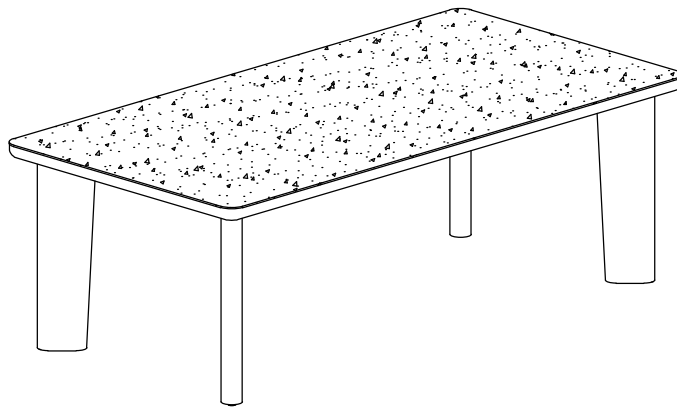


Step 3

A. Adjusting the adjustable leveling feet if the table is wobbly.



B. Complete.



Stuck?
Contact our team @ 516-888-3355

Scan for product care!




TOV



Follow us!

Show your new purchase some love by tagging it on our instagram!

 @tovfurniture

 516-888-3355

 hello@tovfurniture.com

 www.tovfurniture.com

If the future is female-your furniture should be,too.No mahogany in sight. Sexysettees shaped like lips.Price points for any budget.At TOV,we do things differently.