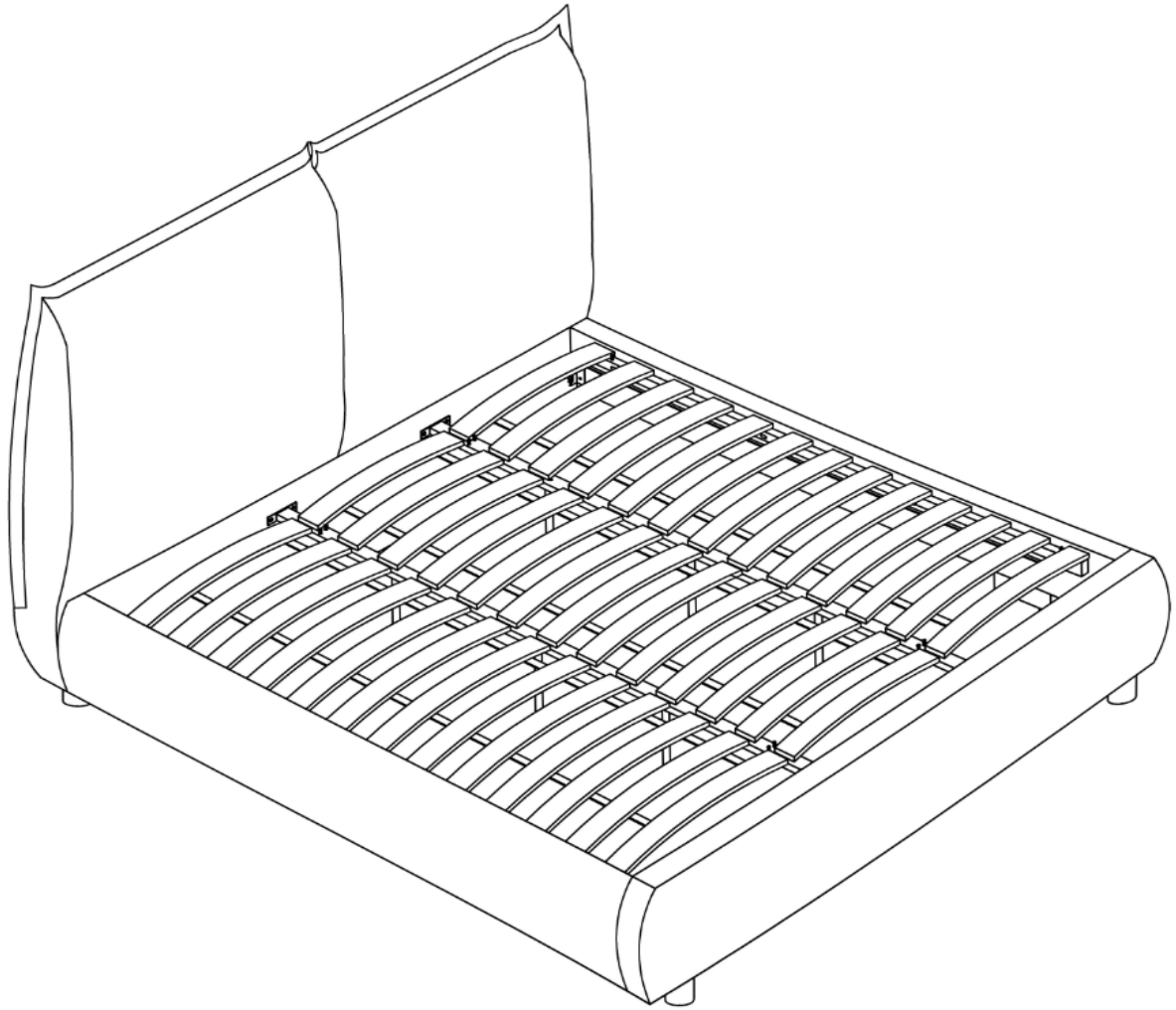


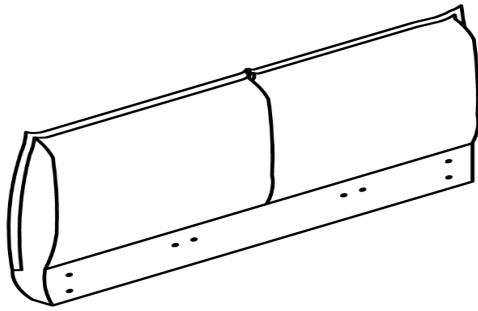
TOV



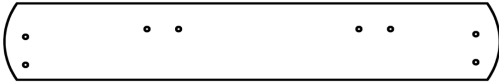
Mel King Bed

DON'T BE BORING.

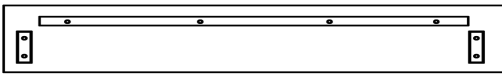
Hardware and Components



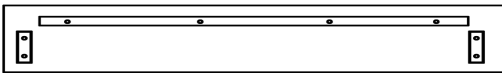
----- **A** X 1 PC



----- **B** X 1 PC



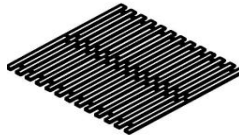
----- **C** X 1 PC



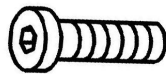
----- **D** X 1 PC



----- **E** X 14 PCS (Φ 8mm)



----- **F** X 36 CS



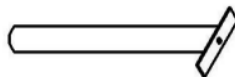
----- **G** X 16 CS (30mmx8mm)



----- **H** X 6 PCS (40mmx6mm)



----- **I** X 1 PC (Φ 8mm)



----- **J** X 6 PCS (H=215mm)



----- **K** X 6 PCS (Φ 6mm)



----- **L** X 1 PC



----- **M** X 12 PCS (25mmx6mm)

Hardware and Components



----- **N** X 4 PCS (H=50mm)



----- **P** X 4 PCS

Step 1

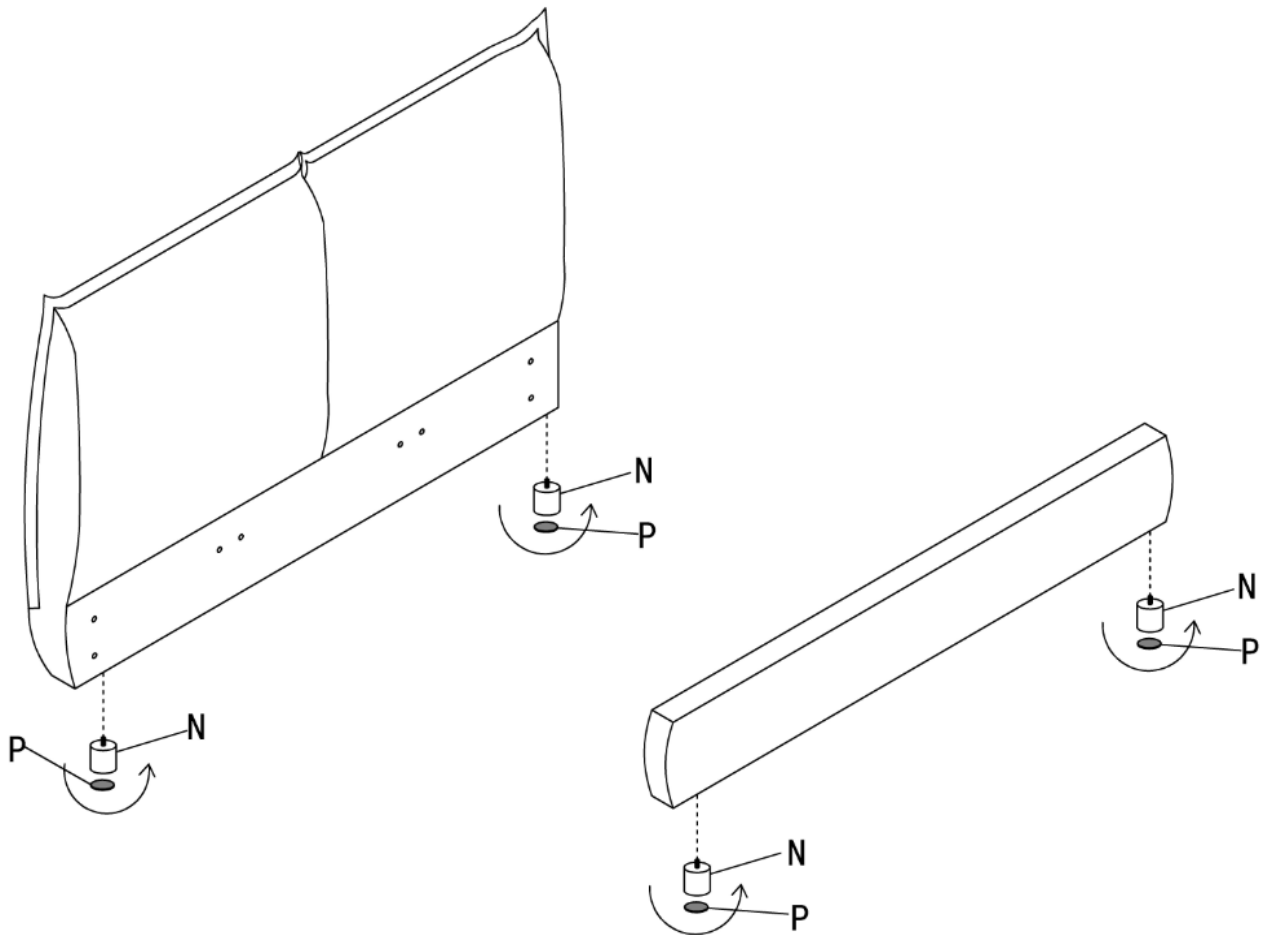
Open box of hardware and legs.

This hardware box will be a smaller box inside of the main box. Look for the red streamer.



Step 2

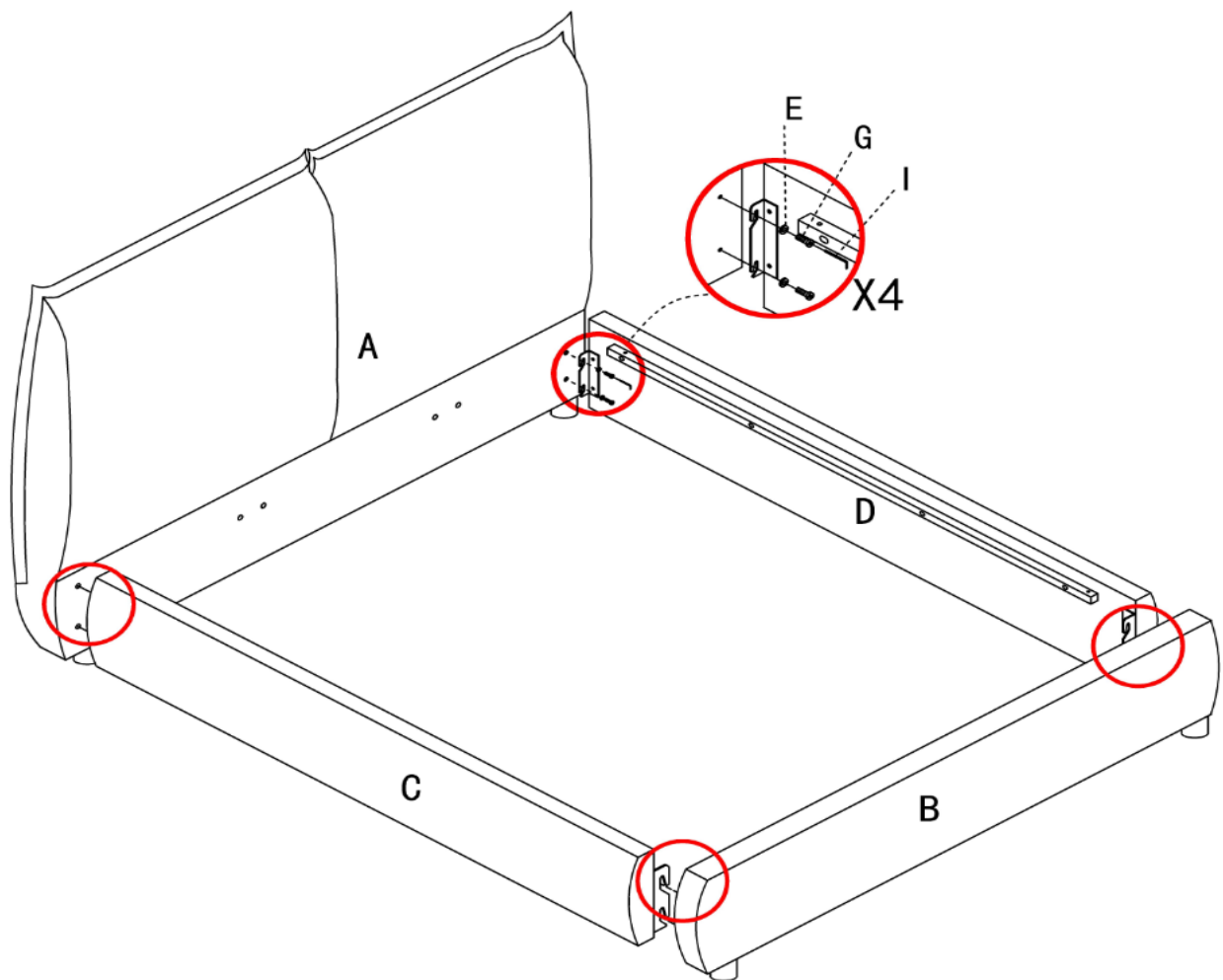
- A. Retrieve Bed legs (N) from parts' carton packed in side rails carton.
- B. Before installing bed legs, please attach the floor pads (P) to the bottom for protection.
- C. Attach bed legs (N) to headboard (A) & footboard (B).



Step 3

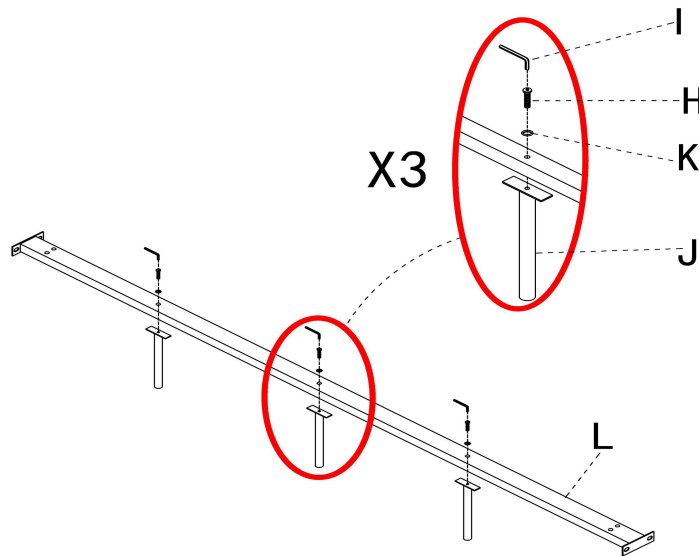
A. Attach side rails to headboard & footboard using bolt (G) and washer (E).

B. First twist the screw in, then slot the brackets over the bolts, Tighten the bolts with Allen key (I).



Step 4

A. Attach steel center support legs (J) to the center support rail (L) using Allen key (I), bolt (H) and washer (K).

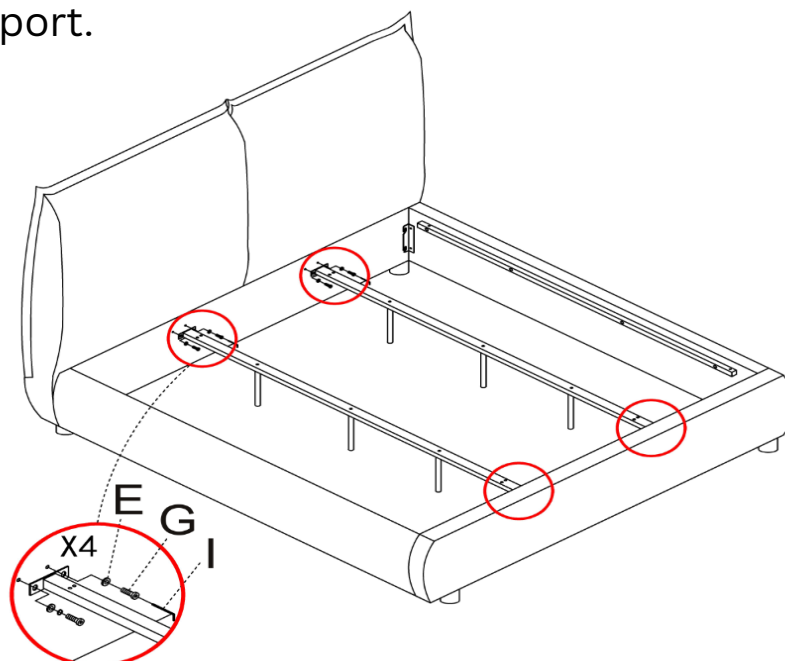


Step 5

A. Attach center support rail (L) to the headboard and footboard.

Please line up the holes in the center support rail (L) and refit the bolts & washers, tighten the bolts with Allen key (I).

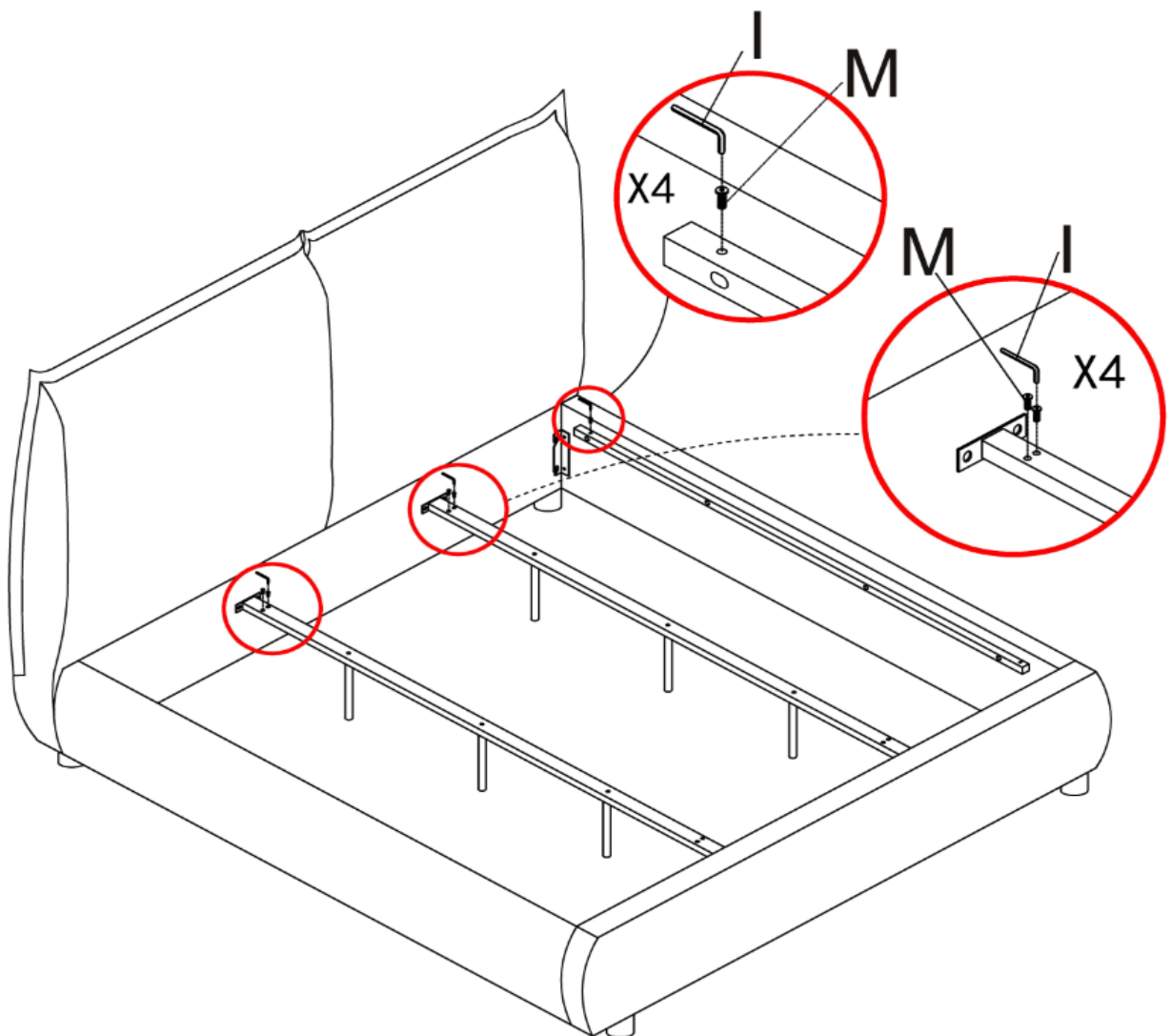
B. Verify the center support legs are perpendicular to the floor for full support.



Step 6

A. Attach bolt (M) to the holes in the end of support rails using Allen key (I).

(*Please note that at this stage, the bolt should be partially tightened.)

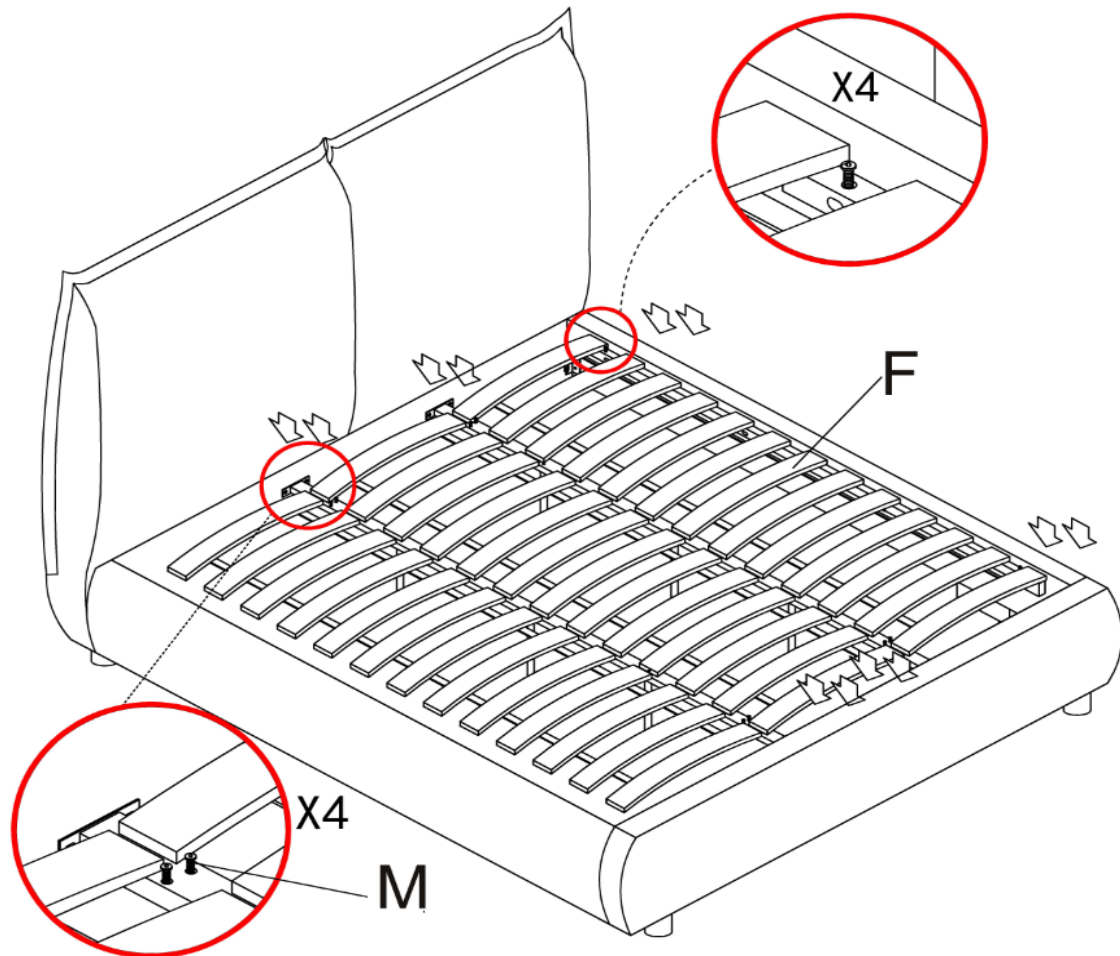


Step 7

A. Unroll slat roll (F) and place on bed frame.

Slats need to be straight and tight.

B. Secure your slats in place by pulling the last slat over the top of the bolts you just installed.



C. Your bed is complete, place mattress on slat roll and enjoy your new bed!

Stuck?

Contact our team @ 516-888-3355

Scan for product care!




TOV



Follow us!

Show your new purchase some love by tagging it on our Instagram!

 @tovfurniture

 516-888-3355

 hello@tovfurniture.com

 www.tovfurniture.com

If the future is female—your furniture should be, too. No mahogany in sight. Sexy settees shaped like lips. Price points for any budget. At TOV, we do things differently.