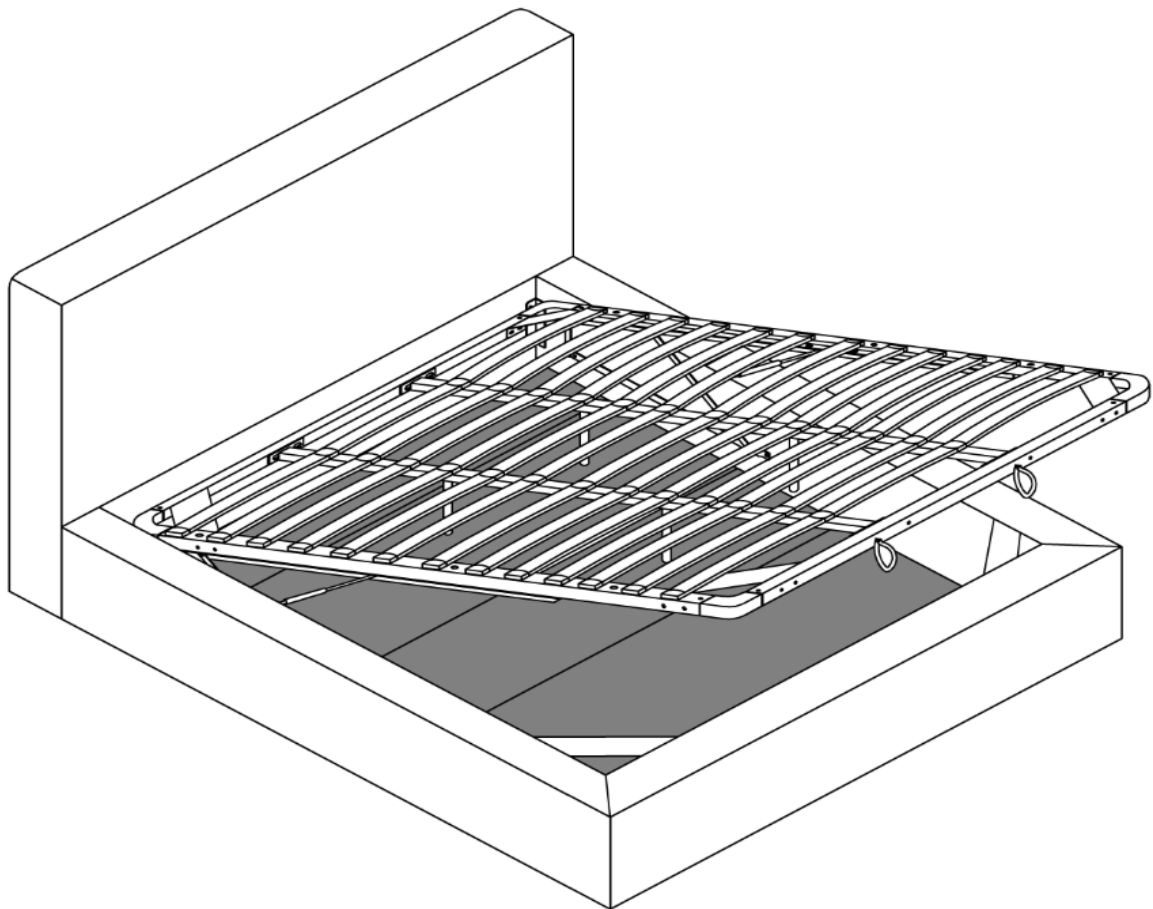


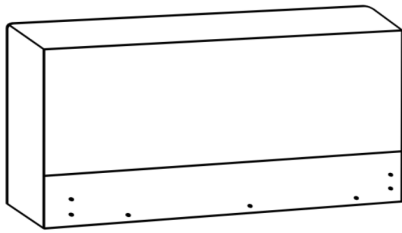
TOV



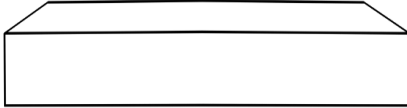
Meena Storage King Bed

DON'T BE BORING.

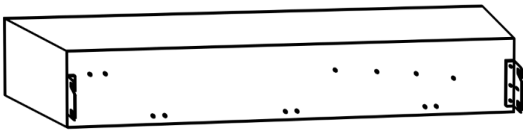
Hardware and Components



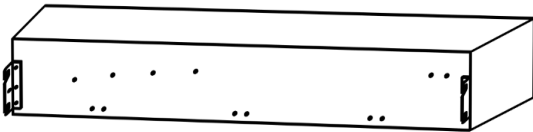
----- **A** X 1 PC



----- **B** X 1 PC



----- **C** X 1 PC



----- **D** X 1 PC



----- **E** X 8 2 PCS (Φ 8mm)



----- **E1** X 3 6 PCS (30mmx8mm)



----- **E2** X 8 PCS (45mmx8mm)



----- **F** X 8 PCS (H=50mm)



----- **F1** X8PCS



----- **G** X 1 PC



----- **G1** X 1 PC



----- **H** X 1 PC



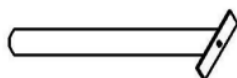
----- **H1** X 1 PC



----- **I** X 1 PC (Φ 8mm)



----- **I1** X 1 PC (Φ 6mm)



----- **J** X 4 PCS (H=325mm)

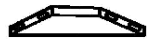
Hardware and Components



J1 X 3 PCS (H=75mm)



K X 2 PCS



K1 X 4 PCS



L X 2 PCS



M X 2 PCS



N X 2 PCS



O X 3 PCS



O1 X 2 PCS



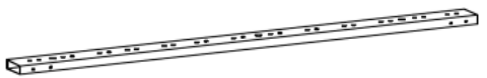
P X 2 6 PCS



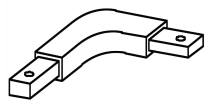
Q X 2 6 PCS



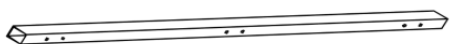
R X 3 9 PCS



S X 2 PCS



T X 4 PCS



U X 2 PCS



V X 2 PCS

Hardware and Components



----- **W** X 8 PCS (10mmx6mm)



----- **W1** X 3 PCS (40mmx6mm)



----- **W2** X 3 PCS (Φ 6mm)



----- **X** X 3 8 PCS (45mmx8mm)



----- **Y** X 2 PCS



----- **Z** X 3 8 PCS

Step 1

Open box of hardware and legs.

This hardware box will be a smaller box inside of the main box. Look for the red streamer.

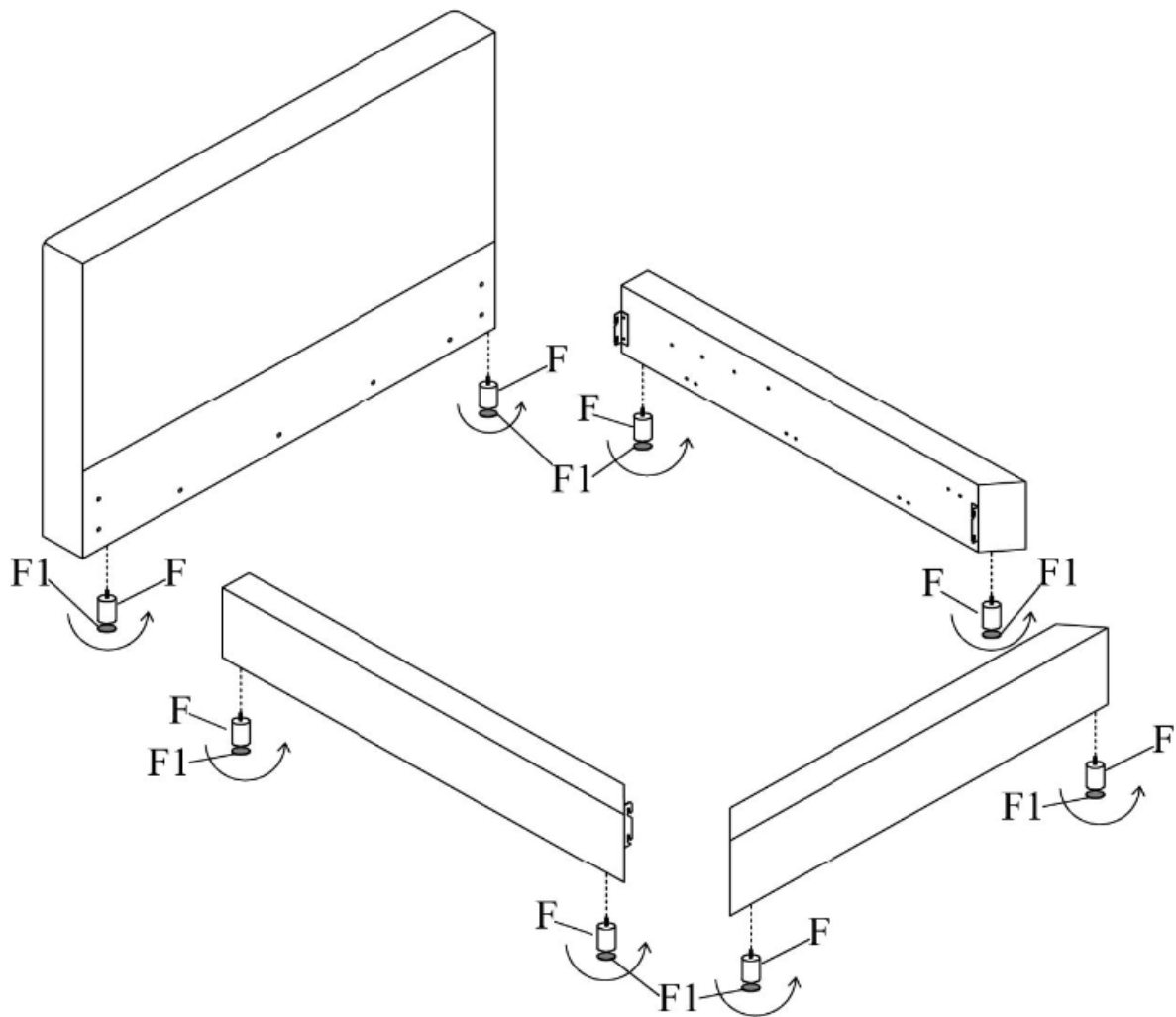


Step 2

A. Retrieve Bed legs (F) from parts' carton packed in side rails carton.

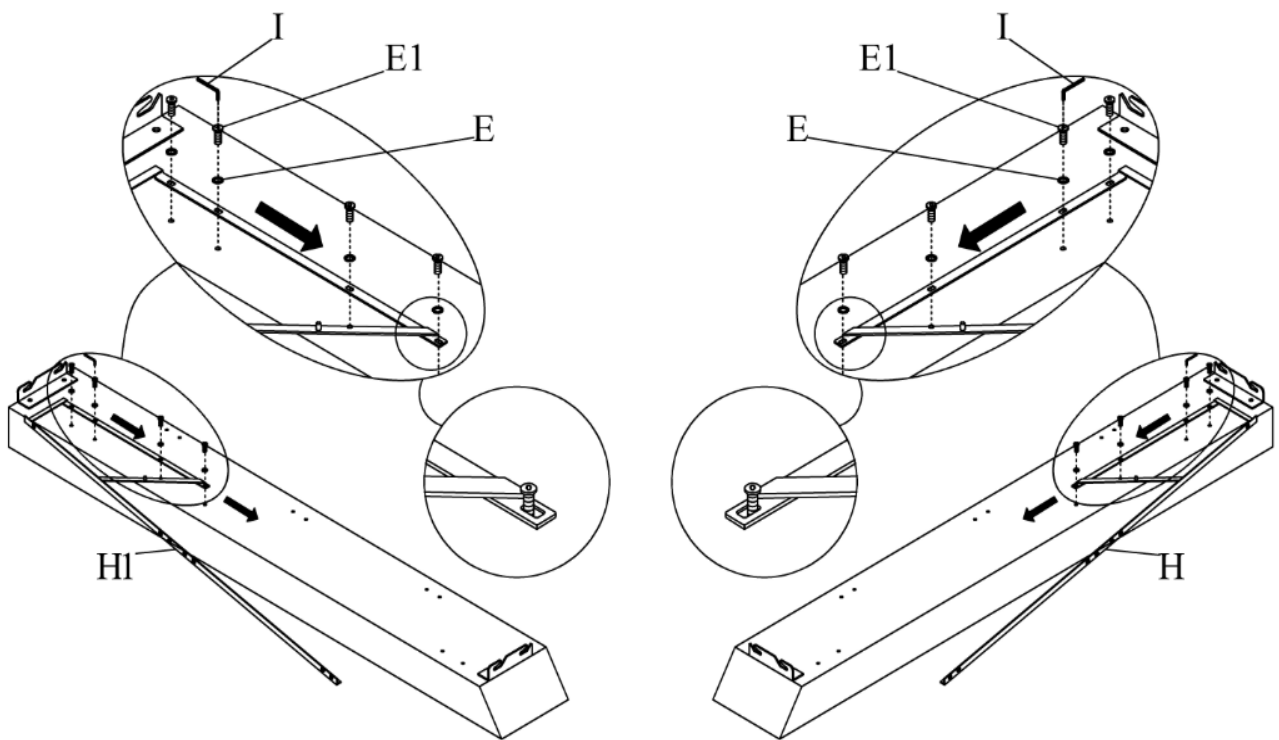
B. Attach bed legs (F) to headboard & footboard & side rails.

C. Before installing bed legs, please attach the mat to the bottom for protection.



Step 3

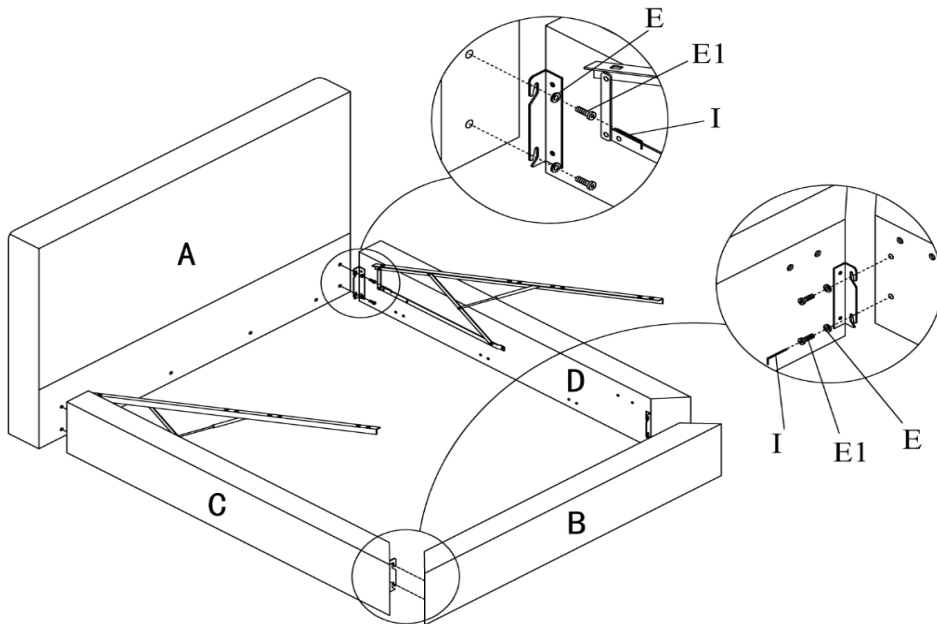
A. Attach the lifting hinges (H&H1) to the side rails (C&D), line the hinges up with holes and loosely fit the bolts (E1) & washers (E) before fully tightening the bolts, slide the hinges so the bolts are positioned as per picture, then fully tighten the bolts with Allen key(I).



Step 4

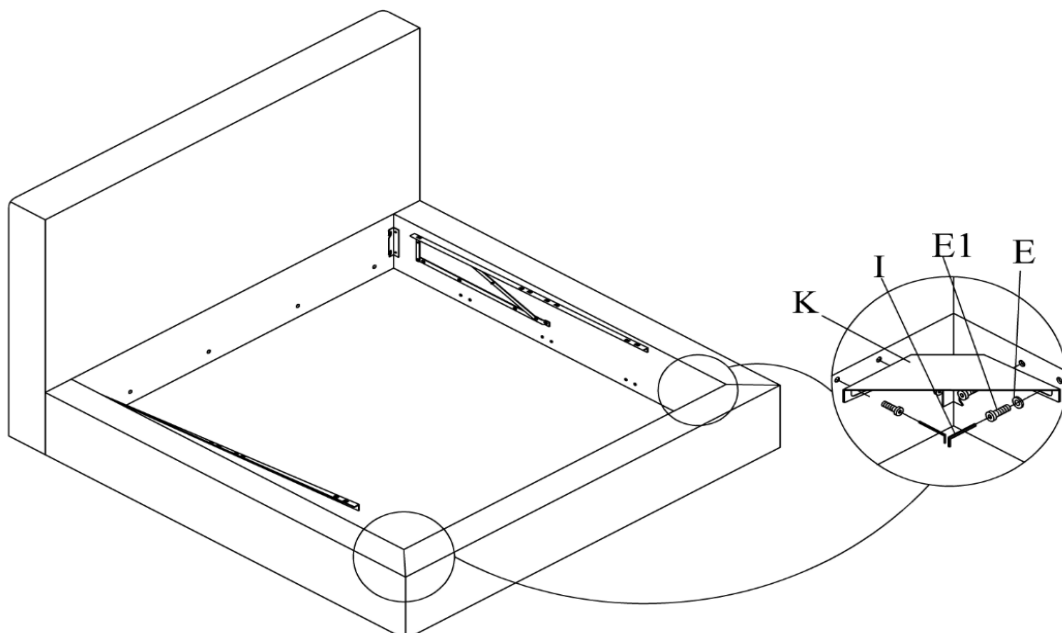
A. Attach side rails to headboard & footboard using bolt (E1) and washer (E).

B. First twist the screw in, then slot the brackets over the bolts, Tighten the bolts with Allen key (I) .



Step 5

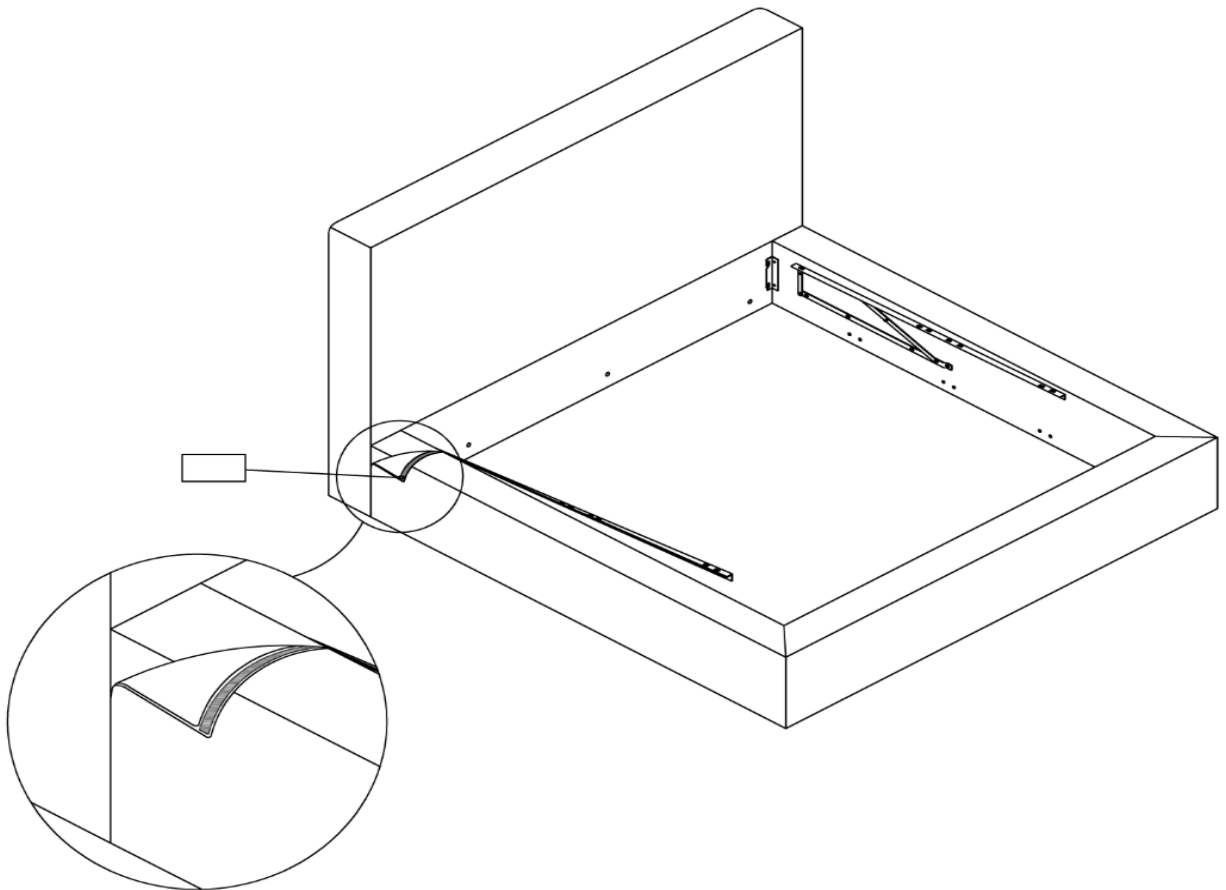
A. Attach angle bracket (K) to rails & footboard using bolt (E1) and washer (E). Tighten bolts using Allen Key (I).



Step 6

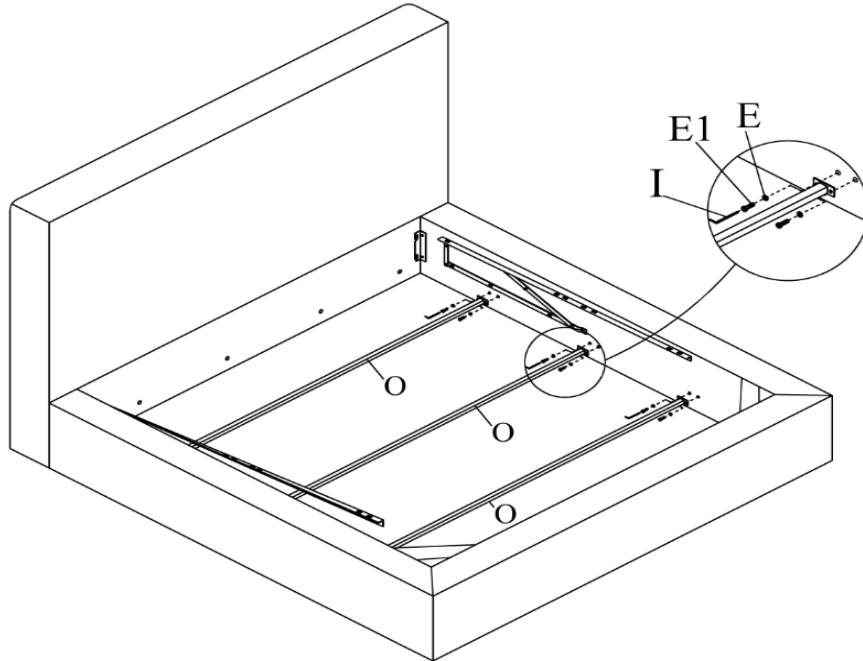
A. Retrieve fabric covers from part's carton packed in side rails carton.

B. Attach the slip cover to the side rails and footboard. The side of the cloth cover with the sewn label is affixed to the top of bed frame.



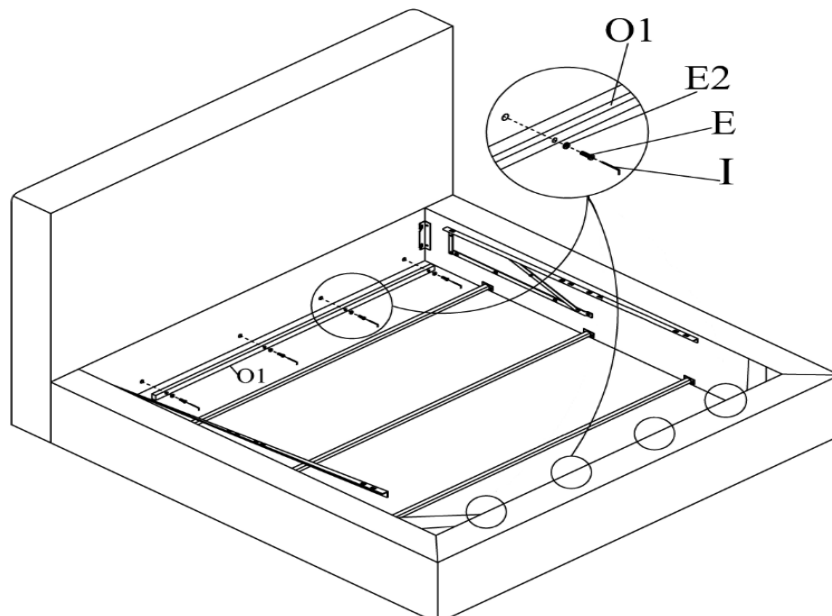
Step 7

A. Attach support rails (O) to side rails using bolt (E1) and washer (E). Please line up the holes in the support rails (O) then fit the bolts & washers, tighten with Allen key (I) .



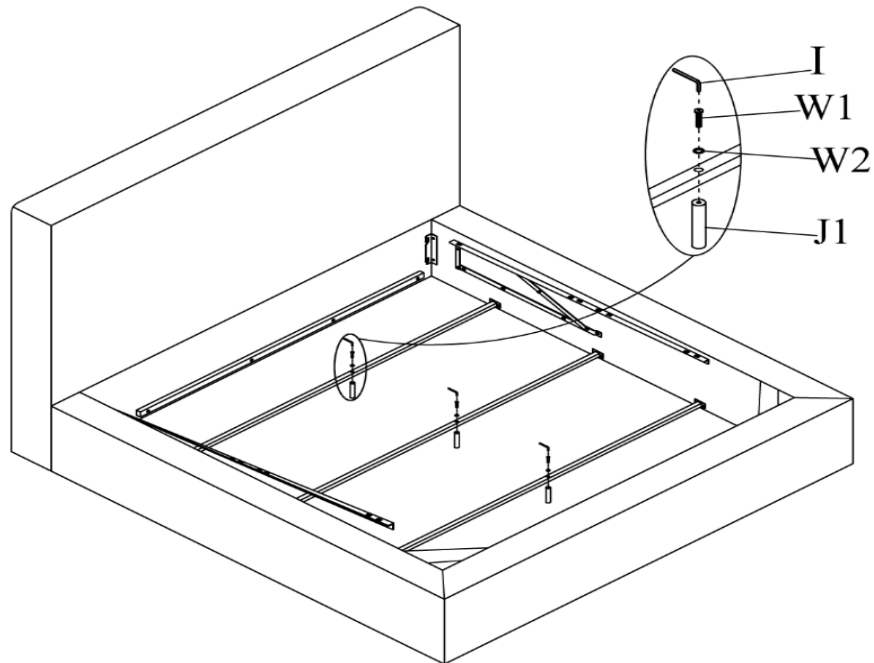
Step 8

A. Attach support rails (O1) to headboard & footboard using bolt (E1) and washer (E). Please line up the holes in the support rails (O1) then fit the bolts & washers, Tighten with Allen key (I) .



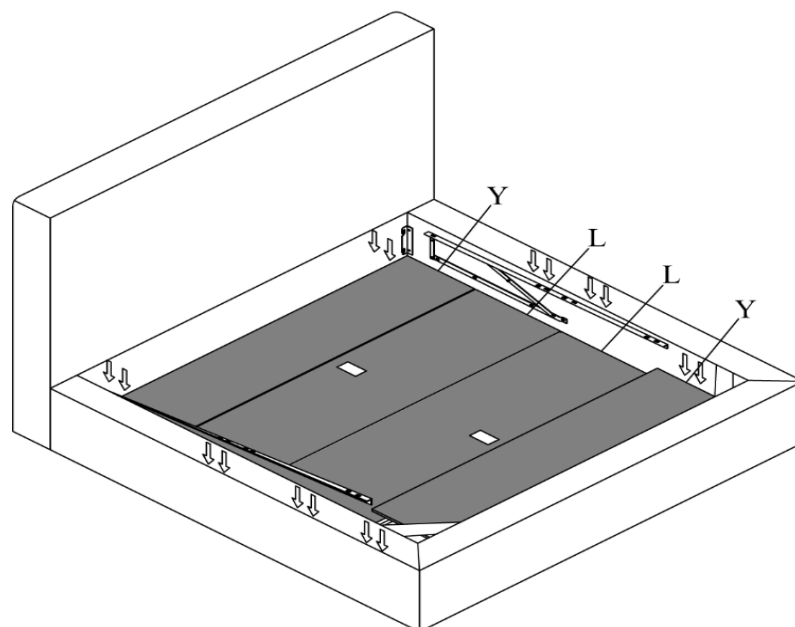
Step 9

A. Attach steel center support legs (J1) to the support rails (O) using bolt (W1) and washer (W2). Tighten bolts using Allen Key (I).



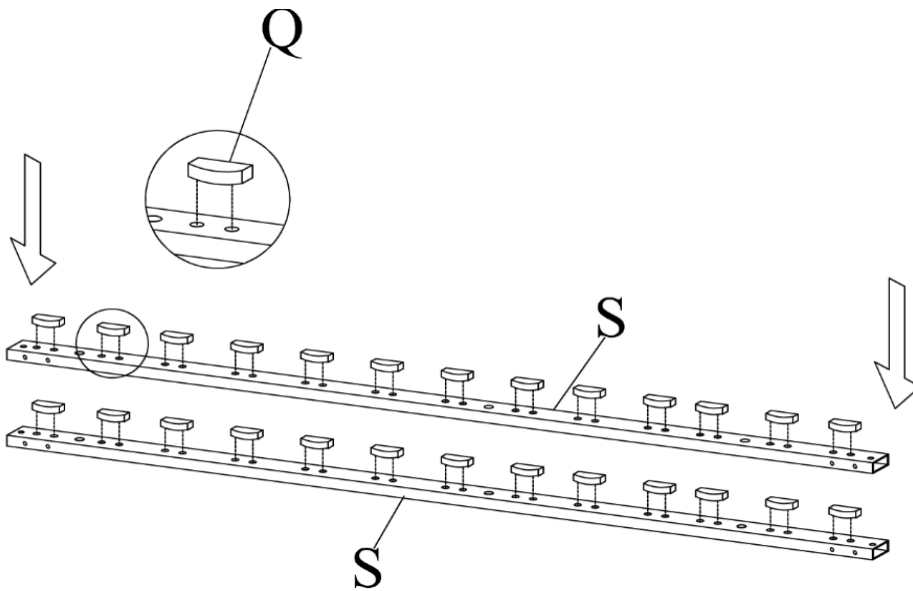
Step 10

A. Put the storage board (L&Y) (packed in headboard carton) on support rails per diagram.



Step 11

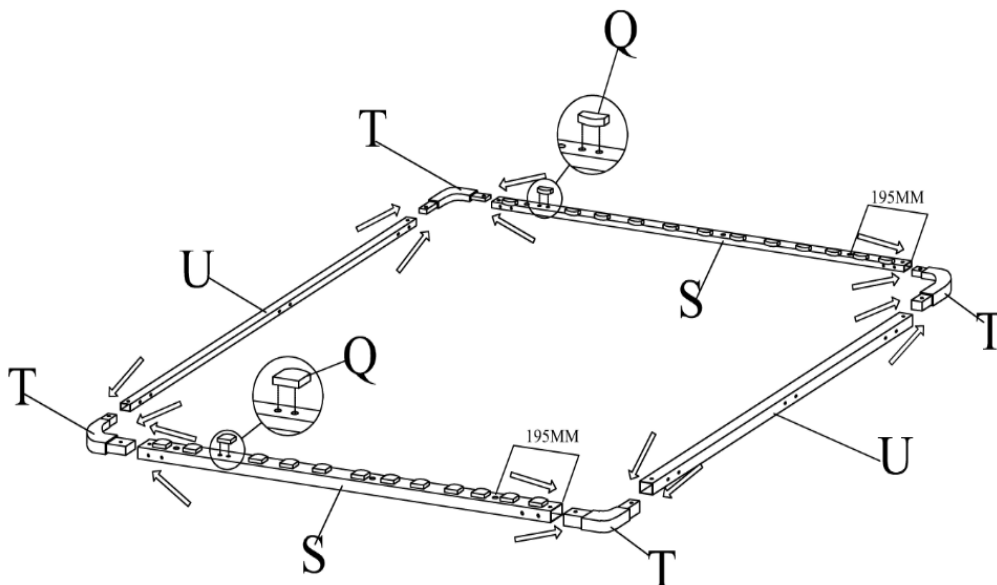
A. Push the end clips (Q) into the slats frame side support tubes (S).



Step 12

A. Connect the two side support tubes (S) to the head & tail support tubes (U) with the plastic elbows (T).

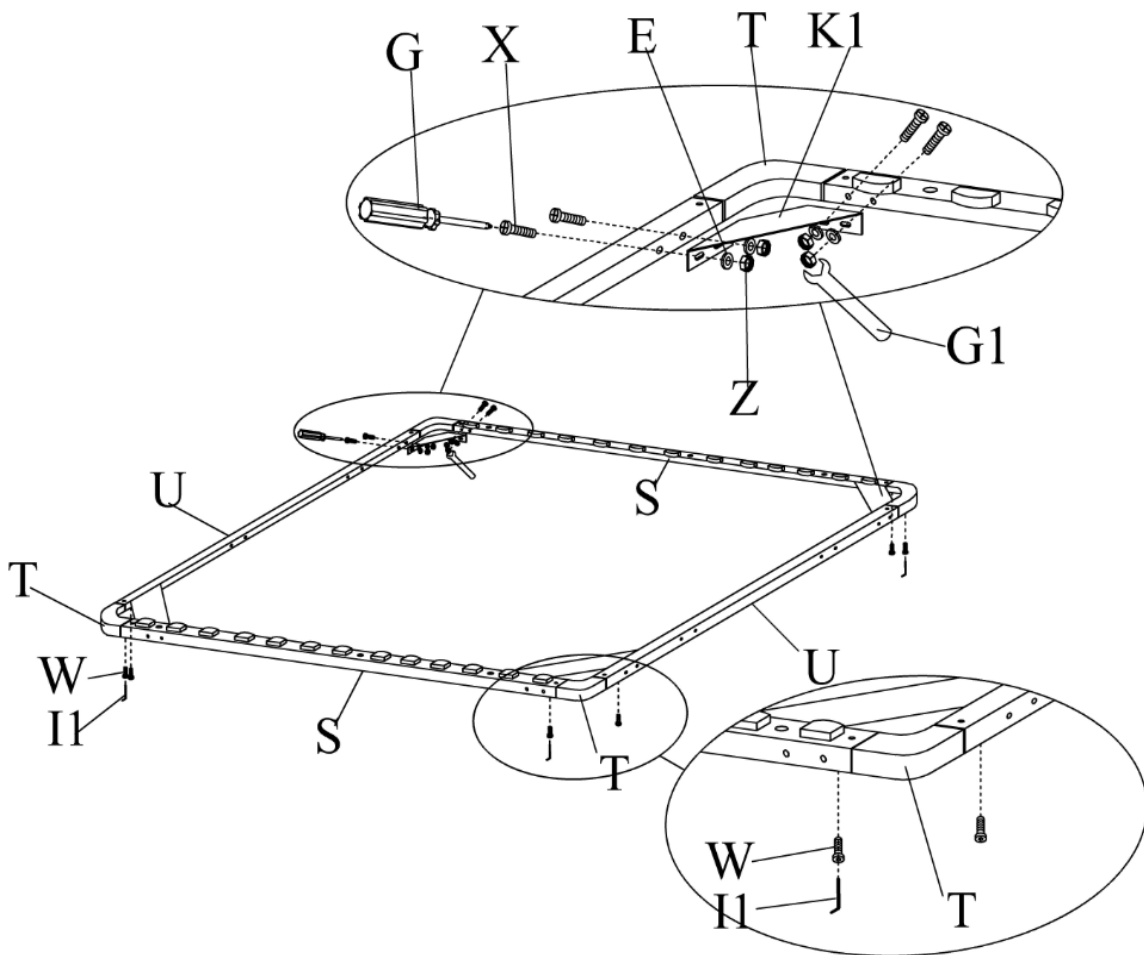
B. please make sure the two side support tubes are the correct way round before fitting the elbows .The opening of the clips(Q) faces inward.



Step 13

A. Attach the angle bracket (K1) to the side support tubes (S) & end support tubes (U) using bolt (X), washer (E) and nut (Z). Tighten bolts using screw driver (G) & spanner (G1).

B. Make sure the elbows line up the holes, Tighten bolts (W) with smaller Allen key (I1)

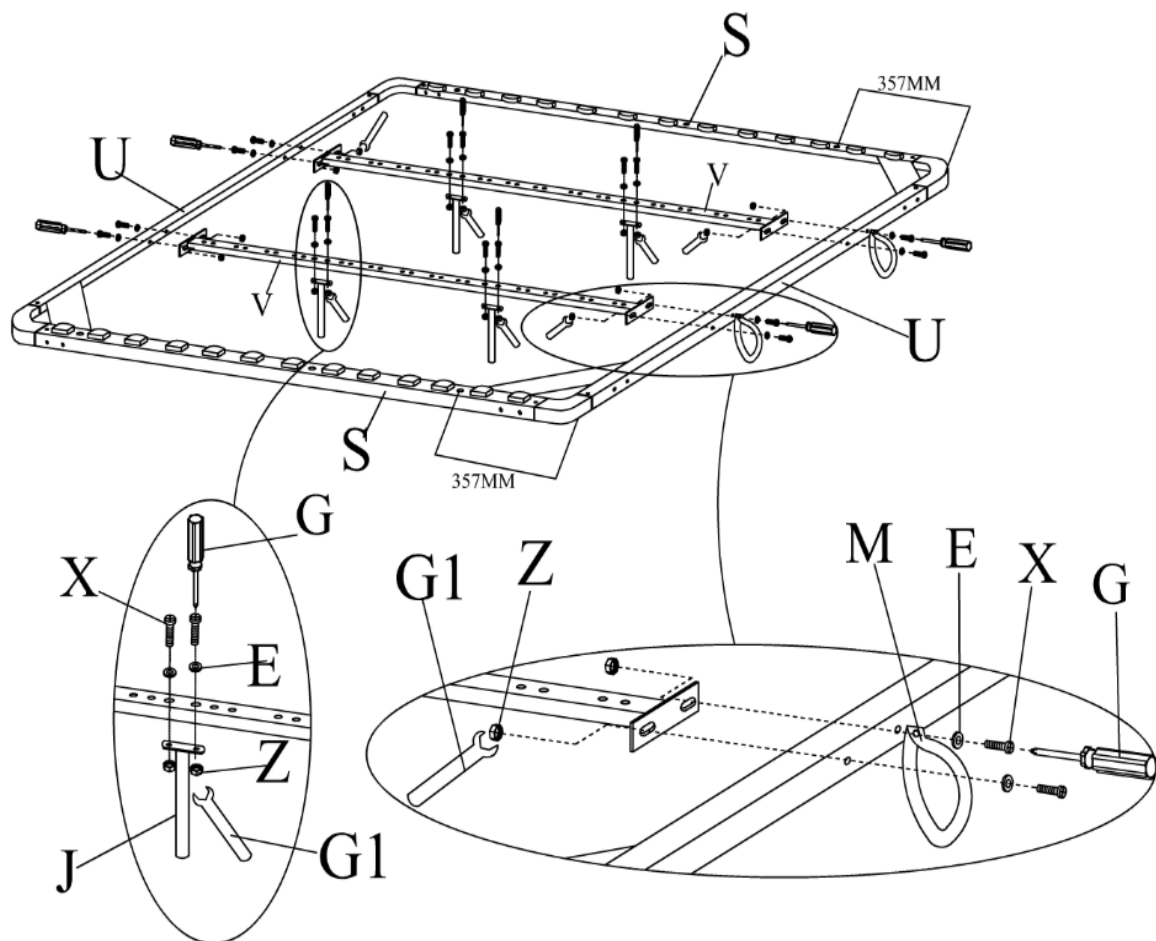


Step 14

A. Attach center support rail (V) to the support tubes (U) using bolt (X), washer (E) and nut (Z). Please line up the holes, tighten the bolts with screw driver (G) & spanner (G1).

Note: on the tail of the frame, please insert the bolts(X) through the lift strap (M) before going through the tubes (U).

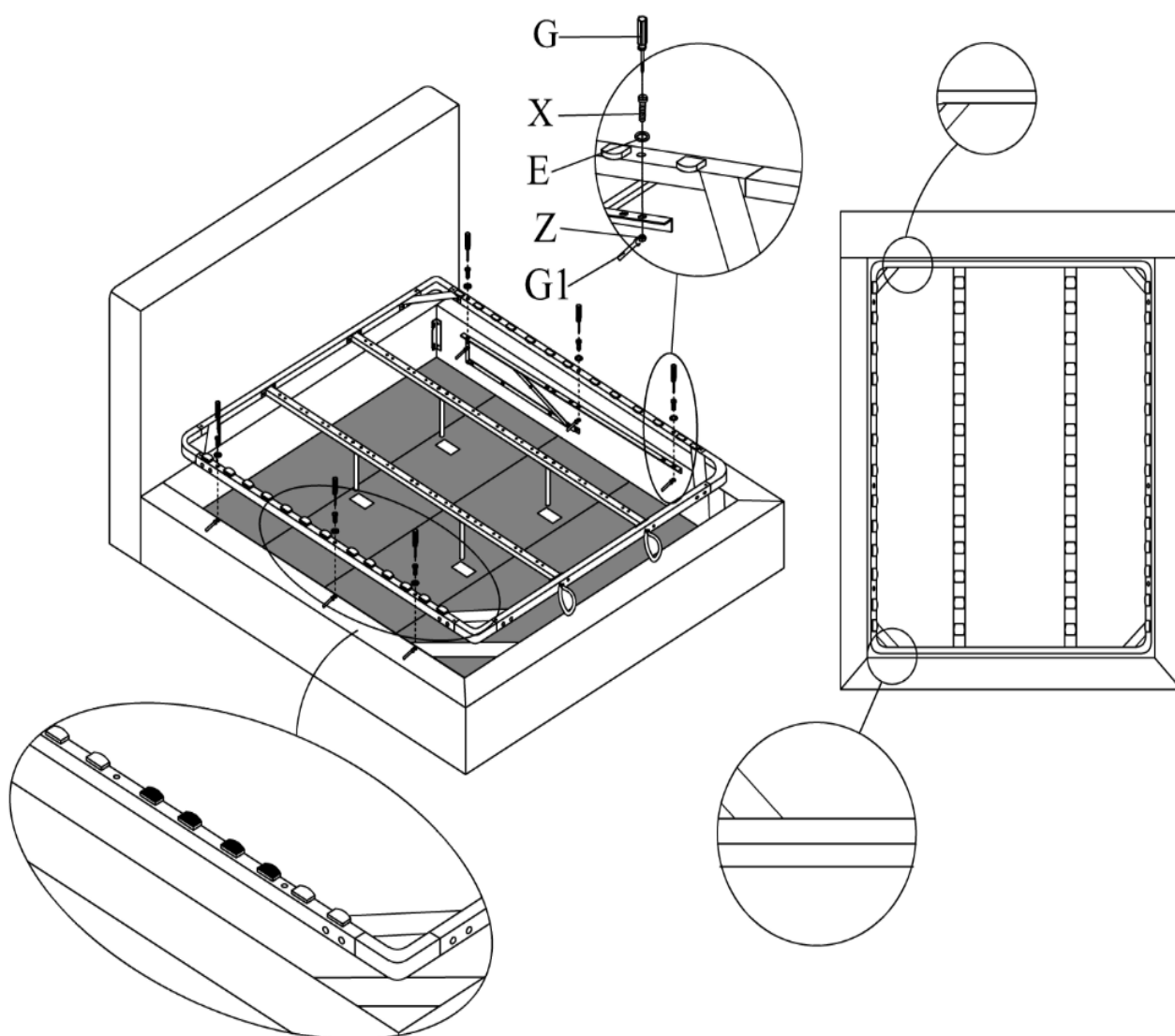
B. Attach steel center support legs (J) to the center support rail (V) using bolt (X), washer (E) and nut (Z). tighten the bolts with screw driver (G) & spanner (G1).



Step 15

A. Put the metal frame onto the lifting hinges and line up the holes ,attache frame using bolt (X) , washer (E) and nut (Z). Tighten bolts using screw driver (G) & spanner (G1).

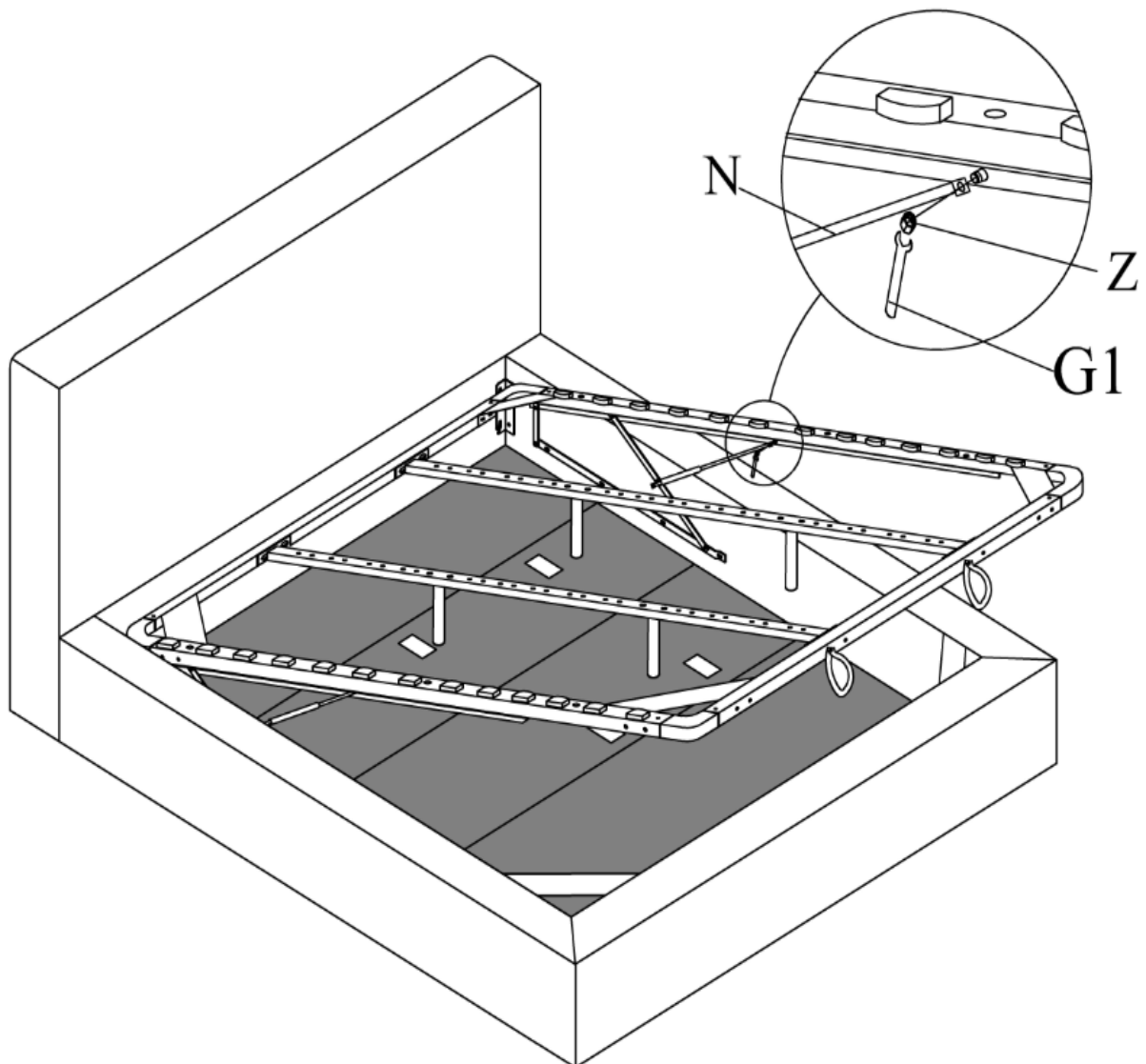
Note: Make sure there is a gap between the metal frame and bed frame. Avoid friction between metal frame and bed frame to damage fabric cover.



Step 16

A. Locate the hydraulic lifts (N) to the threads on the lifting hinges, and fix it with Nut (Z) ,tighten with spanner (G1).

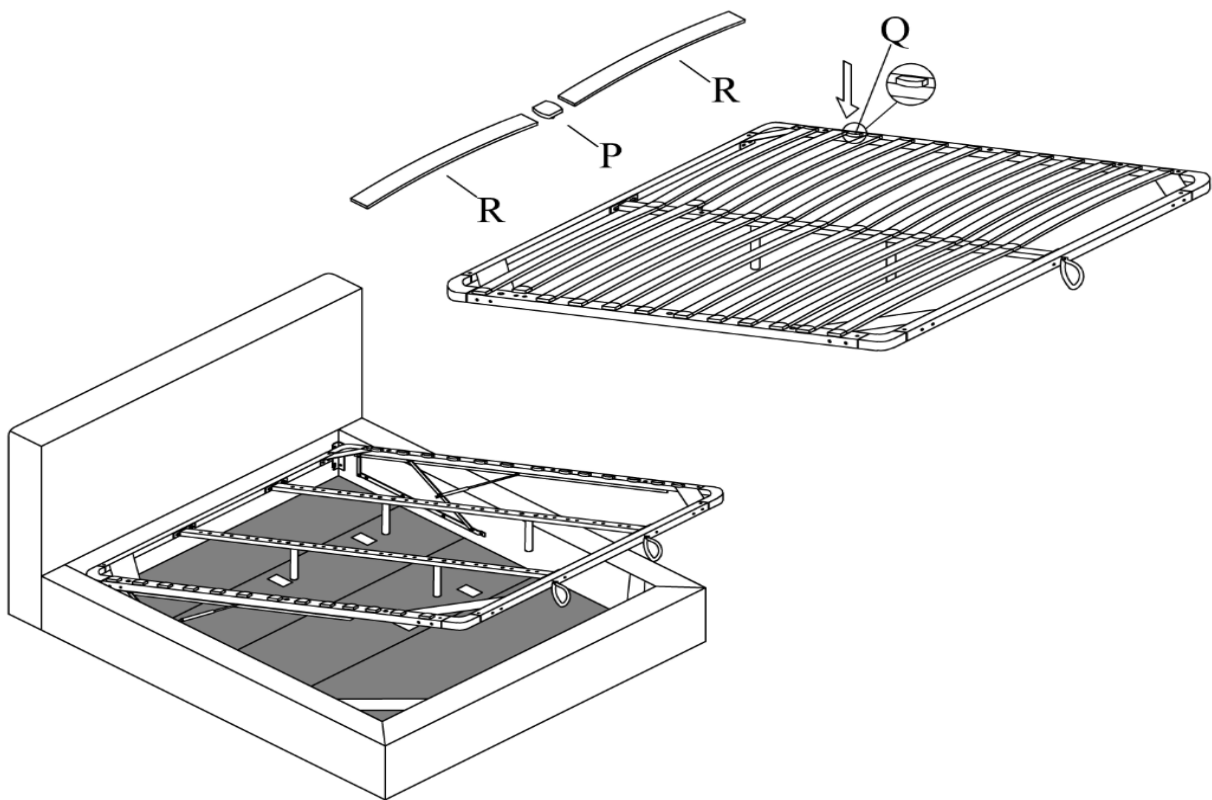
Note: Make sure the hydraulic lifts (N) installation direction per diagram.



Step 17

- A.** Verify slats system tension slats are installed curved upwards per diagram.
- B.** Insert tension slats (R) into center clip (P) and end clip (Q) before snapping into place.

IMPORTANT: Make sure slats are inserted into center clip (P) **BEFORE** snapping into place.

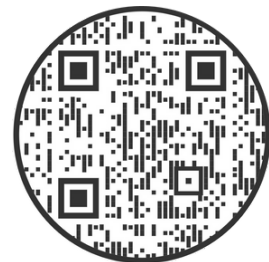


- C.** Your bed is complete, place mattress on slatroll and enjoy your new bed!

Stuck?

Contact our team @ 516-888-3355

Scan for product care!




TOV



Follow us!

Show your new purchase some love by tagging it on our Instagram!

 @tovfurniture

 516-888-3355

 hello@tovfurniture.com

 www.tovfurniture.com

If the future is female—your furniture should be, too. No mahogany in sight. Sexy settees shaped like lips. Price points for any budget. At TOV, we do things differently.