

ASSEMBLY INSTRUCTIONS

# Nightstand

MOD-7243 / V0.07.03.25

---

**modway**



Questions? Contact us!

609.256.9000

[cs@modway.com](mailto:cs@modway.com)

# Welcome.

## Let's get started.

Before you begin, here are some things to keep in mind:

Assembly will take most people **about 30 minutes**. Consider having a friend help you!

**Only use hand tools to assemble this item.** Do not use power tools. Do not tighten bolts or screws completely until all hardware is lined up and inserted into the holes.

**Read through all of the instructions before starting. Make sure you have all parts and components before discarding any packing materials.**

Do not over-tighten screws and bolts to avoid stripping the hardware or cracking the item.

Assemble your item on a flat, carpeted area, with plenty of space to work. This will prevent damage and scratches to your floors or the item while you're assembling the product.

Keep all components and packaging out of reach of children or animals to avoid risk of choking or suffocation.


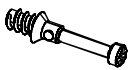


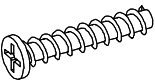
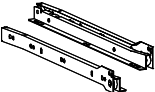

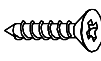

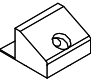
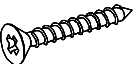
Care instructions are listed in the last step of this manual.

**WAIT!**

Missing parts or hardware? Need assistance?  
Contact us before returning your item.  
We're here to help!



## HARDWARE INCLUDED IN THE BOX:

A		Cam Lock Ø15mm	x16
B		Cam Bolt Ø7.5 x 32mm	x20
C		Cam Sticker	x20
D		Plastic Dowel M6 x 30mm	x36
E		Screw 10 x 33.5mm	x10
F		Drawer Rail	x2
G		Screw 6 x 8mm	x8
H		Screw 6 x 13mm	x8
I		Cam Lock Ø12mm	x4
J		Backply Stopper	x8
K		Screw 4 x 19mm	x8

## WHAT YOU NEED:



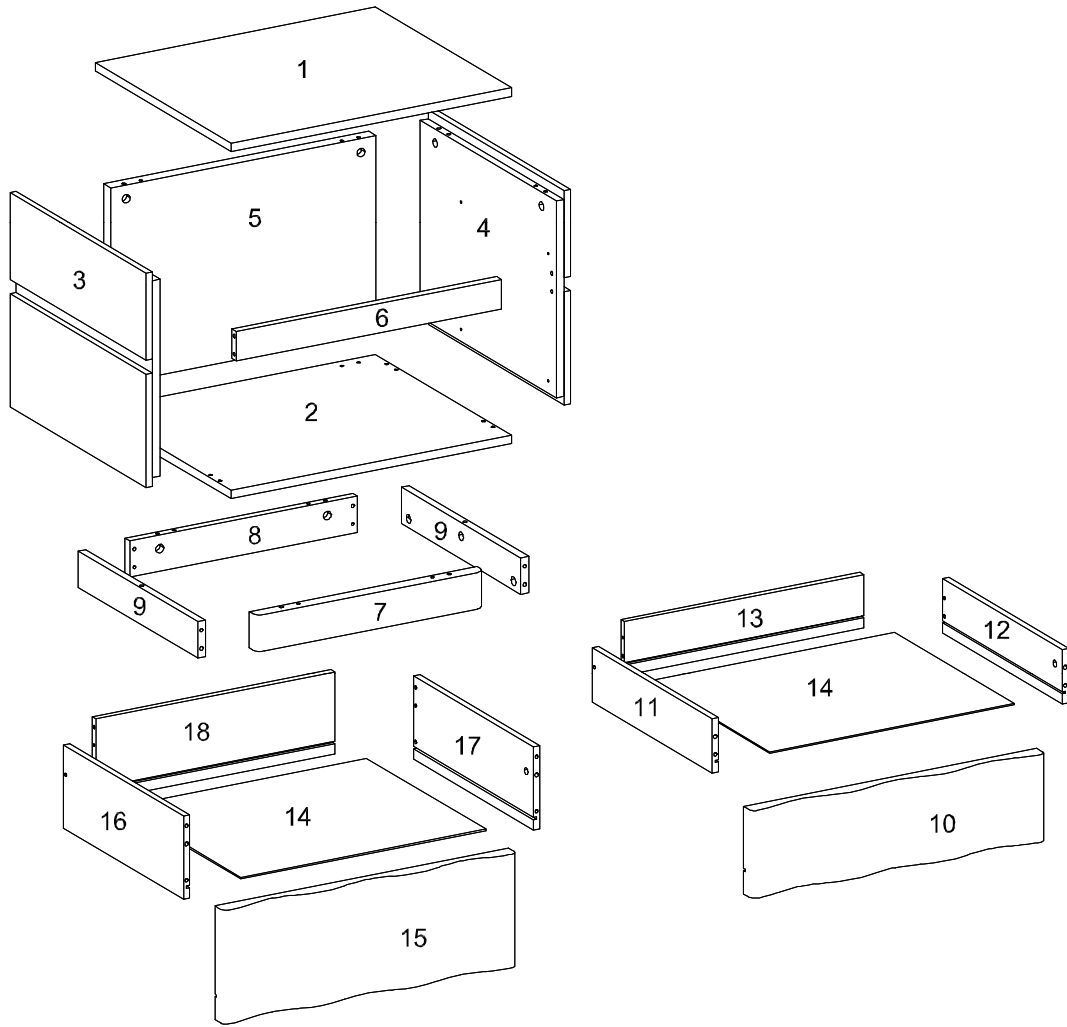
Phillips



Phillips Head Screwdriver

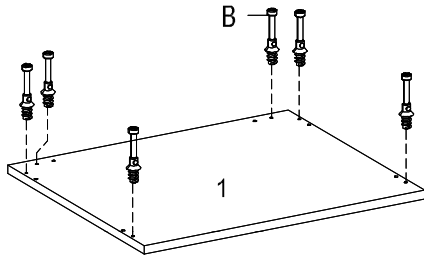
# FURNITURE COMPONENTS INCLUDED IN THE BOX:

All parts are numbered with a sticker according to this list.

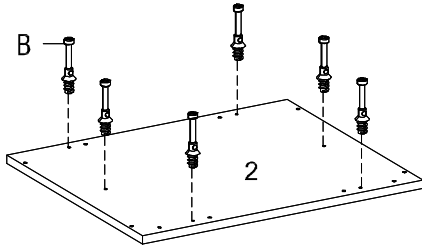


<b>1</b>	<b>Top Board</b>	<b>x1</b>	<b>7</b>	<b>Bottom Front Support</b>	<b>x1</b>	<b>13</b>	<b>Top Rear Drawer</b>	<b>x1</b>
<b>2</b>	<b>Bottom board</b>	<b>x1</b>	<b>8</b>	<b>Bottom Rear Support</b>	<b>x1</b>	<b>14</b>	<b>Bottom Drawer</b>	<b>x2</b>
<b>3</b>	<b>Left Board</b>	<b>x1</b>	<b>9</b>	<b>Bottom Side Support</b>	<b>x2</b>	<b>15</b>	<b>Bottom Front Drawer</b>	<b>x1</b>
<b>4</b>	<b>Right Board</b>	<b>x1</b>	<b>10</b>	<b>Top Front Drawer</b>	<b>x1</b>	<b>16</b>	<b>Bottom Left Drawer</b>	<b>x1</b>
<b>5</b>	<b>Rear Board</b>	<b>x1</b>	<b>11</b>	<b>Top Left Drawer</b>	<b>x1</b>	<b>17</b>	<b>Bottom Right Drawer</b>	<b>x1</b>
<b>6</b>	<b>Drawer Support</b>	<b>x1</b>	<b>12</b>	<b>Top Right Drawer</b>	<b>x1</b>	<b>18</b>	<b>Bottom Rear Drawer</b>	<b>x1</b>

1.1 Insert and screw Cam Bolt (B) into Top Board (1) as shown.



1.2 Insert and screw Cam Bolt (B) into Bottom Board (2) as shown.



#### HARDWARE

**B** Cam Bolt Ø7.5 × 32mm x12

#### COMPONENTS

**1** Top Board x1

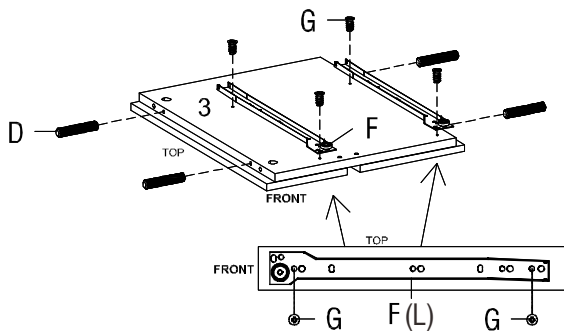
**2** Bottom Board x1

#### TOOLS

**1** Phillips Head Screwdriver x1

## STEP 02

2.1 Attach two Drawer Rail (F) to Left Board (3) using Screw (G). Insert Plastic Dowel (D) into Left Board (3) as shown.



#### HARDWARE

**D** Plastic Dowel M6 x 30mm x8

**F** Drawer Rail x2

**G** Screw 6 x 8mm x8

#### COMPONENTS

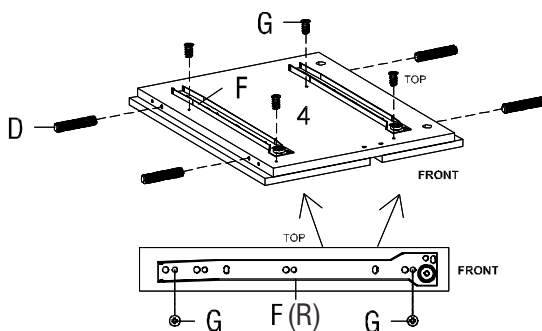
**3** Left Board x1

**4** Right Board x1

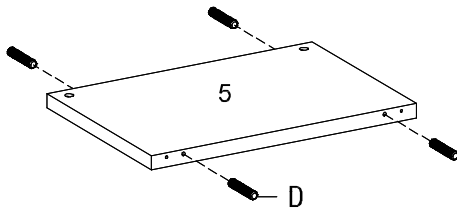
#### TOOLS

**1** Phillips Head Screwdriver x1

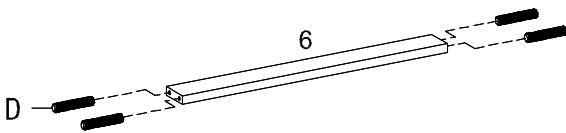
2.2 Attach two Drawer Rail (F) to Right Board (4) using Screw (G). Insert Plastic Dowel (D) into Right Board (4) as shown.



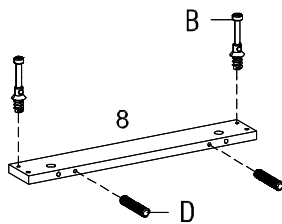
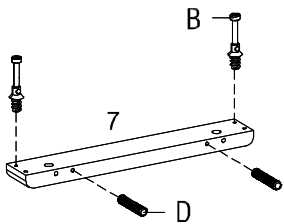
3.1 Insert Plastic Dowel (D) into Rear Board (5) as shown.



3.2 Insert Plastic Dowel (D) into Drawer Support (6) as shown.



3.3 Insert and screw Cam Bolt (B) into Bottom Front Support (7).  
Repeat on the Bottom Rear Support (8).



3.4 Insert Plastic Dowel (D) into Bottom Front Support (7) as shown.  
Repeat on the Bottom Rear Support (8).

#### HARDWARE

- B** Cam Bolt  $\varnothing 7.5 \times 32\text{mm}$  x4
- D** Plastic Dowel M6 x 30mm x16

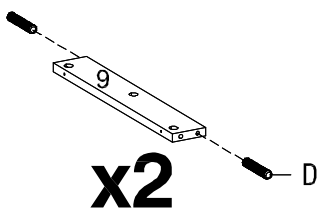
#### COMPONENTS

- 5** Rear Board x1
- 6** Drawer Support x1
- 7** Bottom Front Support x1
- 8** Bottom Rear Support x1
- 9** Bottom Side Support x2

#### TOOLS

- 1** Phillips Head Screwdriver x1

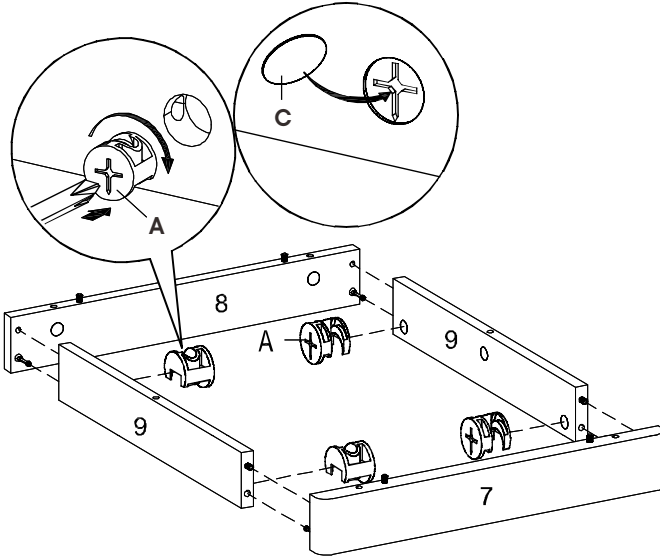
3.5 Insert Plastic Dowel (D) into Bottom Side Support (9) as shown.  
Repeat on the other piece.



4.1 Attach Bottom Front Support (7) and Bottom Rear Support (8) to two Bottom Side Support (9) as shown.

4.2 Insert Cam Lock (A) to assembled unit as shown, then tighten it using Phillips Head Screwdriver.

4.3 Paste Cam Sticker (C) to the Cam Lock (A).



#### HARDWARE

- A** Cam Lock Ø15mm x4
- C** Cam Sticker x4

#### COMPONENTS

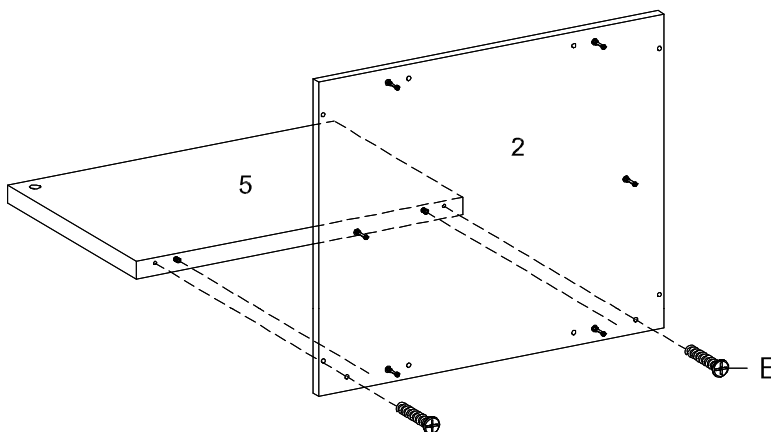
- 7** Bottom Front Support x1
- 8** Bottom Rear Support x1
- 9** Bottom Side Support x2

#### TOOLS

- 1** Phillips Head Screwdriver x1

### STEP 05

5.1 Attach Bottom Board (2) to Rear Board (5) using Screw (E).



#### HARDWARE

- E** Screw 10 x 33.5mm x2

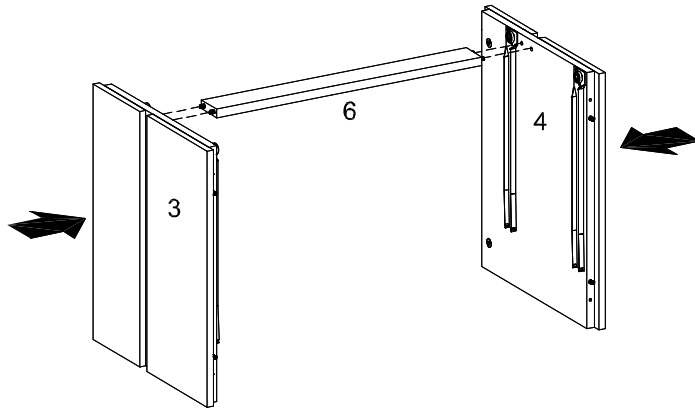
#### COMPONENTS

- 2** Bottom Board x1
- 5** Rear Board x1

#### TOOLS

- 1** Phillips Head Screwdriver x1

6.1 Attach Left Board (3) and Right Board (4) to Drawer Support (6) as shown.

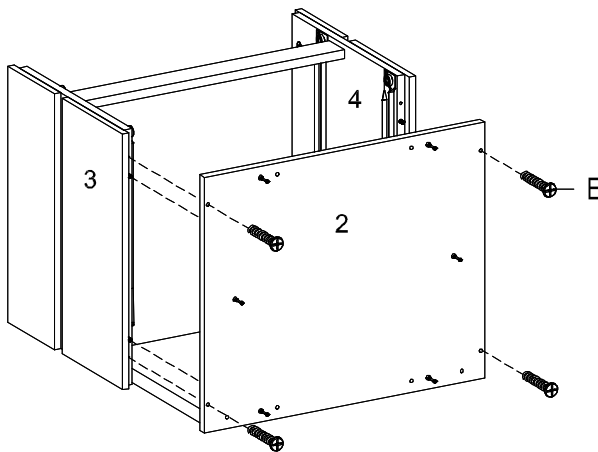


#### COMPONENTS

③	Left Board	x1
④	Right Board	x1
⑥	Drawer Support	x1

#### STEP 07

7.1 Attach Bottom Board (2) to the assembled unit using Screw (E).



#### HARDWARE

Ⓔ	Screw 10 x 33.5mm	x4
---	-------------------	----

#### COMPONENTS

②	Bottom Board	x1
③	Left Board	x1
④	Right Board	x1

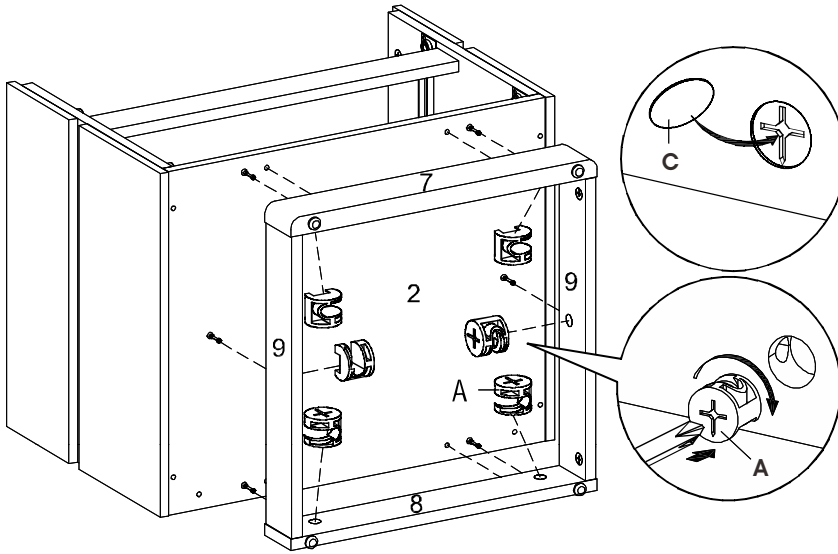
#### TOOLS

①	Phillips Head Screwdriver	x1
---	---------------------------	----

8.1 Attach Assembled Bottom to the Assembled unit as shown.

8.2 Insert Cam Lock (A) to assembled unit as shown, then tighten it using Phillips Head Screwdriver.

8.3 Paste Cam Sticker (C) to the Cam Lock (A).



#### HARDWARE

- A** Cam Lock Ø15mm x6
- C** Cam Sticker x6

#### COMPONENTS

- 2** Bottom Board x1
- 7** Bottom Front Support x1
- 8** Bottom Rear Support x1
- 9** Bottom Side Support x2

#### TOOLS

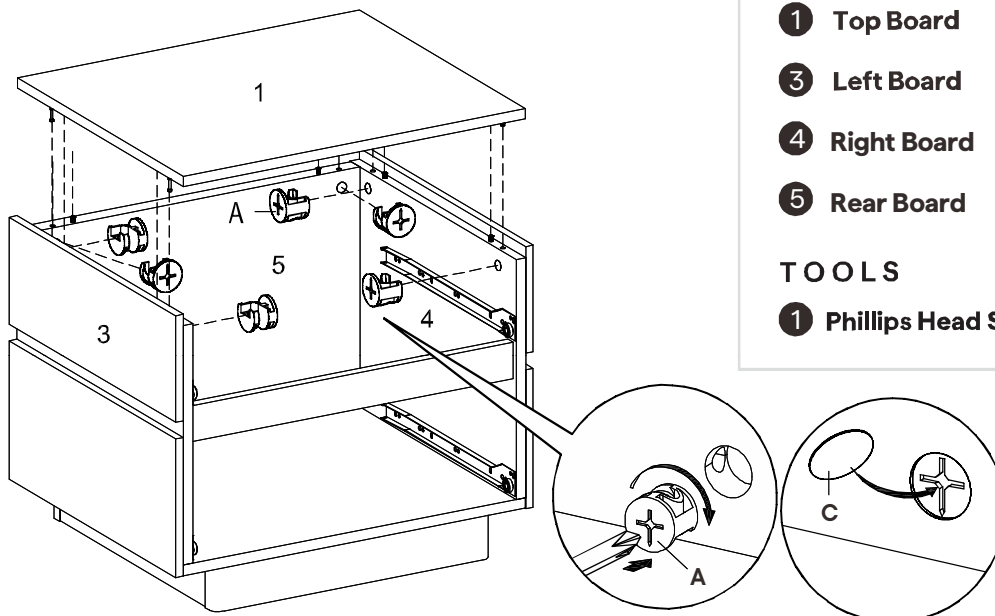
- 1** Phillips Head Screwdriver x1

## STEP 09

9.1 Attach Top Board (1) to the Assembled unit as shown.

9.2 Insert Cam Lock (A) to assembled unit as shown, then tighten it using Phillips Head Screwdriver.

9.3 Paste Cam Sticker (C) to the Cam Lock (A).



#### HARDWARE

- A** Cam Lock Ø15mm x6
- C** Cam Sticker x6

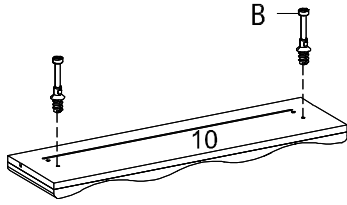
#### COMPONENTS

- 1** Top Board x1
- 3** Left Board x1
- 4** Right Board x1
- 5** Rear Board x1

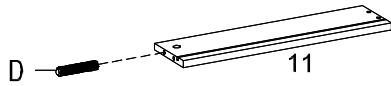
#### TOOLS

- 1** Phillips Head Screwdriver x1

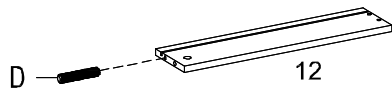
10.1 Insert and screw Cam Bolt (B) into Top Front Drawer (10).



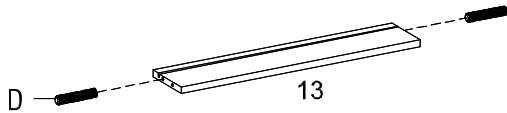
10.2 Insert Plastic Dowel (D) into Top Left Drawer (11) as shown.



10.3 Insert Plastic Dowel (D) into Top Right Drawer (12) as shown.



10.4 Insert Plastic Dowel (D) into Top Rear Drawer (13) as shown.



#### HARDWARE

- B** Cam Bolt  $\varnothing 7.5 \times 32\text{mm}$  x2
- D** Plastic Dowel M6 x 30mm x4

#### COMPONENTS

- 10** Top Front Drawer x1
- 11** Top Left Drawer x1
- 12** Top Right Drawer x1
- 13** Top Rear Drawer x1

#### TOOLS

- 1** Phillips Head Screwdriver x1

## STEP 11

#### HARDWARE

- E** Screw 10 x 33.5mm x2

#### COMPONENTS

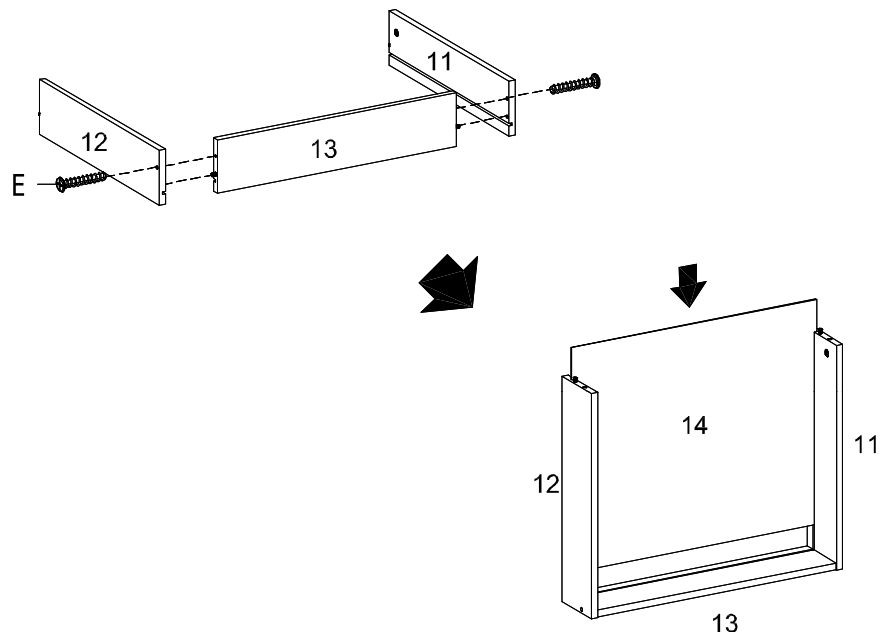
- 11** Top Left Drawer x1
- 12** Top Right Drawer x1
- 13** Top Rear Drawer x1
- 14** Bottom Drawer x1

#### TOOLS

- 1** Phillips Head Screwdriver x1

11.1 Attach Top Left Drawer (11) and Top Right Drawer (12) to Top Rear Drawer (13) using Screw (E).

11.2 Insert Bottom Drawer (14) into Drawer Assembled as shown.



## HARDWARE

- C** Cam Sticker x2
- I** Cam Lock Ø12mm x2

## COMPONENTS

- 10** Top Front Drawer x1
- 11** Top Left Drawer x1
- 12** Top Right Drawer x1
- 14** Bottom Drawer x1

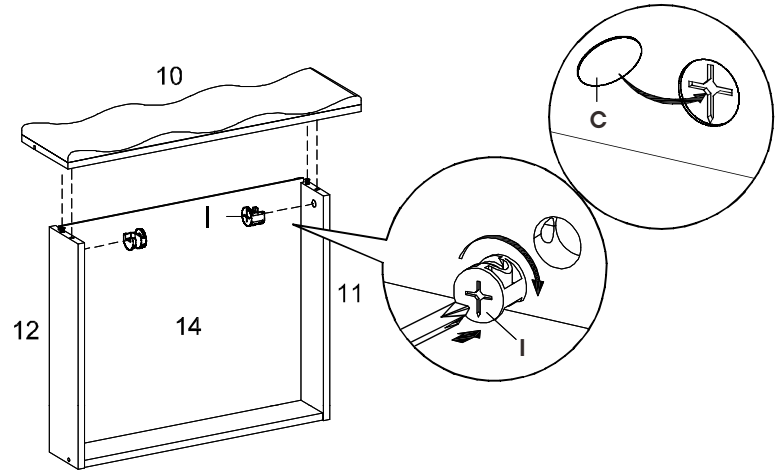
## TOOLS

- 1** Phillips Head Screwdriver x1

12.1 Attach Top Front Drawer (10) to the Drawer Assembled as shown.

12.2 Insert Cam Lock (I) to Drawer assembled as shown, then tighten it using Phillips Head Screwdriver.

12.3 Paste Cam Sticker (C) to the Cam Lock (I).



## STEP 13

## HARDWARE

- J** Backply Stopper x4
- K** Screw 4 x 19mm x4

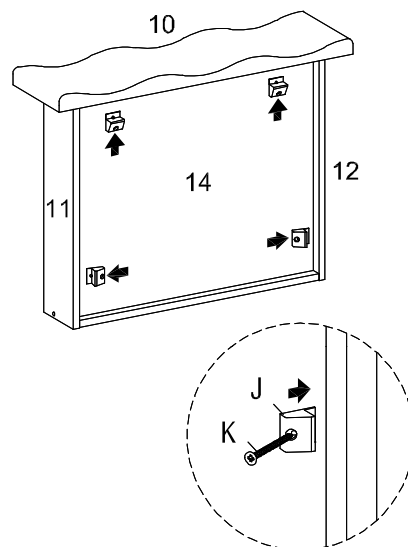
## COMPONENTS

- 10** Top Front Drawer x1
- 11** Top Left Drawer x1
- 12** Top Right Drawer x1
- 14** Bottom Drawer x1

## TOOLS

- 1** Phillips Head Screwdriver x1

13.1 Install Backply Stopper (J) on the bottom of the bottom drawer using screw (K).



## HARDWARE

- F** Drawer Rail x1
- H** Screw 6 x 13mm x4

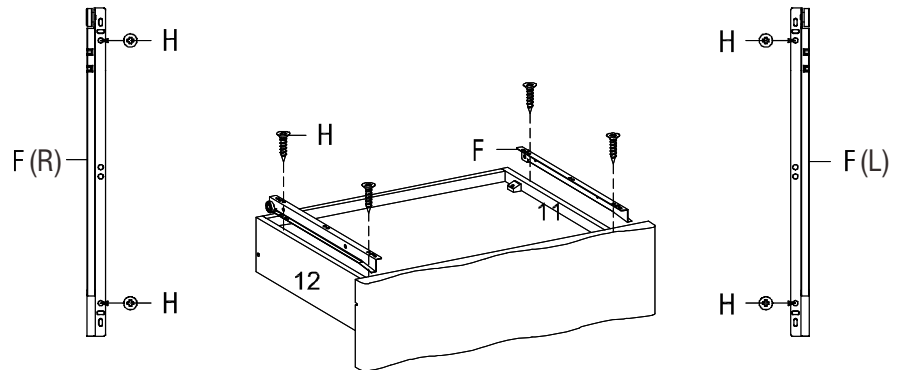
## COMPONENTS

- 11** Top Left Drawer x1
- 12** Top Right Drawer x1

## TOOLS

- 1** Phillips Head Screwdriver x1

14.1 Install Drawer Rail (F) to Drawer Assembled using screw (H).



## STEP 15

## HARDWARE

- B** Cam Bolt  $\text{\O}7.5 \times 32\text{mm}$  x2
- D** Plastic Dowel M6 x 30mm x8

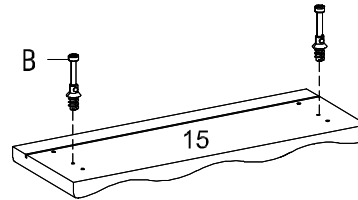
## COMPONENTS

- 15** Bottom Front Drawer x1
- 16** Bottom Left Drawer x1
- 17** Bottom Right Drawer x1
- 18** Bottom Rear Drawer x1

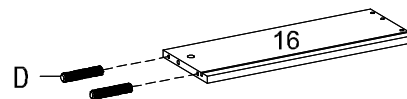
## TOOLS

- 1** Phillips Head Screwdriver x1

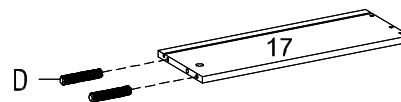
15.1 Insert and screw Cam Bolt (B) into Bottom Front Drawer (15).



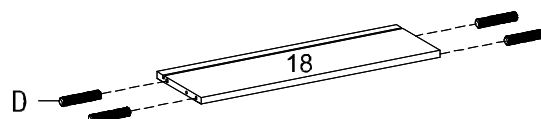
15.2 Insert Plastic Dowel (D) into Bottom Left Drawer (16) as shown.



15.3 Insert Plastic Dowel (D) into Bottom Right Drawer (17) as shown.



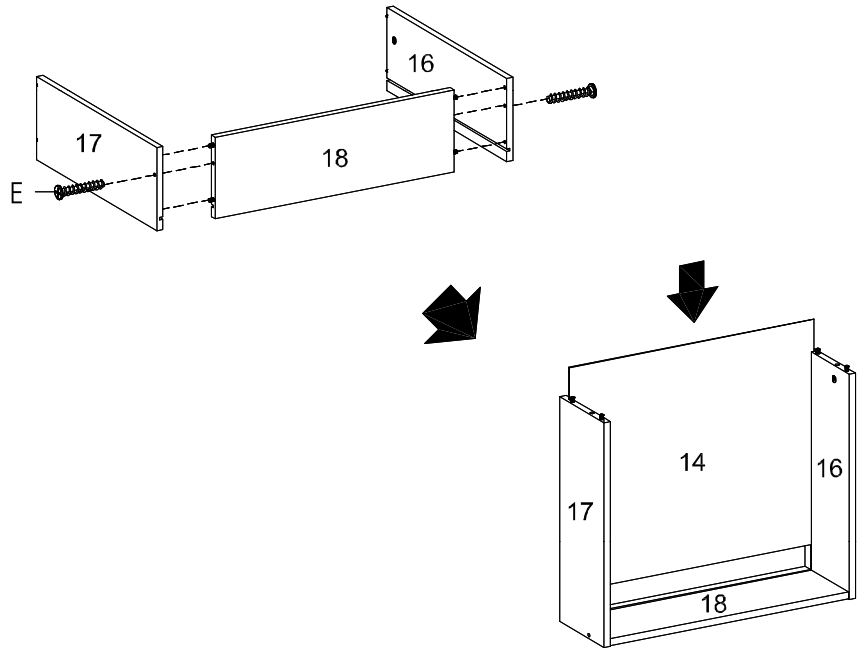
15.4 Insert Plastic Dowel (D) into Bottom Rear Drawer (18) as shown.



**HARDWARE****E** Screw 10 x 33.5mm x2**COMPONENTS****14** Bottom Drawer x1**16** Bottom Left Drawer x1**17** Bottom Right Drawer x1**18** Bottom Rear Drawer x1**TOOLS****1** Phillips Head Screwdriver x1

16.1 Attach Bottom Left Drawer (16) and Bottom Right Drawer (17) to Bottom Rear Drawer (18) using Screw (E).

16.2 Insert Bottom Drawer (14) into Drawer Assembled as shown.



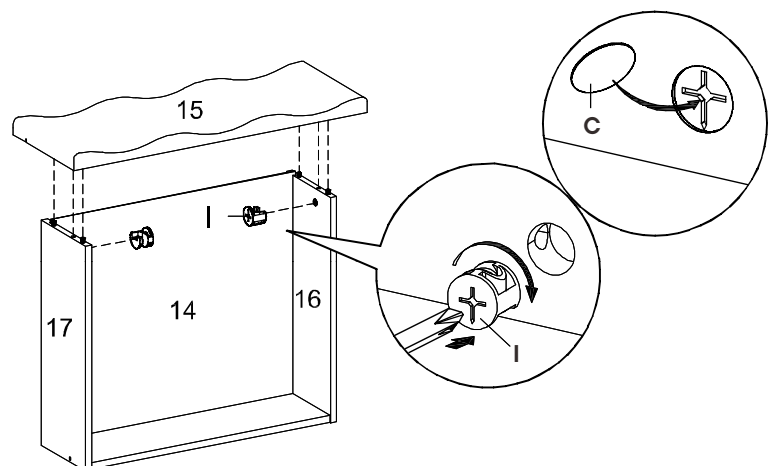
## STEP 17

**HARDWARE****C** Cam Sticker x2**I** Cam Lock Ø12mm x2**COMPONENTS****14** Bottom Drawer x1**15** Bottom Front Drawer x1**16** Bottom Left Drawer x1**17** Bottom Right Drawer x1**TOOLS****1** Phillips Head Screwdriver x1

17.1 Attach Bottom Front Drawer (15) to the Drawer Assembled as shown.

17.2 Insert Cam Lock (I) to Drawer assembled as shown, then tighten it using Phillips Head Screwdriver.

17.3 Paste Cam Sticker (C) to the Cam Lock (I).



**HARDWARE**

- J Backply Stopper** x4
- K Screw 4 x 19mm** x4

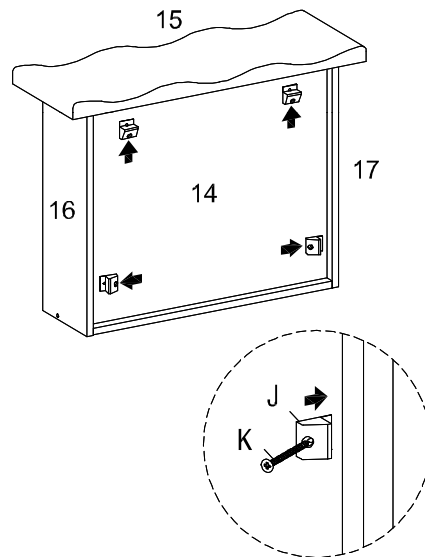
**COMPONENTS**

- 14 Bottom Drawer** x1
- 15 Bottom Front Drawer** x1
- 16 Bottom Left Drawer** x1
- 17 Bottom Right Drawer** x1

**TOOLS**

- 1 Phillips Head Screwdriver** x1

18.1 Install Backply Stopper (J) on the bottom of the bottom drawer using screw (K).



## STEP 19

**HARDWARE**

- F Drawer Rail** x1
- H Screw 6 x 13mm** x4

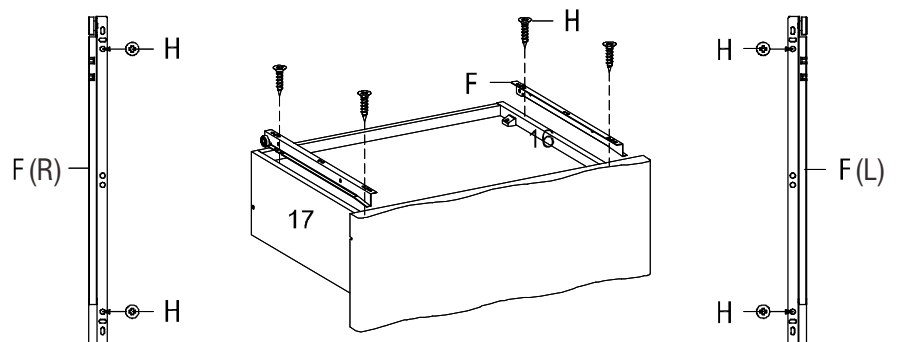
**COMPONENTS**

- 16 Bottom Left Drawer** x1
- 17 Bottom Right Drawer** x1

**TOOLS**

- 1 Phillips Head Screwdriver** x1

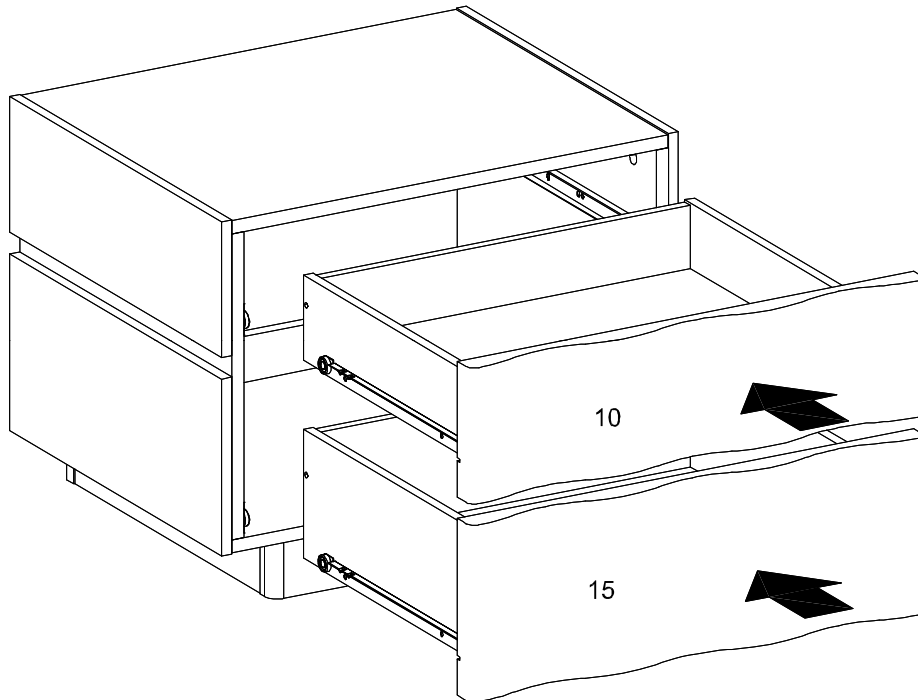
19.1 Install Drawer Rail (F) to Drawer Assembled using screw (H).



**COMPONENTS**

<b>10</b> Top Drawer	<b>x1</b>
<b>15</b> Bottom Drawer	<b>x1</b>

20.1 Insert Top Drawer and Bottom Drawer into Assembled Unit as shown.

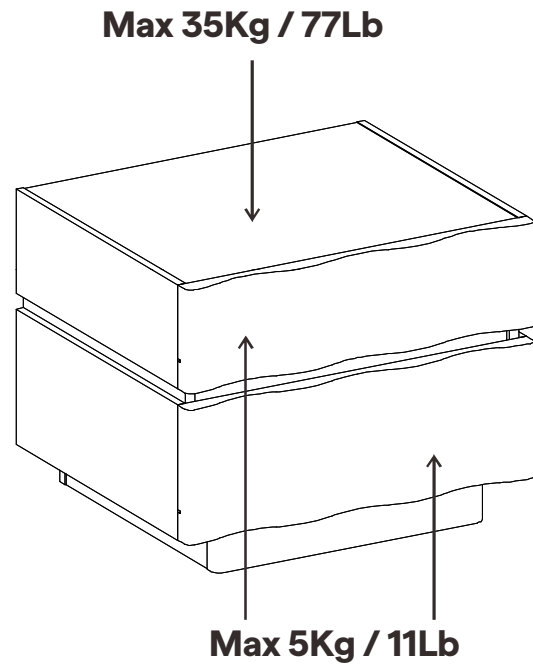


# Great job!

Nightstand assembly is complete.

## CARING FOR YOUR ITEM

- Indoor use only.
- Not contract grade.
- Clean using a non-abrasive cloth and a mild cleaner.
- Never use harsh chemicals, as they could damage the finish or integrity of the item.



## CONNECT WITH US!

Tag us @modway\_furniture and #modway for a chance to be featured.

# modway



Questions? Contact us!  
609.256.9000  
cs@modway.com