


TOV




## Follow us!

Show your new purchase some love by tagging it on our Instagram!

 @tovfurniture

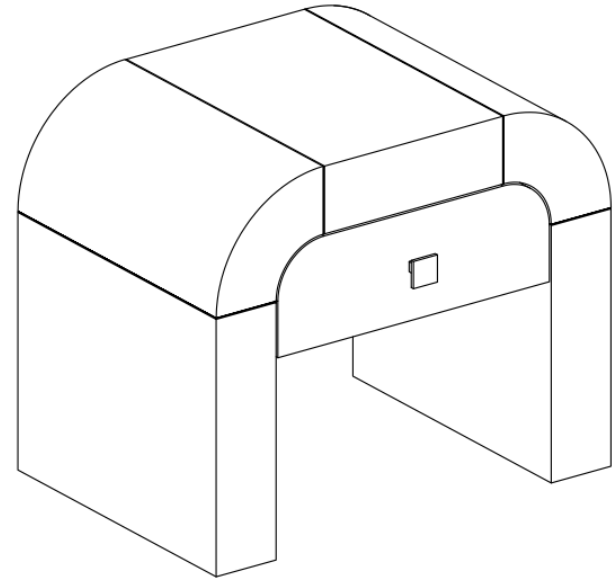
 516-888-3355

 [hello@tovfurniture.com](mailto:hello@tovfurniture.com)

 [www.tovfurniture.com](http://www.tovfurniture.com)

If the future is female—your furniture should be, too. No mahogany in sight. Sexy settees shaped like lips. Price points for any budget. At TOV, we do things differently.

TOV



## Hump Nightstand

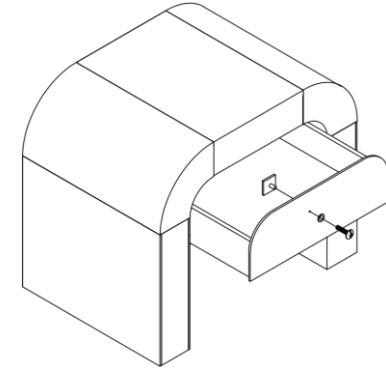
**DON'T BE BORING.**



### Step 1

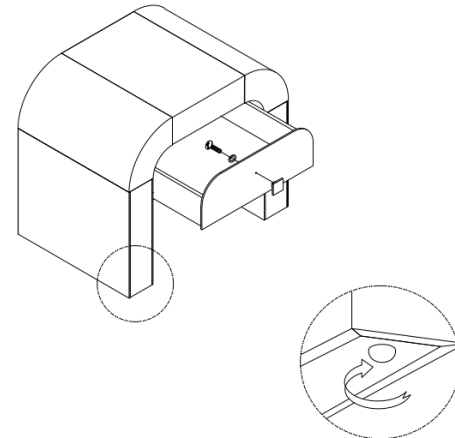
A. The handle is fitted inside the drawer, open the drawer, unscrew and remove the handle.

B. Attach the handle onto outside of drawer using the screw.



### Step 2

Adjust the leveler if needed. Complete!



Stuck?

Contact our team @ 516-888-3355

Scan for product care!

