


TOV




Follow us!

Show your new purchase some love by tagging it on our Instagram!

 @tovfurniture

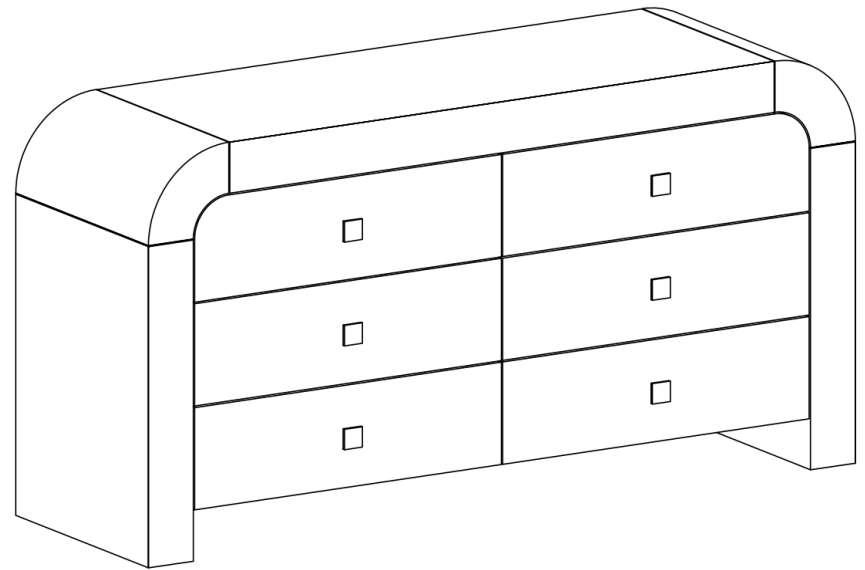
 516-888-3355

 hello@tovfurniture.com

 www.tovfurniture.com

If the future is female—your furniture should be, too. No mahogany in sight. Sexy settees shaped like lips. Price points for any budget. At TOV, we do things differently.

TOV

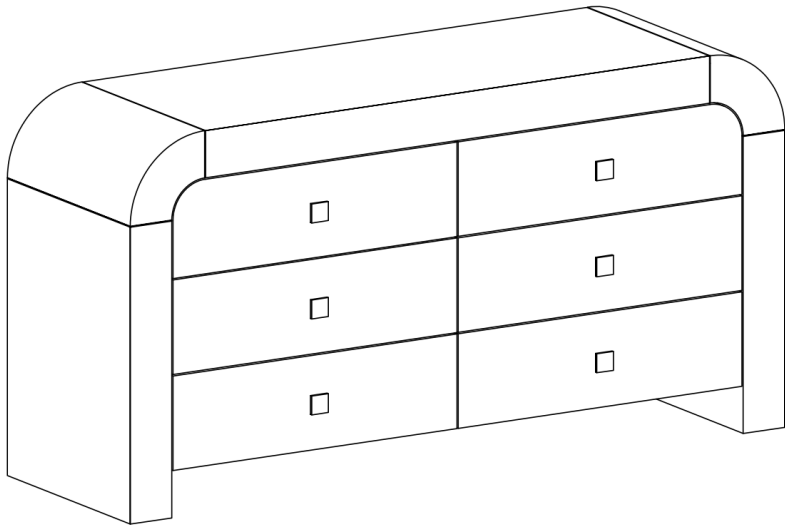


Hump Dresser

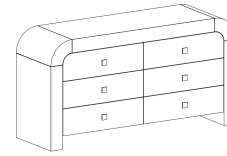
DON'T BE BORING.

Step 5

Complete!



Hardware and Components



----- **A** x 1 Dresser



----- **B** x 2 Anti-Tip Kits (set)

Step 1

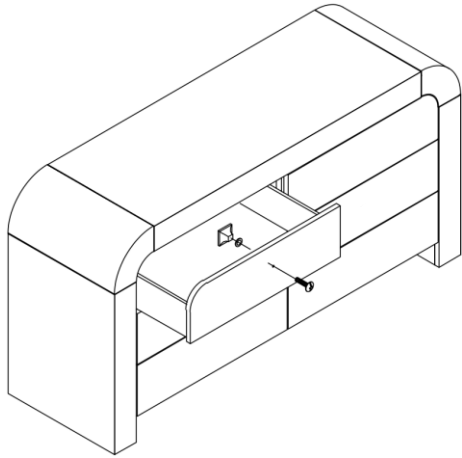
Open box of hardware and legs.

This hardware box will be a smaller box inside of the main box. Look for the red streamer.



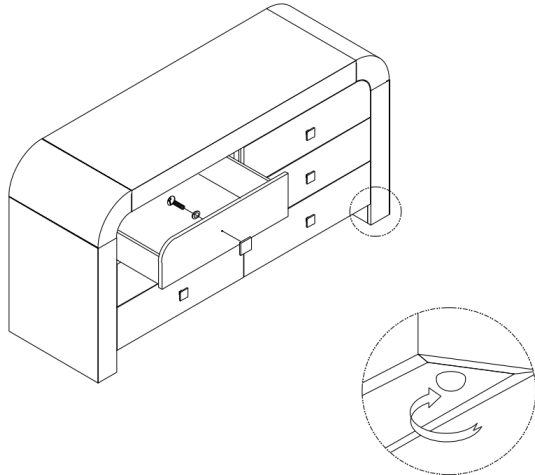
Step 2

- A. The handle is fitted inside the drawer, open the drawer, unscrew and remove the handle.
- B. Attach the handle onto outside of drawer using the screw



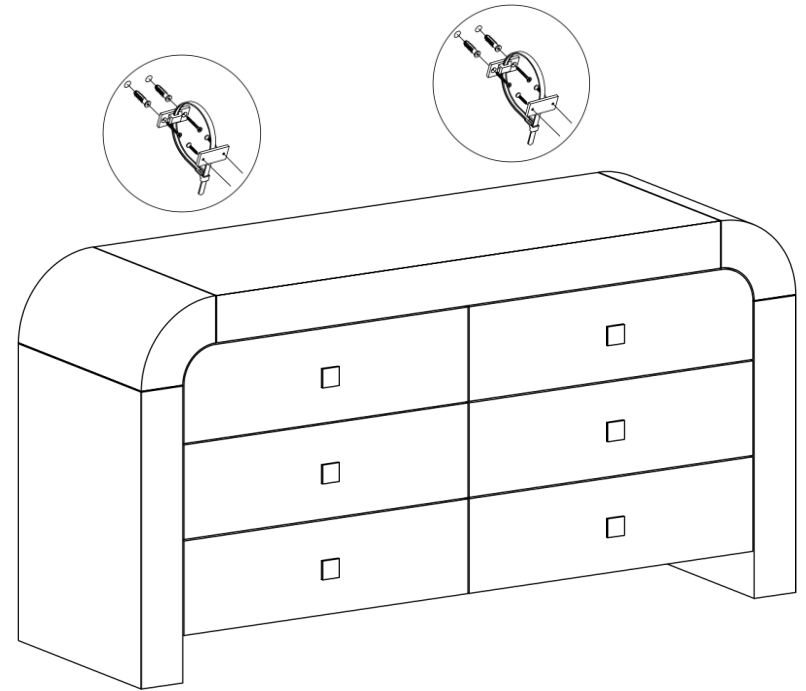
Step 3

Adjust the leveler if needed.



Step 4

Install the Anti-Tip Kits (B) to the back of the Dresser (A), and attach it securely to the wall.



Stuck?

Contact our team @ 516-888-3355

Scan for product care!

