


TOV




## Follow us!

Show your new purchase some love by tagging it on our Instagram!

 @tovfurniture

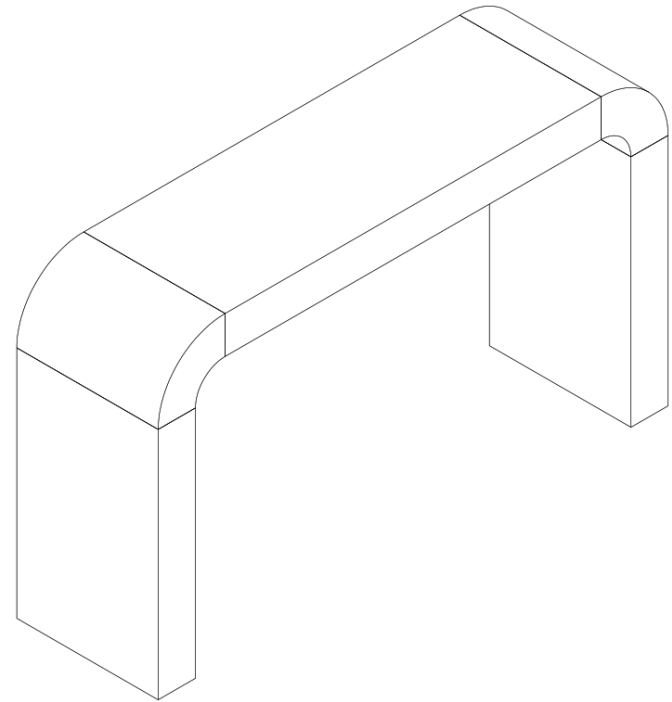
 516-888-3355

 [hello@tovfurniture.com](mailto:hello@tovfurniture.com)

 [www.tovfurniture.com](http://www.tovfurniture.com)

If the future is female—your furniture should be, too. No mahogany in sight. Sexy settees shaped like lips. Price points for any budget. At TOV, we do things differently.

TOV



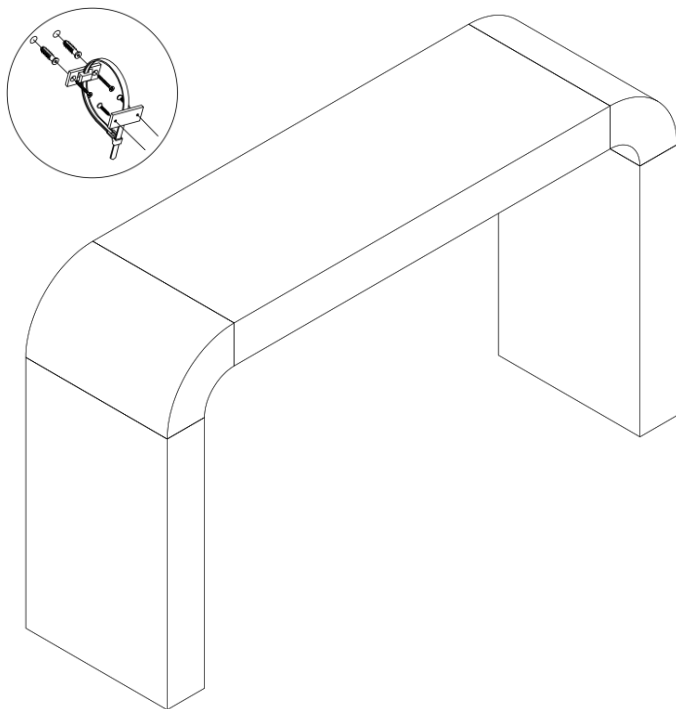
## Hump Console Table

**DON'T BE BORING.**



## Step 4

- A. Install the Anti-Tip Kits (G) to back of table top (A) and attach it securely to the wall.  
B. Complete!

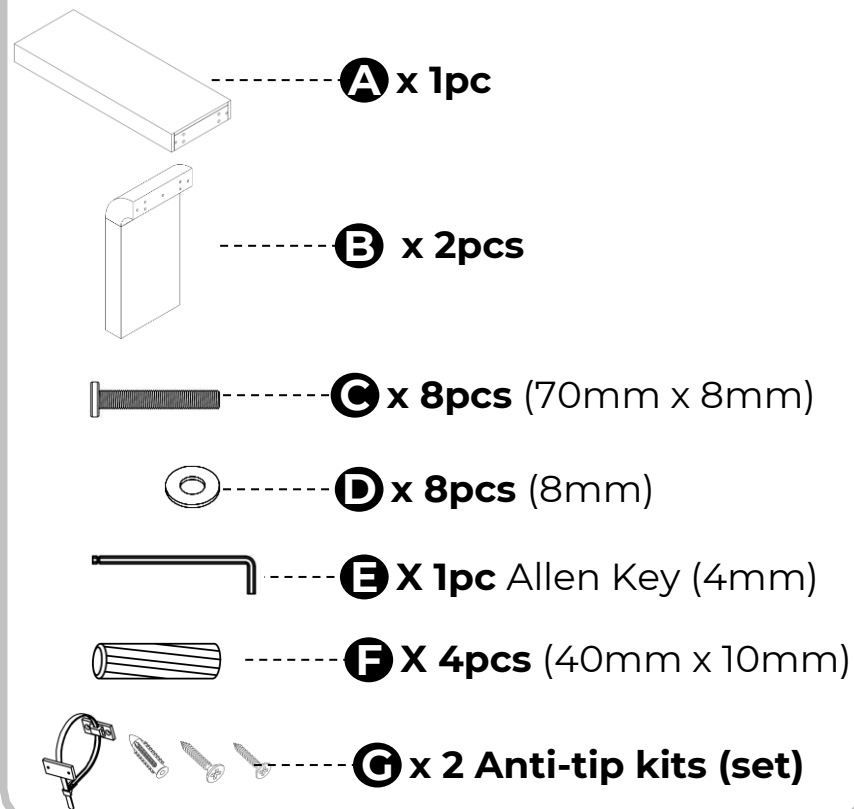


Stuck?  
Contact our team @ 516-888-3355

Scan for product care!



## Hardware and Components



## Step 1

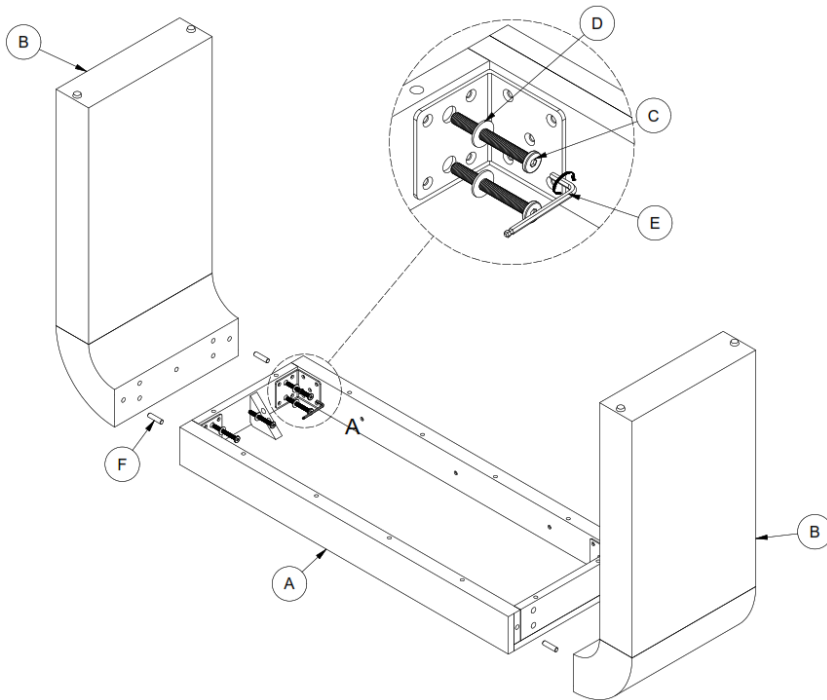
Open box of hardware and legs.

This hardware box will be a smaller box inside of the main box. Look for the red streamer.



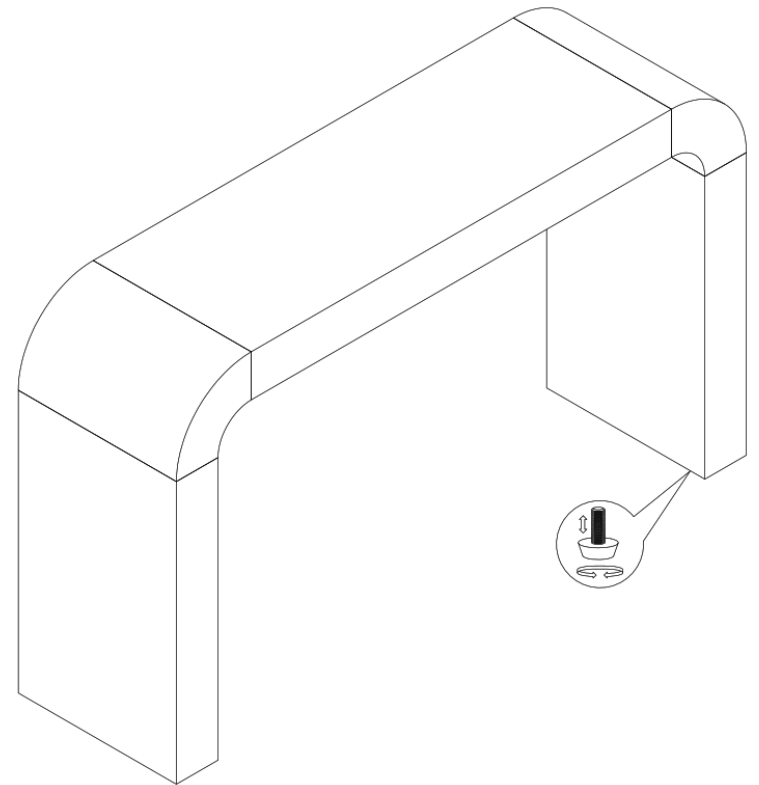
## Step 2

- A. Insert the Dowel (F) into the holes on apron of Table Top (A).
- B. Attach the Legs (B) to the Table Top (A) using hardware (C) and (D) with Allen Key (E).



## Step 3

- A. Turn the table over so it is standing in an upright position.
- B. Adjust the leveler on the bottom base if needed.



Stuck?  
Contact our team @ 516-888-3355

Scan for product care!

