


TOV




Follow us!

Show your new purchase some love by tagging it on our Instagram!

 @tovfurniture

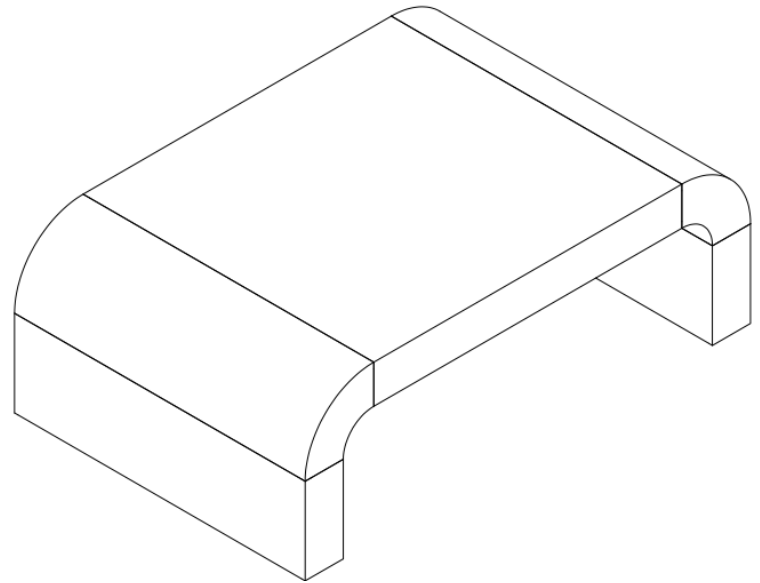
 516-888-3355

 hello@tovfurniture.com

 www.tovfurniture.com

If the future is female—your furniture should be, too. No mahogany in sight. Sexy settees shaped like lips. Price points for any budget. At TOV, we do things differently.

TOV



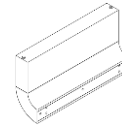
Hump Coffee Table

DON'T BE BORING.

Hardware and Components



A x 1pc



B x 2pcs



C x 10pcs (70mm x 8mm)



D x 10pcs (8mm)



E x 1pc Allen Key (4mm)



F x 4pcs (40mm x 10mm)

Step 1

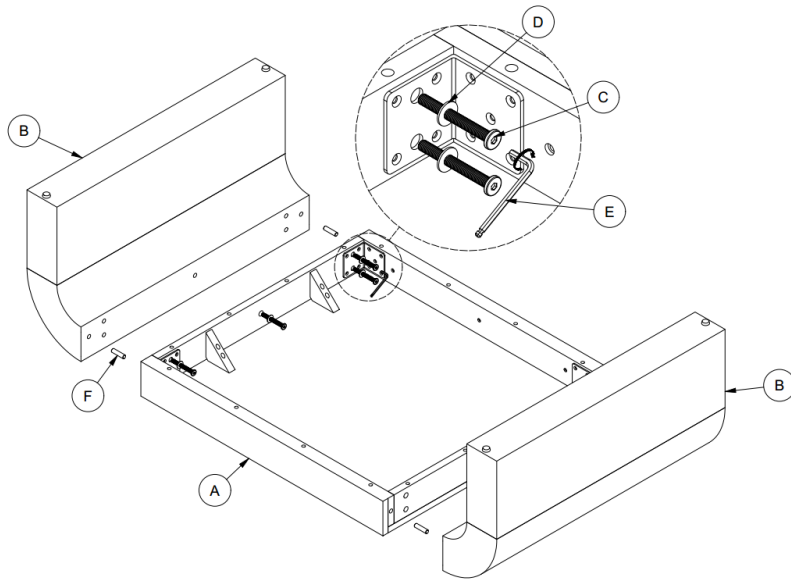
Open box of hardware and legs.

This hardware box will be a smaller box inside of the main box. Look for the red streamer.



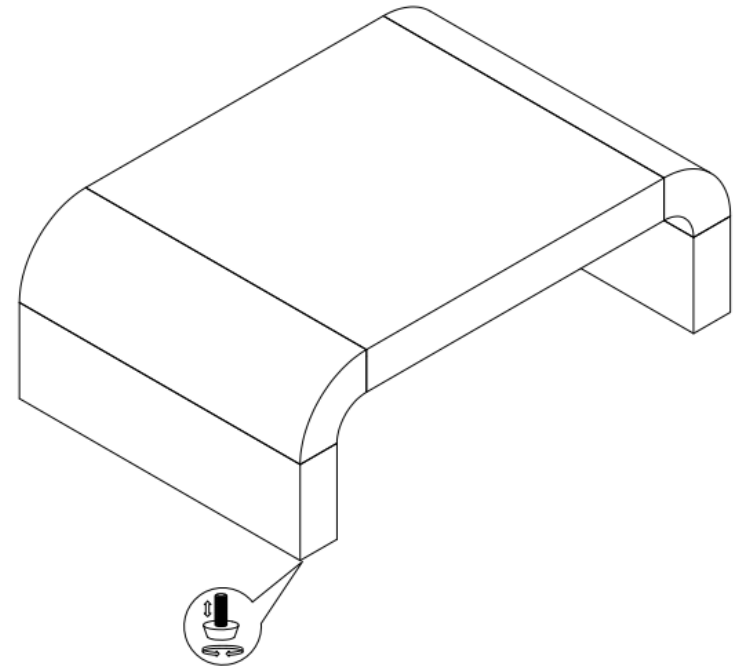
Step 2

- A. Insert the Dowel (F) into the holes on apron of Table Top (A).
- B. Attach the Legs (B) to the Table Top (A) using hardware (C) and (D) with Allen Key (E).



Step 3

- A. Turn the table over so it is standing in an upright position.
- B. Adjust the leveler on the bottom base if needed.
- C. Complete!



Stuck?
Contact our team @ 516-888-3355

Scan for product care!

