




Follow us!

Show your new purchase some love by tagging it on our Instagram!

 @tovfurniture

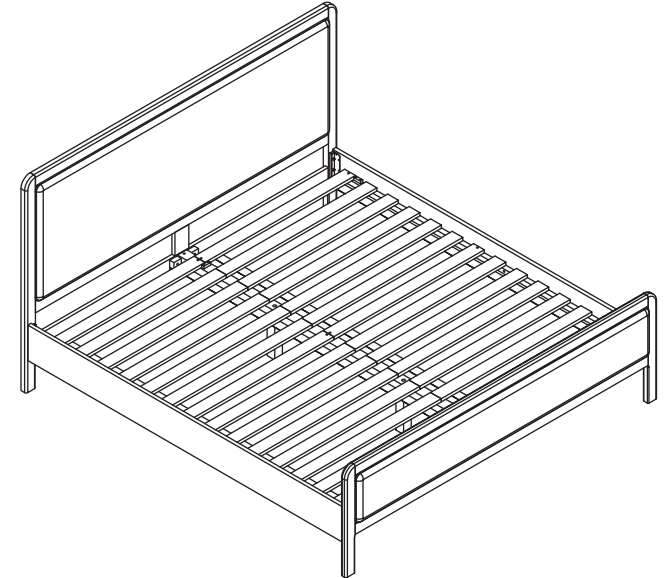
 516-888-3355

 hello@tovfurniture.com

 www.tovfurniture.com

If the future is female—your furniture should be, too. No mahogany in sight. Sexy settees shaped like lips. Price points for any budget. At TOV, we do things differently.

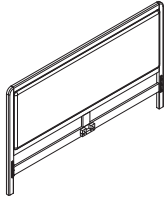
TOV



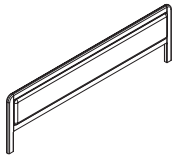
HELLA BED

DON'T BE BORING.

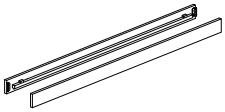
Hardware and Components



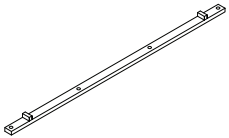
————— (A) x1pc



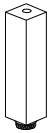
————— (B) x1pc



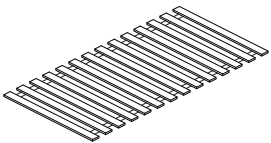
————— (C) x2pc



————— (D) x1pc



————— (E) x2pc

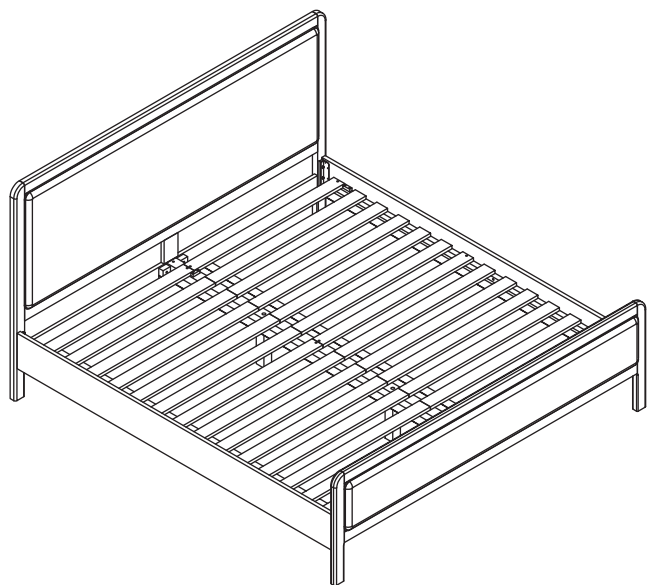


————— (F) x2pc

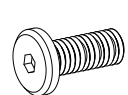


Stuck?
Contact our team @ 516-888-3355
Scan for product care!

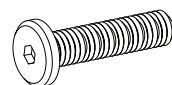
COMPLETE



Hardware and Components



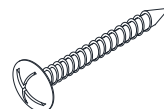
————— (G) Bolt M6*10 x 12pc



————— (H) Bolt M8x45 x 2pc



————— (I) Washer M8 x 2pcs



————— (J) Screw M4*30 x 14pc



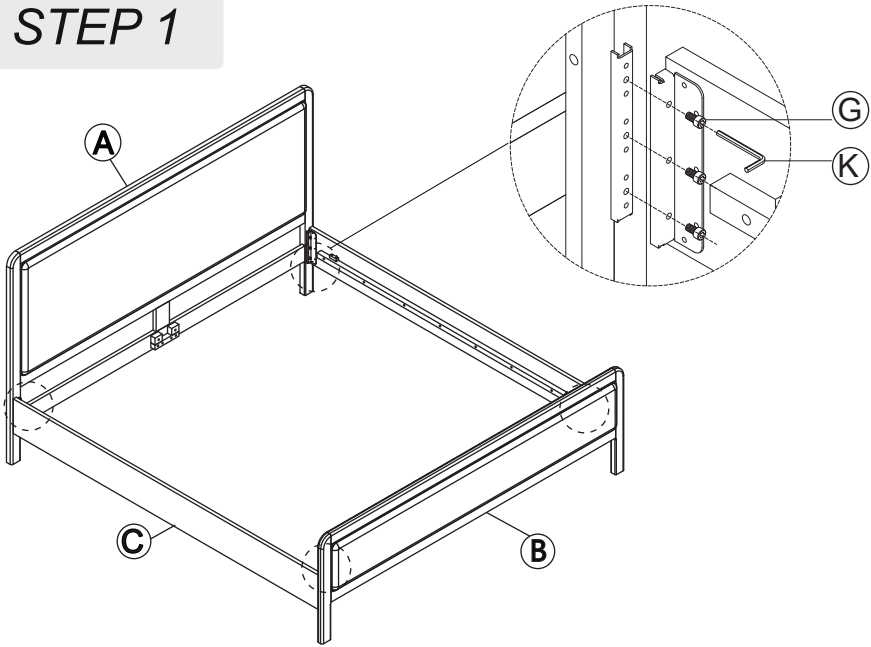
————— (K) Allenkey K4*60 x 2pc

Step 1
Open box of hardware and legs.

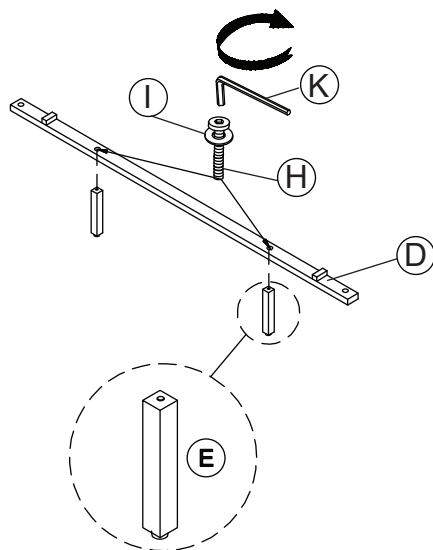
This hardware box will be a smaller box inside of the main box. Look for the red streamer.



STEP 1



STEP 2



STEP 3

