


# TOV



## Follow us!

Show your new purchase some love by tagging it on our instagram !

 @tovfurniture

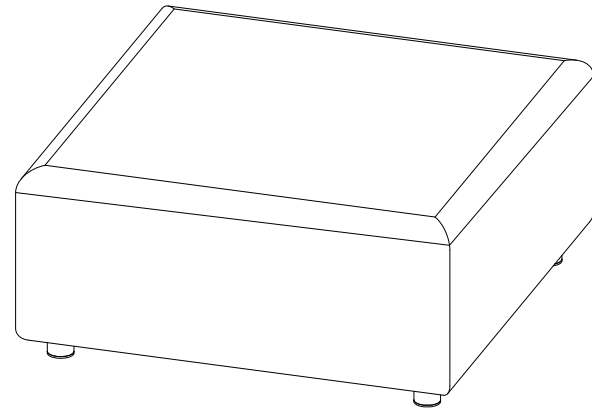
 516-888-3355

 hello@tovfurniture.com

 www.tovfurniture.com

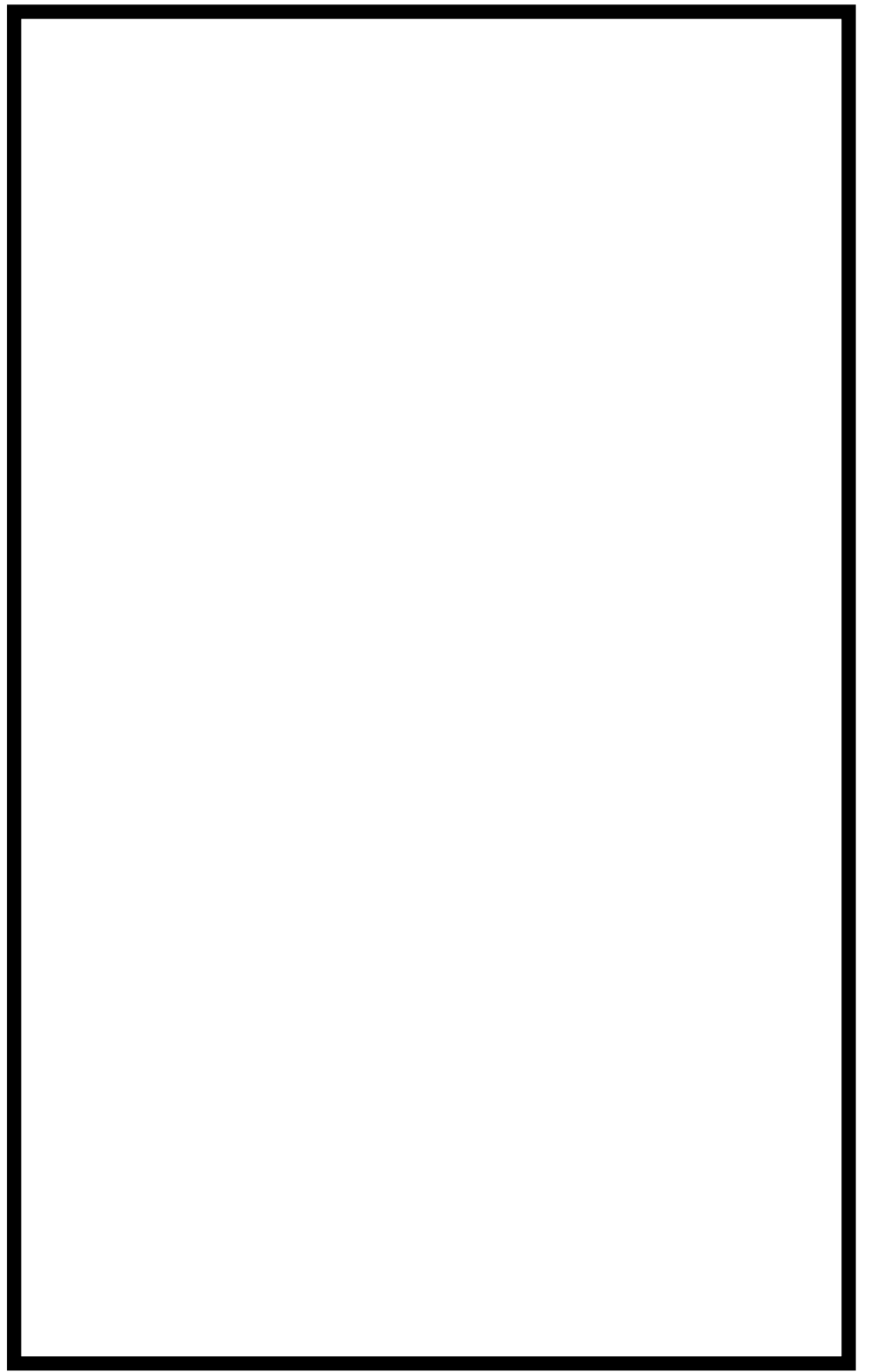
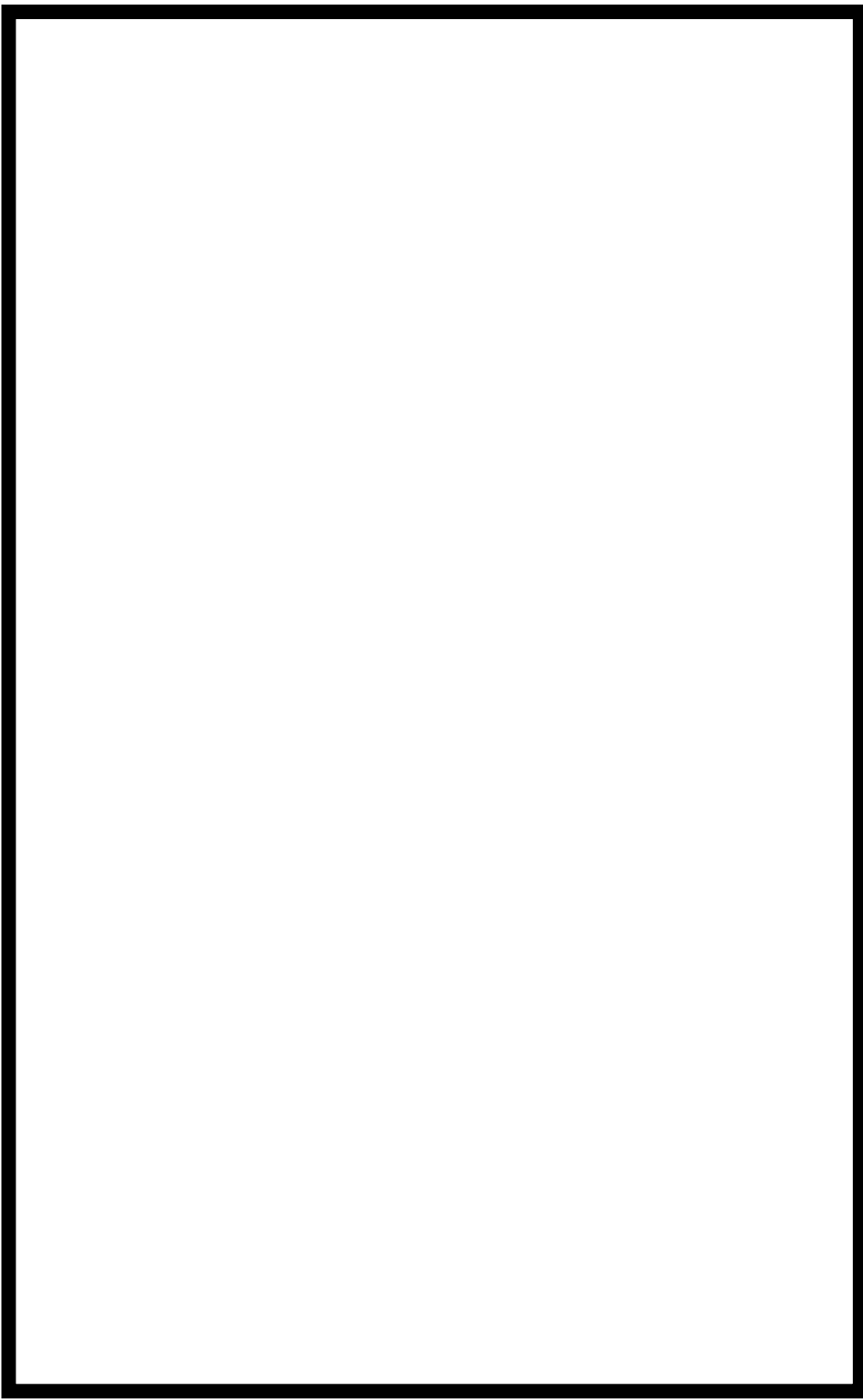
If the future is female—your furniture should be, too. No mahogay in sight. Sexy settees shaped like lips. Price points for any budget. At TOV, we do things differently.

# TOV



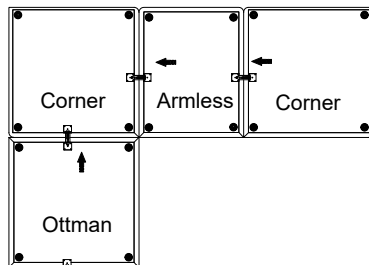
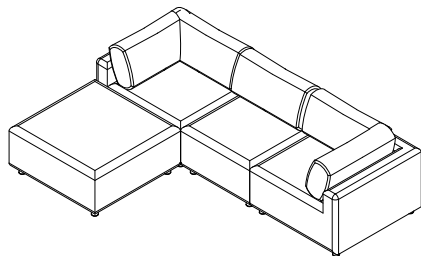
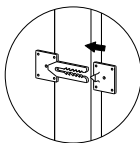
## Hangover Cream Outdoor Ottoman

**DON'T BE BORING.**

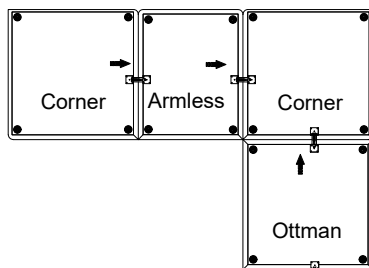
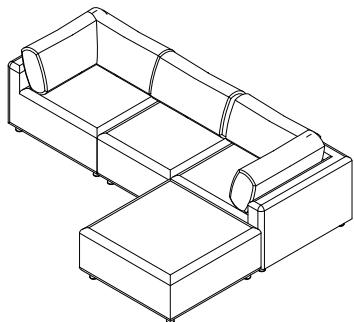


Below are suggestions for how you can combine chairs together.

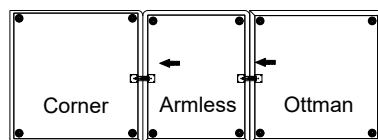
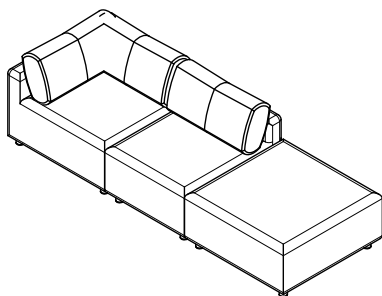
Option A:



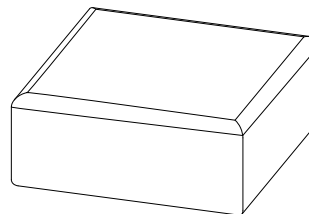
Option B:



Option C:



## Hardware and Components



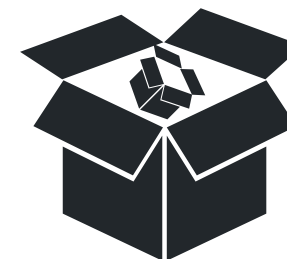
..... (A) x 1 pc



..... (B) x 4 pcs

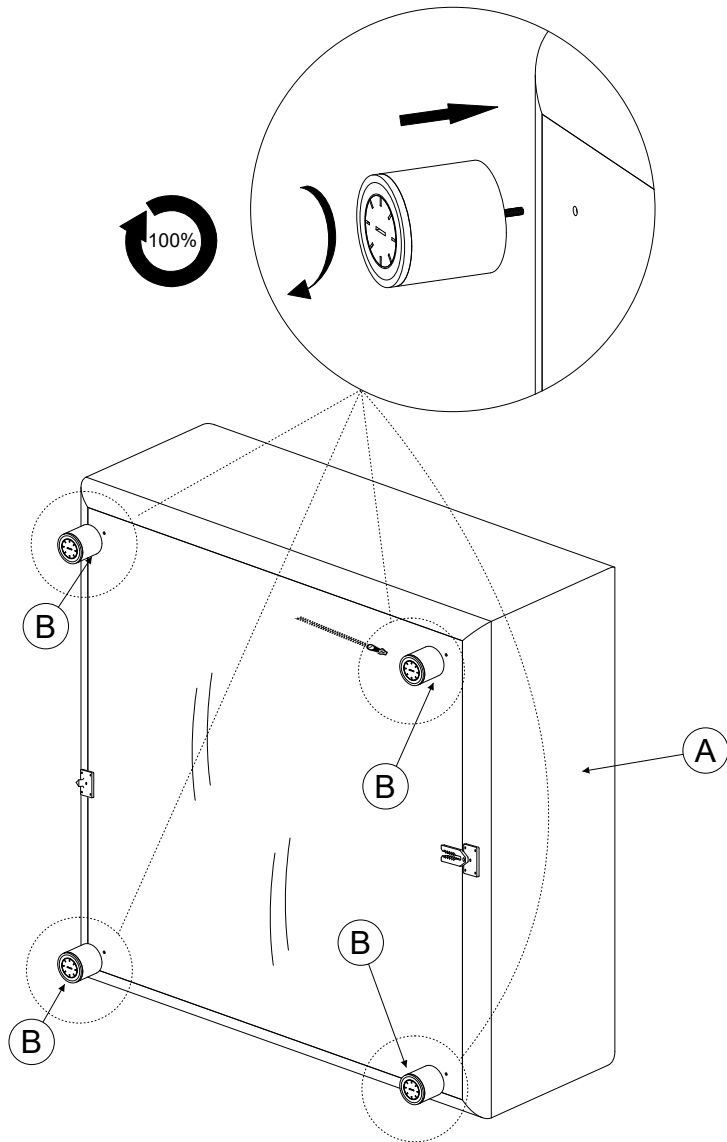
Step 1  
Open box of hardware and legs.

This hardware box will be a smaller box inside of the main box. Look for the red streamer.



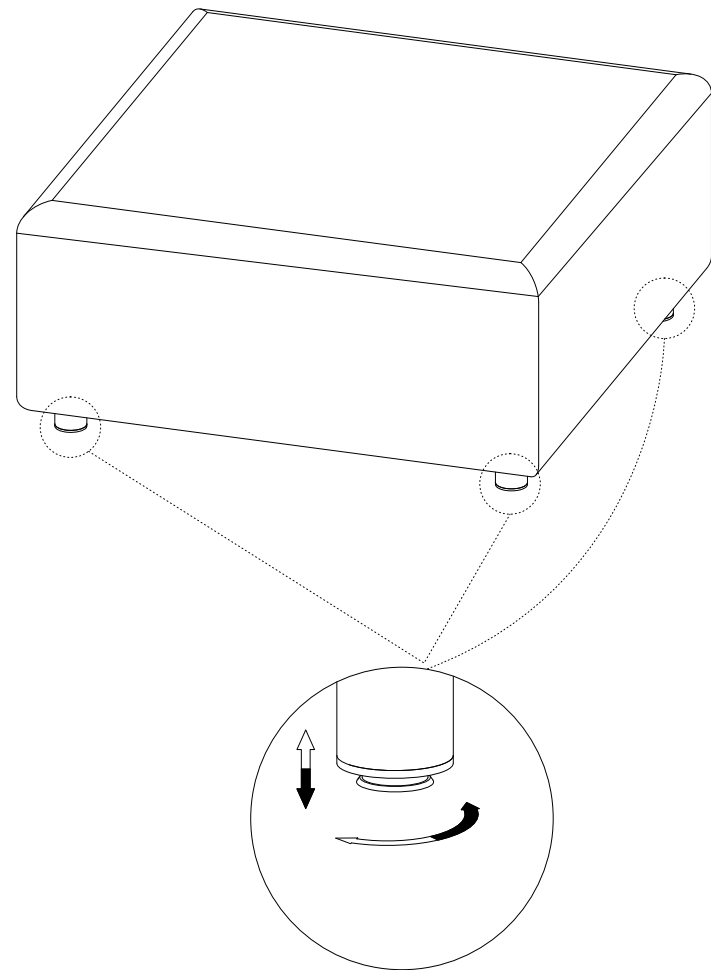
Step 2:

- 1) Place the chair (A) upside down & on a soft flat surface
- 2) Attach the chair legs (B) to the chair (A)



Step 3:

- Adjust the levelers on the feet of the legs as needed to get a level chair surface.



Stuck ?

Contact our team @ 516-888-3355

Scan for product care !

