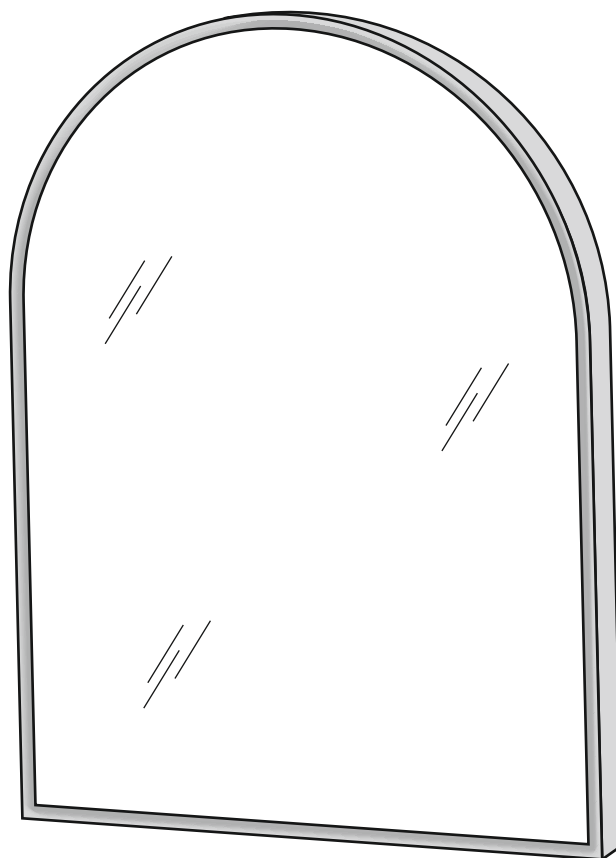


HADLEY WALL MIRROR


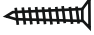
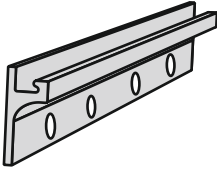
TOV

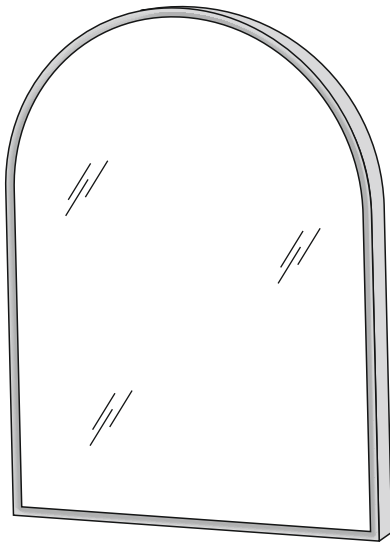
HADLEY

ASSEMBLY INSTRUCTIONS



PARTS LIST & HARDWARE LIST

LABEL	DESCRIPTIONS	PICTURE	QTY
A	WALL ANCHORS		6X
B	SCREWS		6X
C	WALL MOUNT		1X



Front View

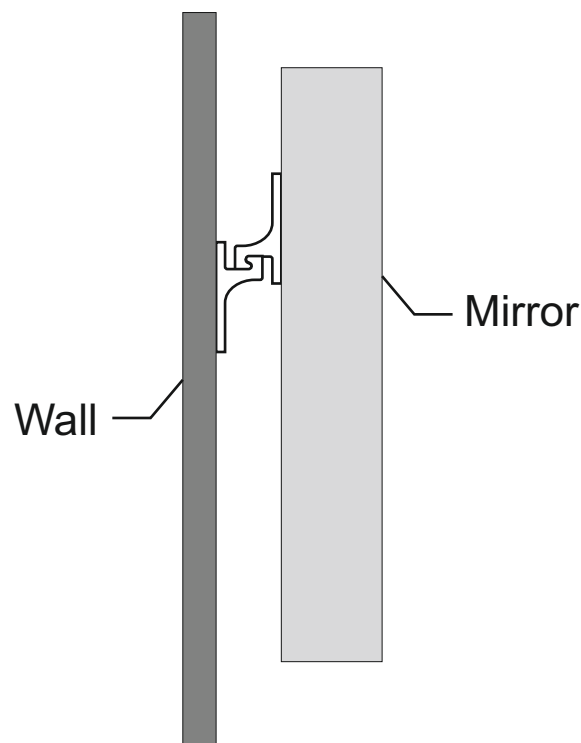


Back View

ASSEMBLY

- 1. Unwrap the product and place it on a flat surface.**
- 2. Do not discard any material or the instruction card until the assembly is completed.**
- 3. Using a pencil, mark the locations on the wall where the wall mount will line up. This is where the hardware will be installed.**
- 4. Make at least two holes in the wall with the help of a drill we recommend drilling 4 holes.**

5. Insert the wall anchors (A) into the holes in the wall, press and turn clockwise until the anchors are flush with the wall.
6. Install the wall mount (C) to the inserted wall anchors (A) in the wall with the help of provided screws (B).
7. Hang the mirror on the wall mount as illustrated and installation is complete.



CARE & MAINTENANCE

Do not use polishes or cleaners on your table.
USE DRY CLOTH TO CLEAN.

Thank you for purchasing the **Hadley Wall Mirror**
This page lists all contents included in the box.
Please take time to identify the all parts of this product.
As you unpack and prepare for assembly, place
the contents on a carpeted or padded area to protect them
from damage.

Need a part? Call TOV at 516-888-3355 or email service@tovfurniture.com