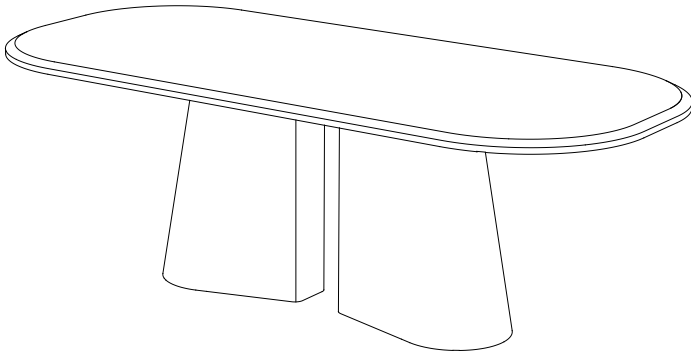


TOV



**Gladys
Dining
Table**

DON'T BE BORING.

Hardware and Components



----- ● A x1pc



----- ● B x1pc



----- ● C x2pcs



----- ● D x8pcs



----- ● E x8pcs



----- ● F x6pcs



----- ● G x6pcs



----- ● H x6pcs



----- ● I x1pc (Allen Key-4mm)

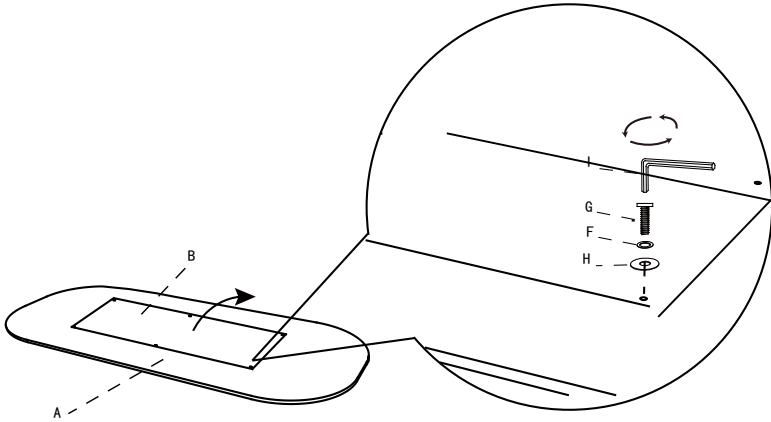
STEP 1

Open box of hardware and legs.
This hardware bag will be a smaller
bag inside of the main box. Look for
the red printing.



STEP 2

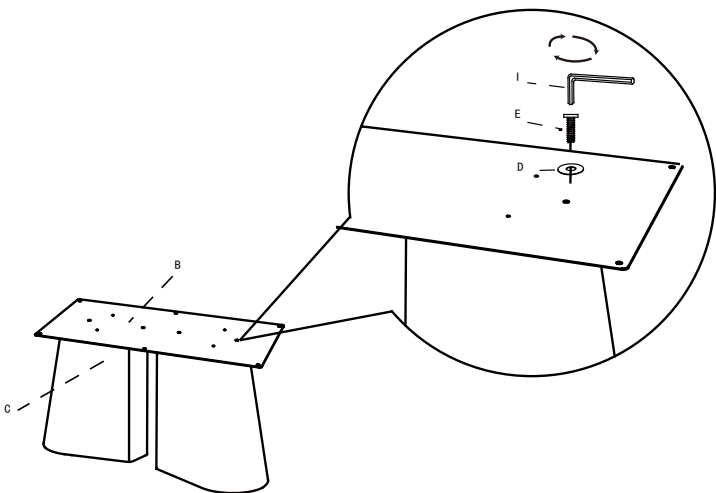
- A. Turn the table top (A) over.
- B. Remove the iron plate(B) from the table top.



STEP 3

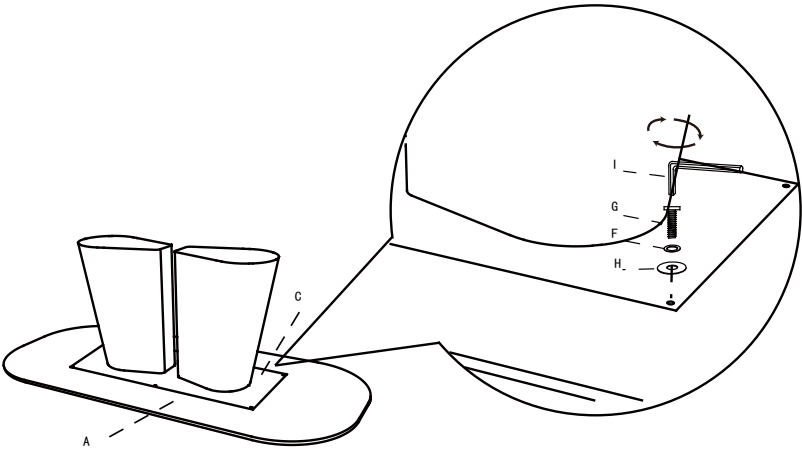
- A. Align iron plate (B) on top of the legs(C).

Tips: Align the holes in the table leg to the table top.



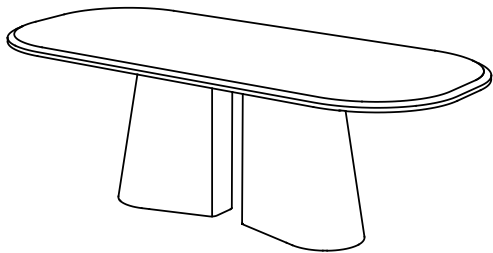
STEP 4

- A. Tip table back over.
- B. Using hardware (D,E,F,G) to secure the leg to the table top as shown below.



STEP 5

- A. Tip table back over.
- B. Complete !



Stuck?
contact our team @ 516-888-3355

Scan for product care!




TOV



Follow us!

Show your new purchase some love by tagging it on our Instagram!

 @tovfurniture

 516-888-3355

 hello@tovfurniture.com

 www.tovfurniture.com

If the future is female—your furniture should be, too. No mahogany in sight. Sexy settees shaped like lips. Price points for any budget. At TOV, we do things differently.