


TOV



Follow us!

Show your new purchase some love by tagging it on our Instagram!

 @tovfurniture

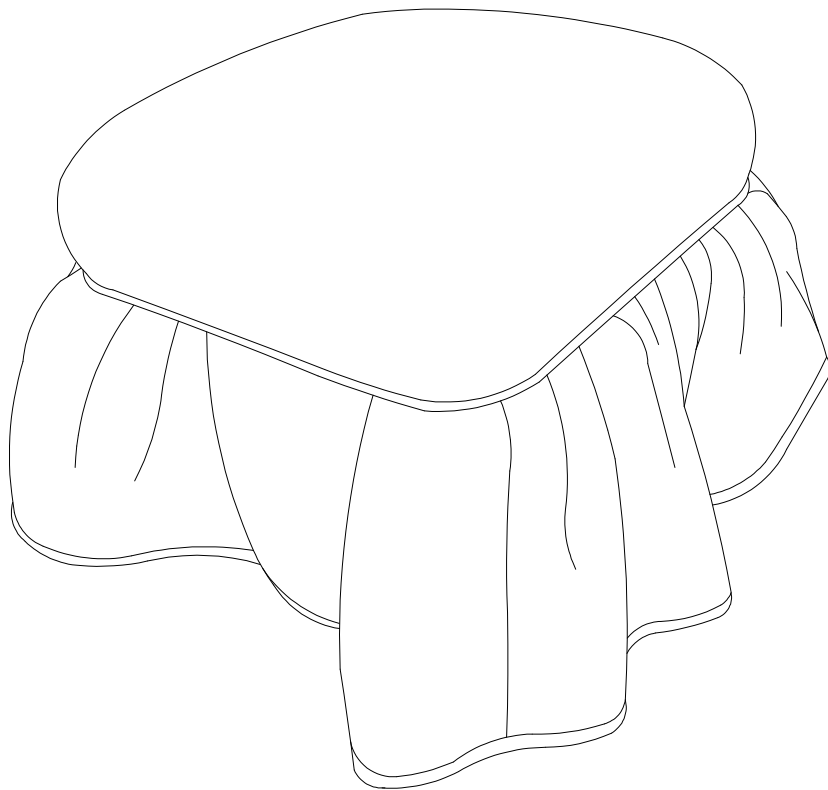
 516-888-3355

 hello@tovfurniture.com

 www.tovfurniture.com

If the future is female—your furniture should be, too. No mahogany in sight. Sexy settees shaped like lips. Price points for any budget. At TOV, we do things differently.

TOV



GERTRUDE OTTOMAN
DON'T BE BORING.

Hardware and Components



..... **A** x 1 pc Chair Body



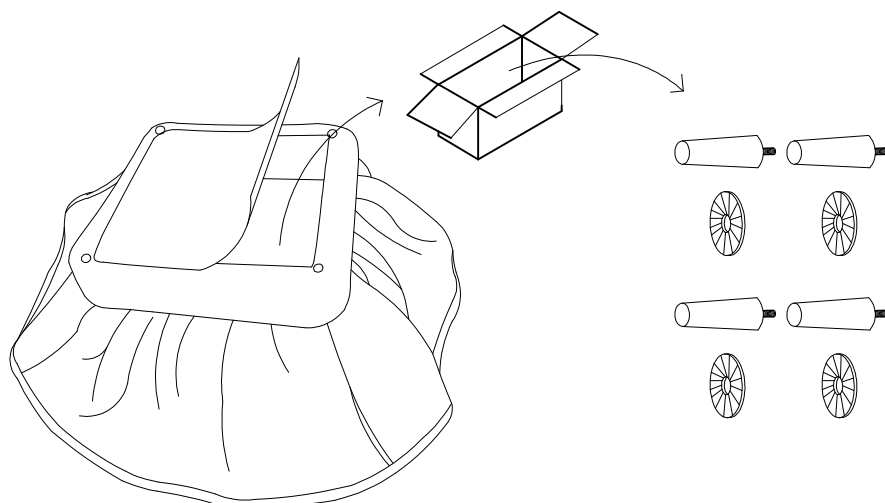
..... **B** x 4 pcs Legs



..... **C** x 4 pcs Plastic Washer

STEP 1:

- A.** Turn the chair over and get the cardboard box of components out from the bottom. Remove the hardware bag and legs from the box.

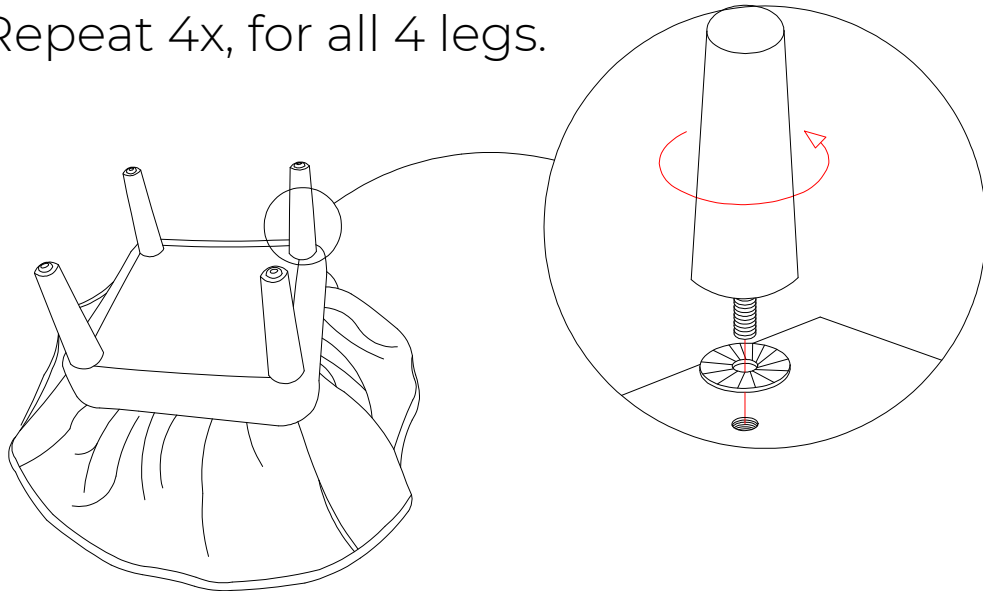


STEP 2:

A. Align the leg (B) to the hole underneath the chair with pre-installed threaded nuts.

B. Tighten the leg.

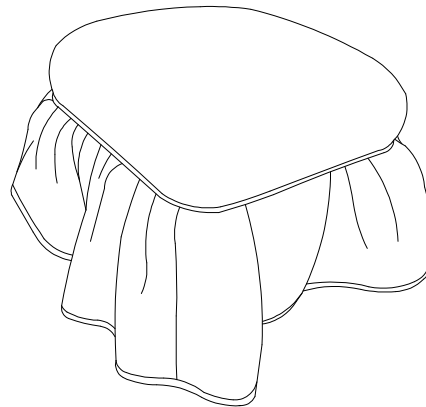
C. Repeat 4x, for all 4 legs.



STEP 3:

A. Turn the chair over, so it is standing in the upright position.

B. Complete, enjoy your chair!



Stuck?
Contact our team @ 516-888-3355

Scan for product care!

