

TOV



Follow us!

Show your new purchase some love by tagging it on our Instagram!



@tovfurniture



516-888-3355



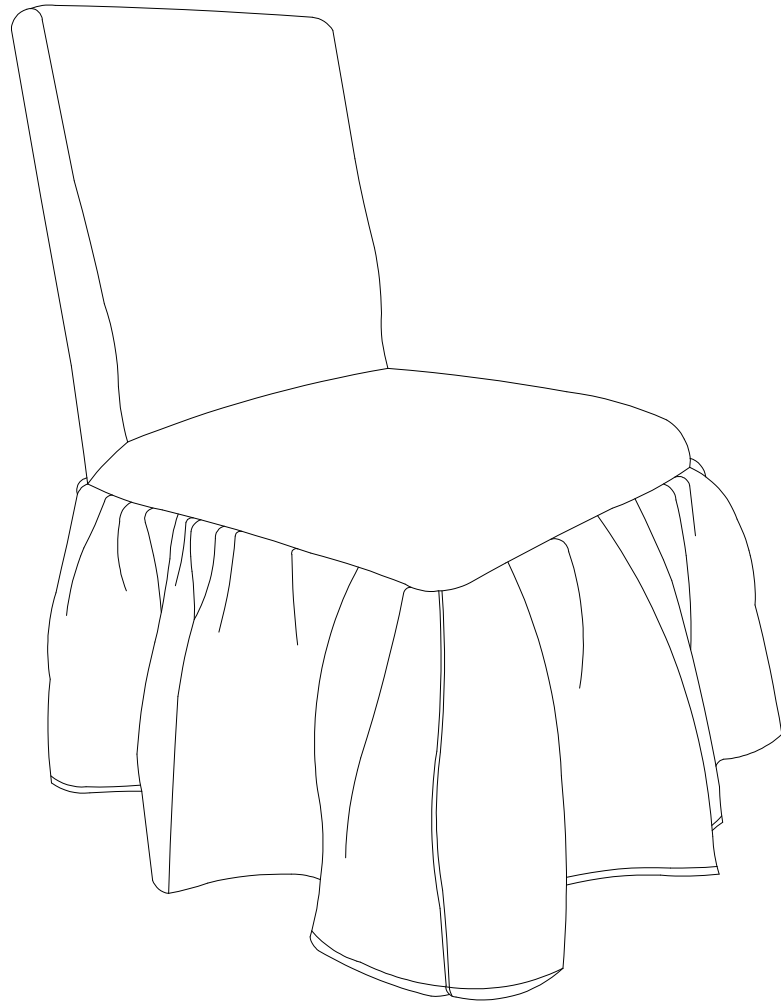
hello@tovfurniture.com



www.tovfurniture.com

If the future is female—your furniture should be, too. No mahogany in sight. Sexy settees shaped like lips. Price points for any budget. At TOV, we do things differently.

TOV



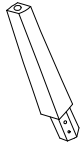
**GERTRUDE DINING
CHAIR**

DON'T BE BORING.

Hardware and Components



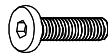
..... **A** x1pc Chair Body



..... **B** x4pcs Legs



..... **C** x 1pc Allen Wrench



..... **D** x8pcs Screws (20 x 50mm)



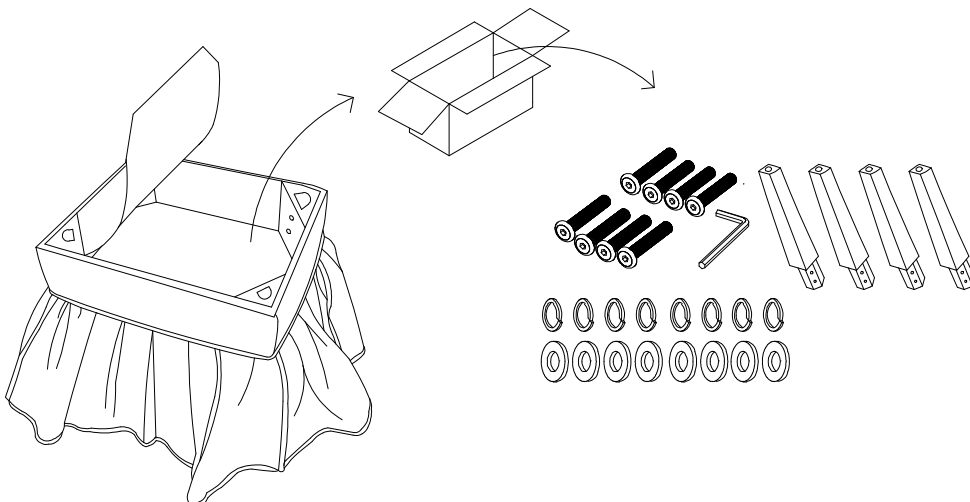
..... **E** x8pcs Spring Washes



..... **F** x8pcs Flat Washers

STEP 1:

A. Turn the chair over and get the cardboard box of components out from the bottom. Remove the hardware bag and legs from the box.

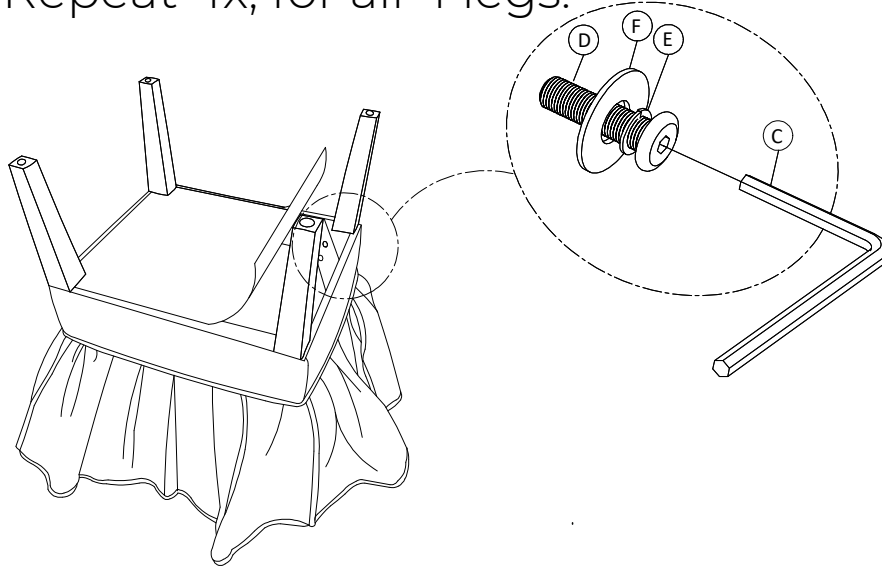


STEP 2:

A. Align the leg (B) to the hole underneath the chair with pre-installed threaded nuts.

B. Tighten the leg as illustrated.

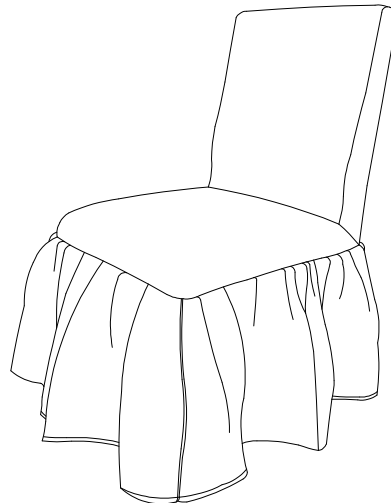
C. Repeat 4x, for all 4 legs.



STEP 3:

A. Turn the chair over, so it is standing in the upright position.

B. Complete, enjoy your chair!



Stuck?
Contact our team @ 516-888-3355

Scan for product care!

