



TOV





Follow us!

Show your new purchase some love by tagging it on our Instagram !

 @tovfurniture

 516-888-3355

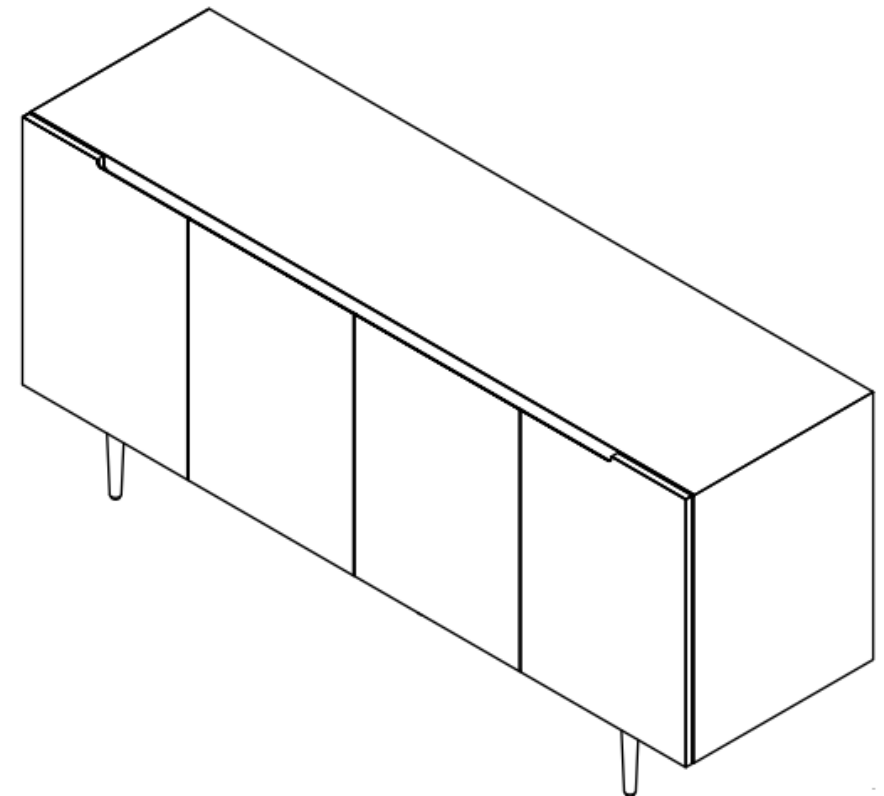
 hello@tovfurniture.com

 www.tovfurniture.com

If the future is female- your furniture should be, too. No mahogany in sight. Sexy settees shaped like lips. Price points for any budget.

At TOV, we do things differently.

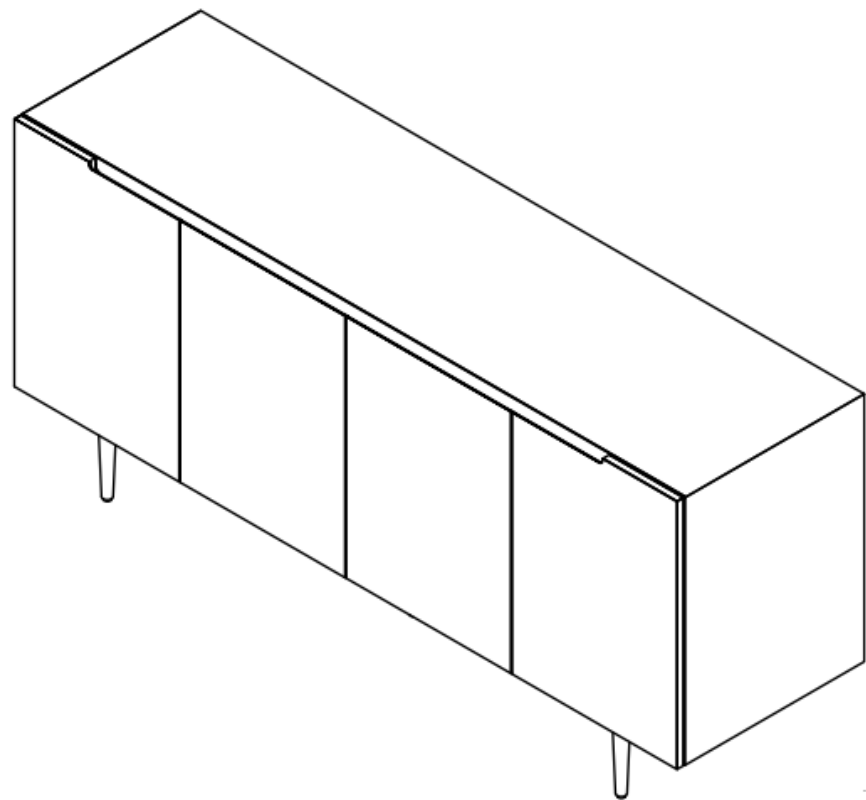
TOV



ECHO SIDEBOARD

DON'T BE BORING.

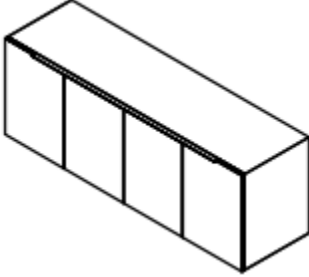










FINISH



Stuck?
Contact our team @ 516-888-3355
Scan for product care!



Hardware and Components

-  **A** x1pc
-  **B** x2pcs
-  **C** x1pc
-  **D** x8pcs
-  **E** x8pcs
-  **F** x8pcs
-  **G** x2pcs
-  **H** x4pcs
-  **I** x4pcs
-  **J** x4pcs
-  **K** x1pc

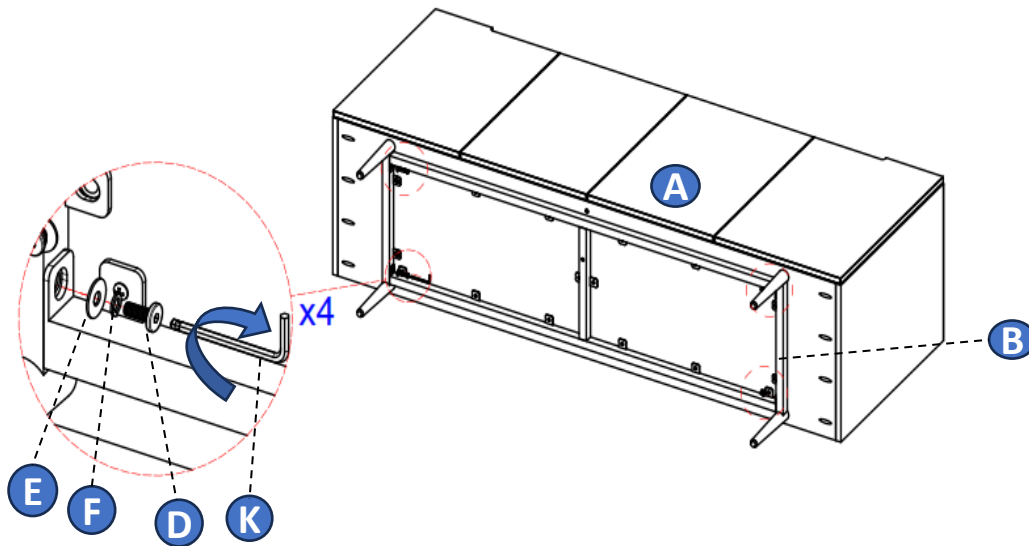
STEP 1

Open box of hardware and legs.
This hardware box will be a smaller box inside of the main box. Look for the red streamer.



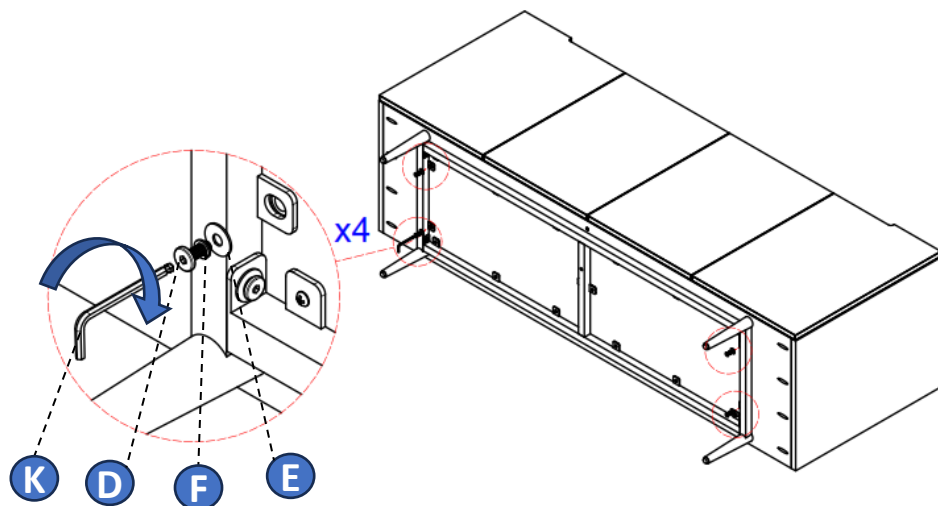
STEP 2

1. Place the sideboard (A) with the back down on a flat and soft surface.
2. Attach both legs (B) to the preinstalled frame on the bottom of sideboard (A) with hardware (D), (E) & (F) by Allen key (K).



STEP 3

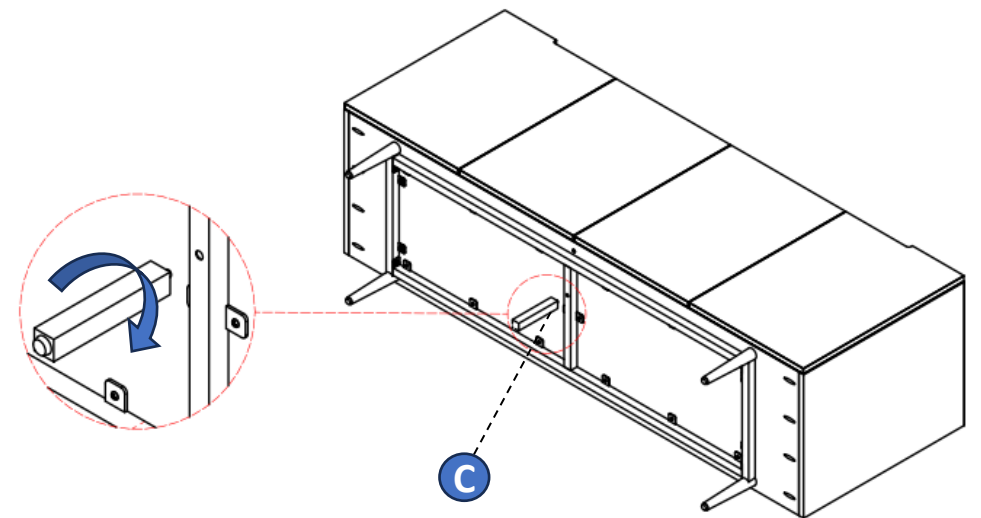
3. Secure the legs (B) to the base of sideboard (A) with hardware (D), (E) & (F) by Allen key (K).



Note: Please screw the screws/bolts at 80%, and fully tighten them after all screws/bolts are fully in place.

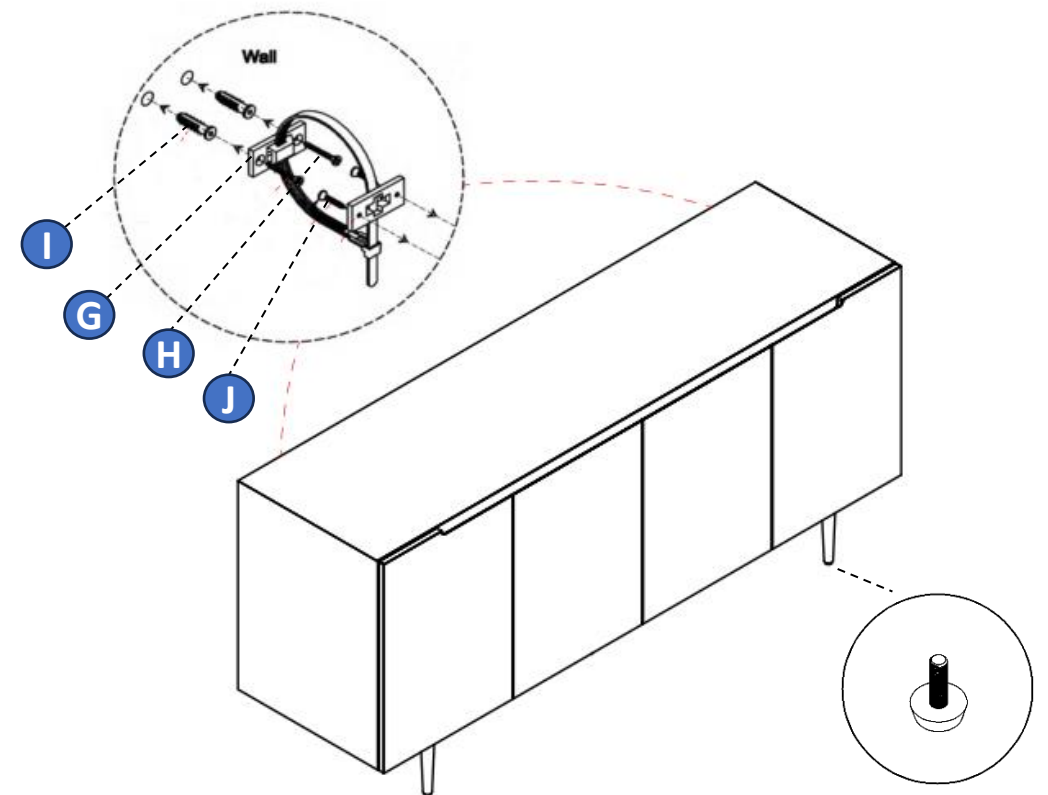
STEP 4

4. Attach middle leg (C) to the frame as shown.



STEP 5

5. Install the Anti Tip Kits (G) to the back of the sideboard, and attach it securely to the wall.



Adjust levelers on floating center legs to allow for a 2-3mm clearance