

ASSEMBLY INSTRUCTIONS

Dining chair

EI-7761,7762 / V1.28.05.26

modway



Questions? Contact us!
609.256.9000
cs@modway.com

Welcome.

Let's get started.

Before you begin, here are some things to keep in mind:

Assembly will take most people **about 30 minutes**. Consider having a friend help you!

Only use hand tools to assemble this item. Do not use power tools. Do not tighten bolts or screws completely until all hardware is lined up and inserted into the holes.

Read through all of the instructions before starting. Make sure you have all parts and components before discarding any packing materials.

Do not over-tighten screws and bolts to avoid stripping the hardware or cracking the item.

Assemble your item on a flat, carpeted area, with plenty of space to work. This will prevent damage and scratches to your floors or the item while you're assembling the product.

Keep all components and packaging out of reach of children or animals to avoid risk of choking or suffocation.






Care instructions are listed in the last step of this manual.

WAIT!

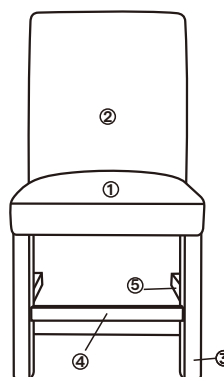
Missing parts or hardware? Need assistance?
Contact us before returning your item.
We're here to help!



HARDWARE INCLUDED IN THE BOX:

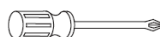
A	 Bolt M8x50mm	x4
B	 Bolt M8x60mm	x4
C	 Screw 50mm	x6
D	 Flat Washer M8	x8
E	 Allen Key	x1

FURNITURE COMPONENTS:



1	Chair Seat	x1
2	Chair Backrest	x1
3	Front Leg	x2
4	Front Rail	x1
5	Side Rail	x2

WHAT YOU NEED:



Phillips Head Screwdriver

STEP 01

HARDWARE

A Bolt M8x50mm x4

D Flat Washer M8 x4

COMPONENTS

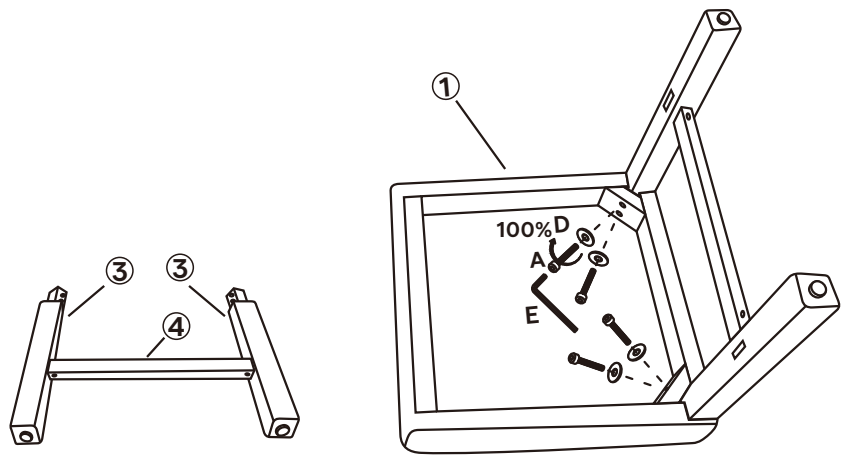
1 Chair Seat x1

3 Front Leg x2

4 Front Rail x1

TOOLS

E Allen Key x1



STEP 02

HARDWARE

B Bolt M8x60mm x4

D Flat Washer M8 x4

COMPONENTS

1 Chair Seat x1

3 Front Leg x2

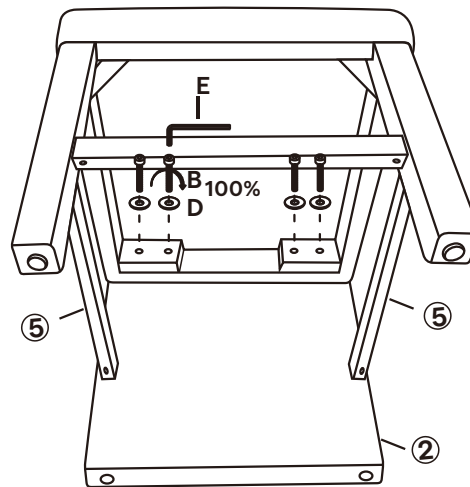
4 Front Rail x1

2 Chair Backrest x1

5 Side Rail x2

TOOLS

E Allen Key x1



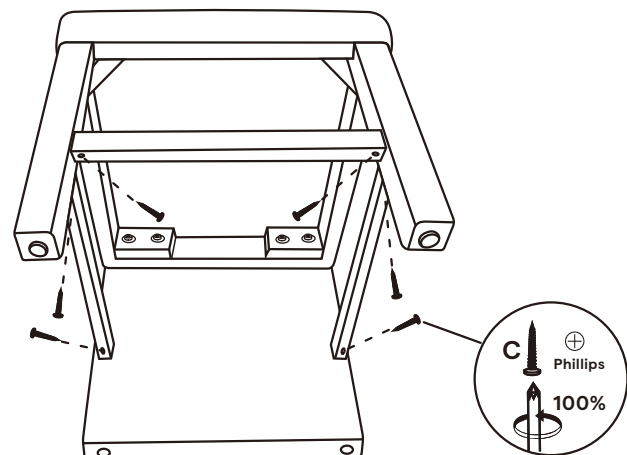
STEP 03

HARDWARE

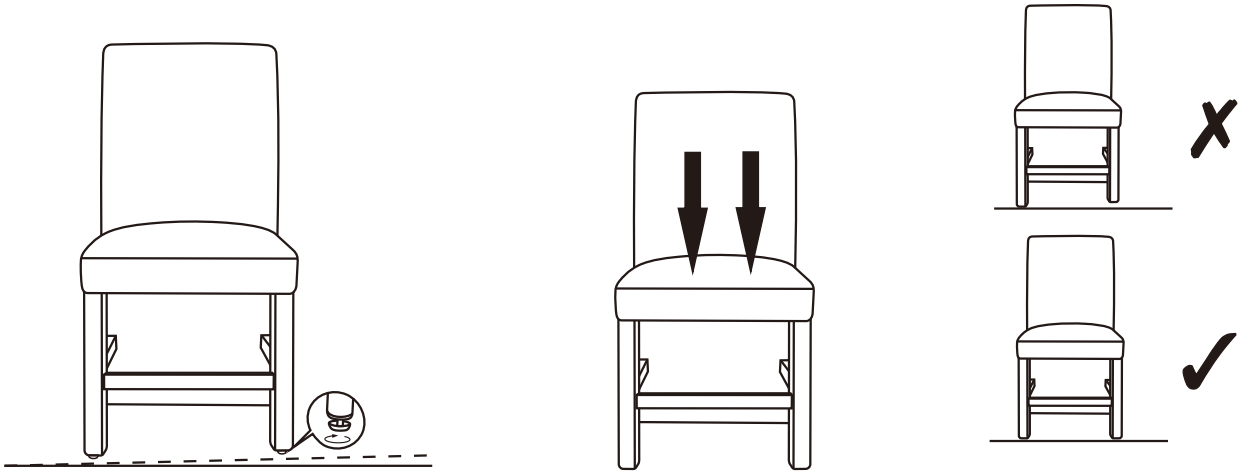
C Screws 50mm x6

TOOLS

Phillips Head Screwdriver

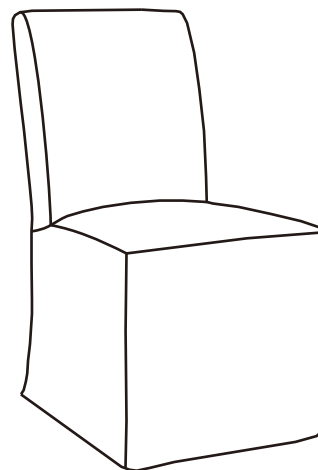


STEP 04



STEP 05

put on the slipcover!

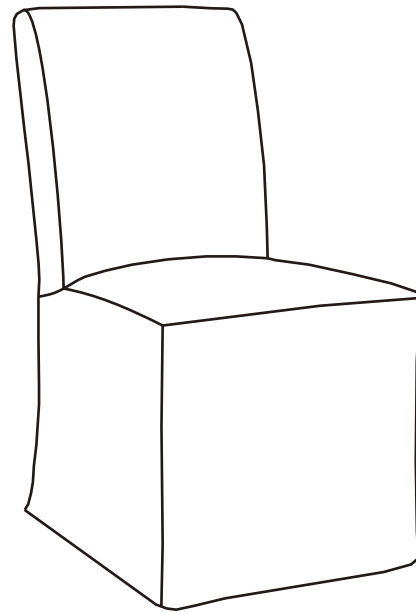


Great job!

Your new dining chair is complete.

CARING FOR YOUR ITEM

- Indoor use only.
- Not contract grade.
- Clean using a non-abrasive cloth and a mild cleaner.
- Never use harsh chemicals, as they could damage the finish or integrity of the item.



CONNECT WITH US!

Tag us [@modway.furniture](#) and [#MyModwayHome](#) for a chance to be featured.

modway



Questions? Contact us!
609.256.9000
cs@modway.com