

ASSEMBLY INSTRUCTIONS

# Dining Table

EEl-7601-NAT / V0.10.09.25

---

**modway**



Questions? Contact us!

609.256.9000

[cs@modway.com](mailto:cs@modway.com)

# Welcome.

## Let's get started.

Before you begin, here are some things to keep in mind:

Assembly will take most people **about 30 minutes**. Consider having a friend help you!

**Only use hand tools to assemble this item.** Do not use power tools. Do not tighten bolts or screws completely until all hardware is lined up and inserted into the holes.

**Read through all of the instructions before starting. Make sure you have all parts and components before discarding any packing materials.**

Do not over-tighten screws and bolts to avoid stripping the hardware or cracking the item.

Assemble your item on a flat, carpeted area, with plenty of space to work. This will prevent damage and scratches to your floors or the item while you're assembling the product.

Keep all components and packaging out of reach of children or animals to avoid risk of choking or suffocation.

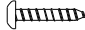




**Care instructions are listed in the last step of this manual.**

**WAIT!**

Missing parts or hardware? Need assistance?  
Contact us before returning your item.  
We're here to help!

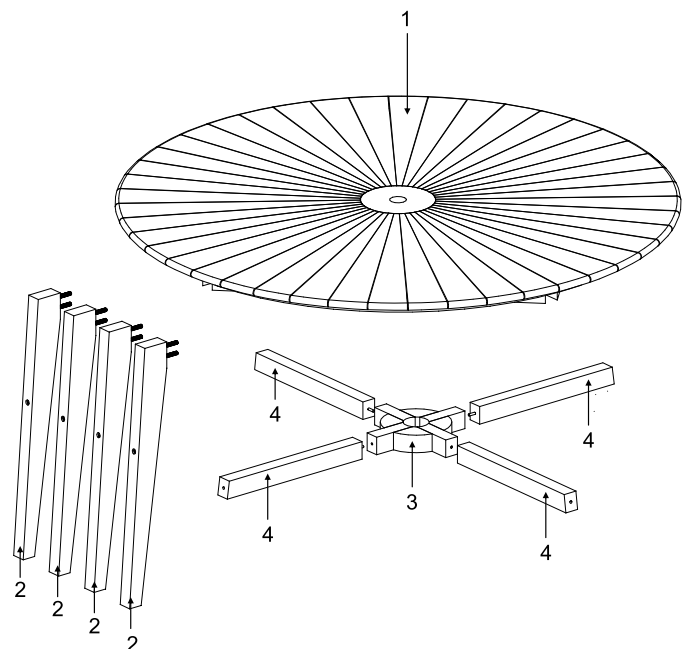


## HARDWARE INCLUDED IN THE BOX:

A		Bolt 70 mm	x4
B		Wooden Plug	x4
C		Wrench 12 mm	x1
D		Allen Key 4 mm	x1
E		Cloth	x1

**Note: Cloth for cleaning.**

## FURNITURE COMPONENTS:



1. Top	x1	3. Leg Support Center	x1
2. Leg	x4	4. Leg Support Side	x4

## STEP 01

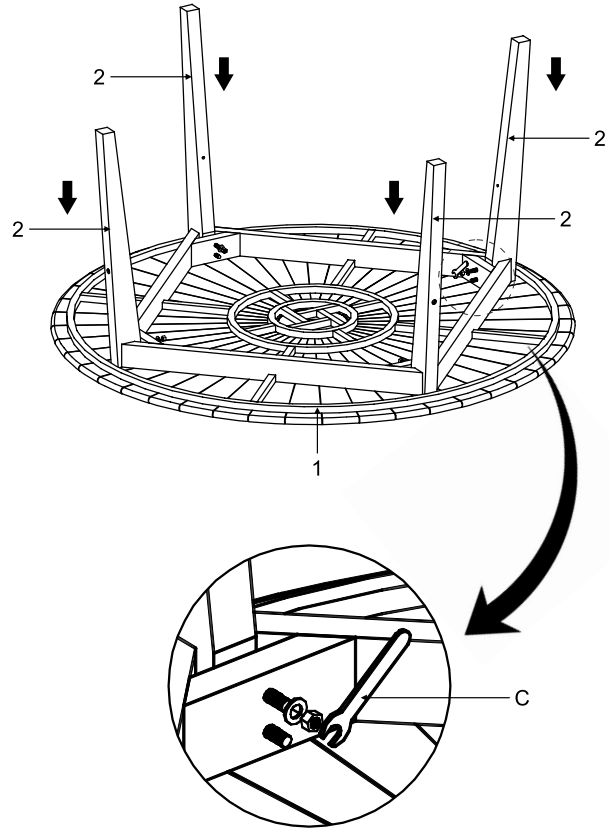
### COMPONENTS

① Top x1

② Leg x4

### HARDWARE

Ⓒ Wrench 12 mm x1



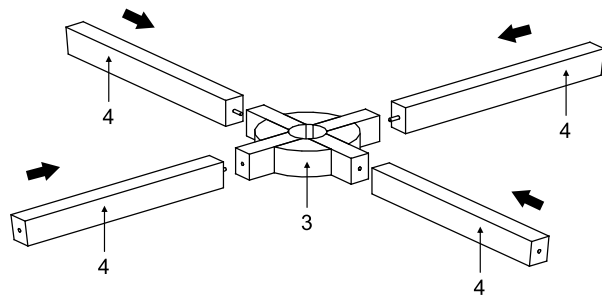
**Note :** Please note that the hardware components are pre-installed on the leg (2) for ease of assembly.

## STEP 02

### COMPONENTS

③ Leg Support Center x1

④ Leg Support Side x4



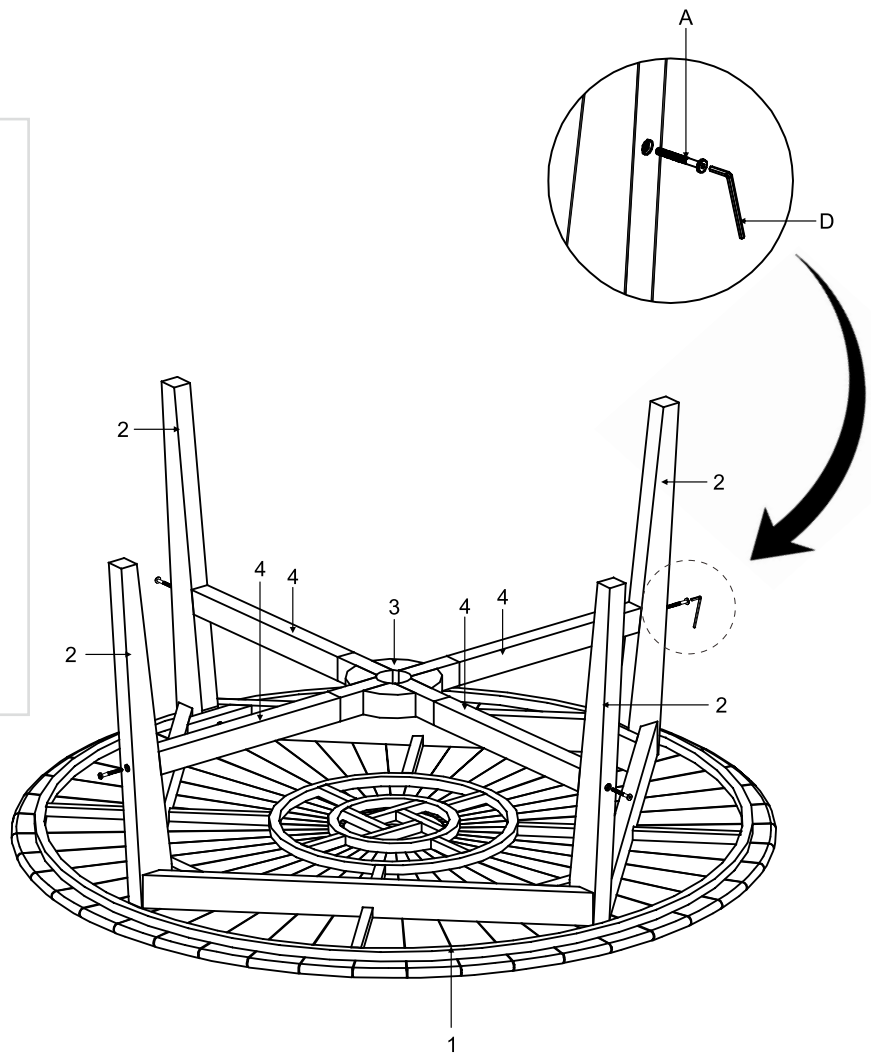
### STEP 03

#### COMPONENTS

- ① Top x1
- ② Leg x4
- ③ Leg Support Center x1
- ④ Leg Support Side x4

#### HARDWARE

- Ⓐ Bolt 70 mm x4
- Ⓓ Allen Key 4mm x1



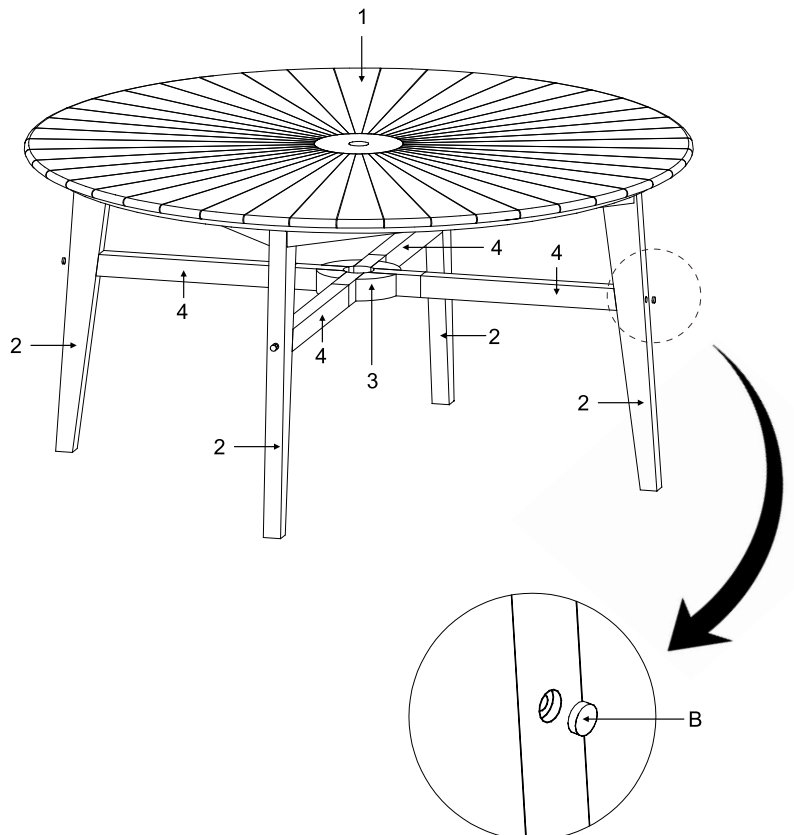
### STEP 04

#### COMPONENTS

- ① Top x1
- ② Leg x4
- ③ Leg Support Center x1
- ④ Leg Support Side x4

#### HARDWARE

- Ⓑ Wooden Plug x4

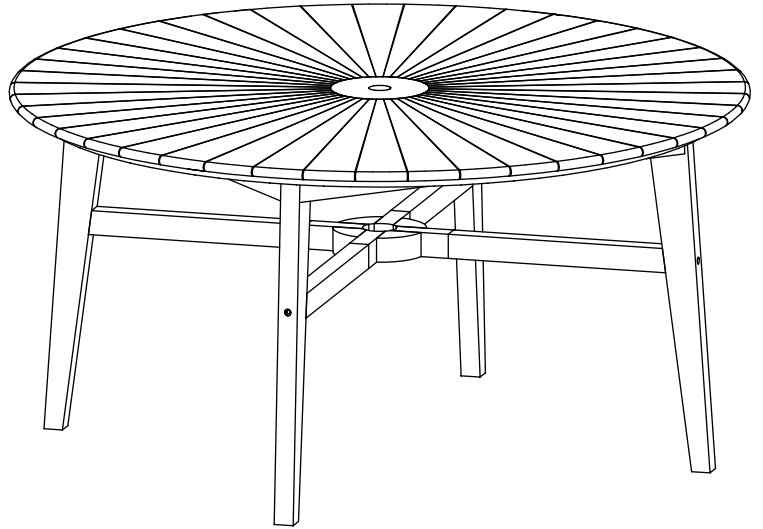


# Great job!

Your new dining table is complete

## CARING FOR YOUR ITEM

- Depending on use it may be necessary to tighten the hardware from time to time, so please save the tools that have been provided.
- Not contact grade.
- Clean using a non-abrasive cloth and a mild cleaner
- Retain the rich wood color by occasionally sanding lightly and applying a teak cleaner protectant. The oils nourish and help restore the original look.



## CONNECT WITH US!

Tag us [@modway\\_furniture](#) and [#modway](#) for a chance to be featured.

# modway



Questions? Contact us!  
609.256.9000  
[cs@modway.com](mailto:cs@modway.com)