

ASSEMBLY INSTRUCTIONS

Bar Table

EEl-7594 / V0.11.11.25

modway



Questions? Contact us!

609.256.9000

cs@modway.com

Welcome.

Let's get started.

Before you begin, here are some things to keep in mind:

Assembly will take most people **about 30 minutes**. Consider having a friend help you!

Only use hand tools to assemble this item. Do not use power tools. Do not tighten bolts or screws completely until all hardware is lined up and inserted into the holes.

Read through all of the instructions before starting. Make sure you have all parts and components before discarding any packing materials.





Do not over-tighten screws and bolts to avoid stripping the hardware or cracking the item.

Assemble your item on a flat, carpeted area, with plenty of space to work. This will prevent damage and scratches to your floors or the item while you're assembling the product.

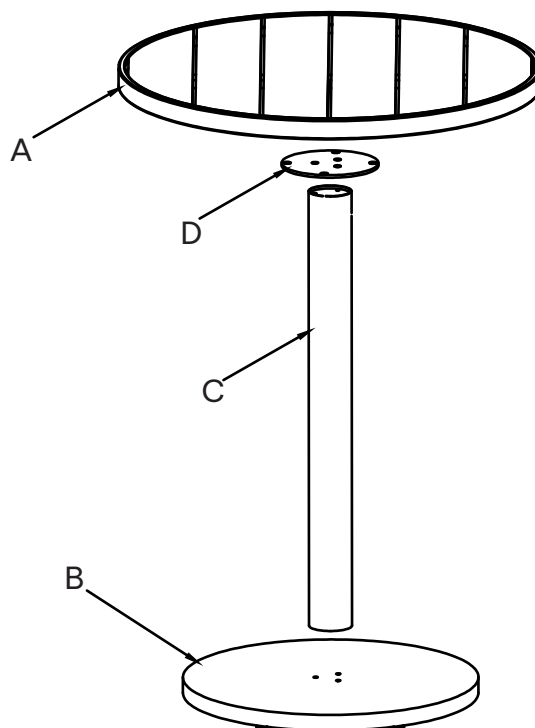
Keep all components and packaging out of reach of children or animals to avoid risk of choking or suffocation.

Care instructions are listed in the last step of this manual.

HARDWARE INCLUDED IN THE BOX:

E		Bolt M6 x 20mm	x3
F		JCBC Bolt M6 x 20mm	x4
G		JCBC Bolt M6 x 50mm	x3
H		Allen Wrench M4	x1

FURNITURE COMPONENTS:



A	Table Top	x1
B	Base	x1
C	Pedestal	x1
D	Mounting Plate	x1

WAIT!

Missing parts or hardware? Need assistance?
Contact us before returning your item.
We're here to help!



STEP 01

HARDWARE

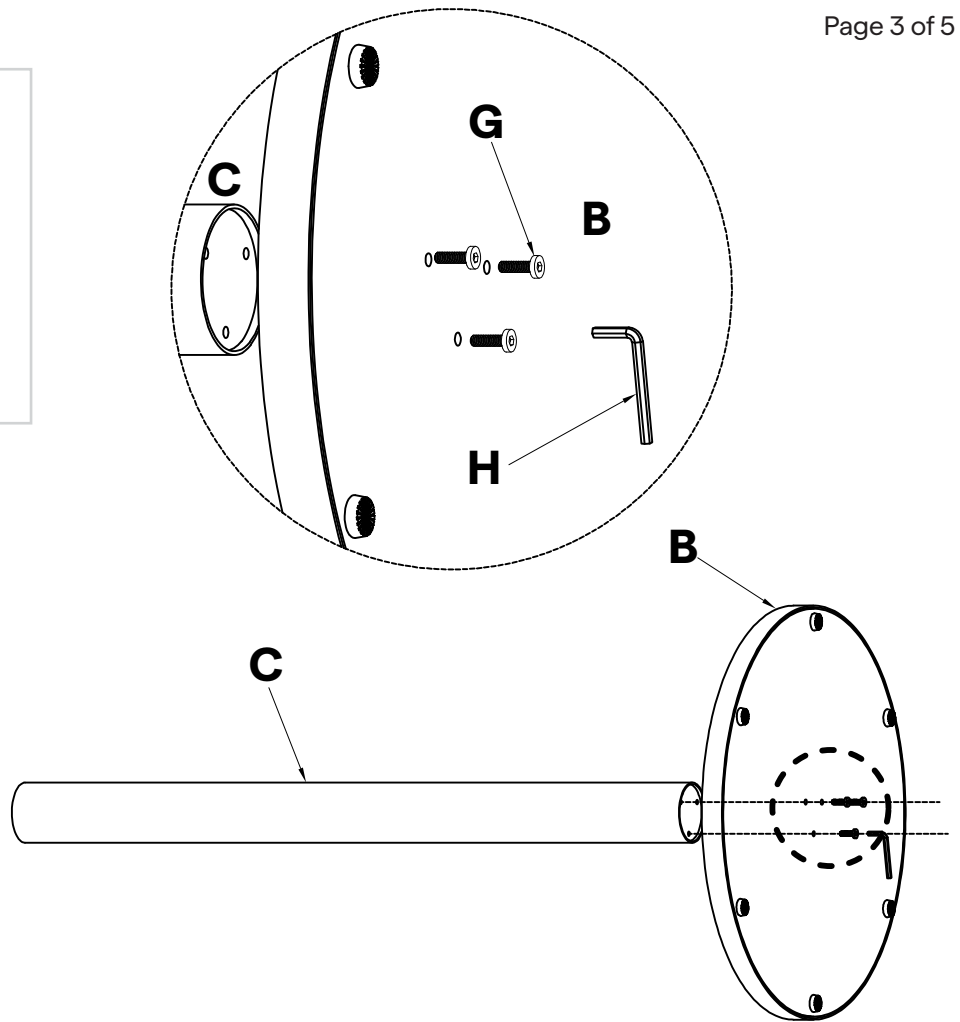
G JCBC Bolt M6 x 50mm X3

H Allen Wrench M4 X1

COMPONENTS

B Base X1

C Pedestal X1



STEP 02

HARDWARE

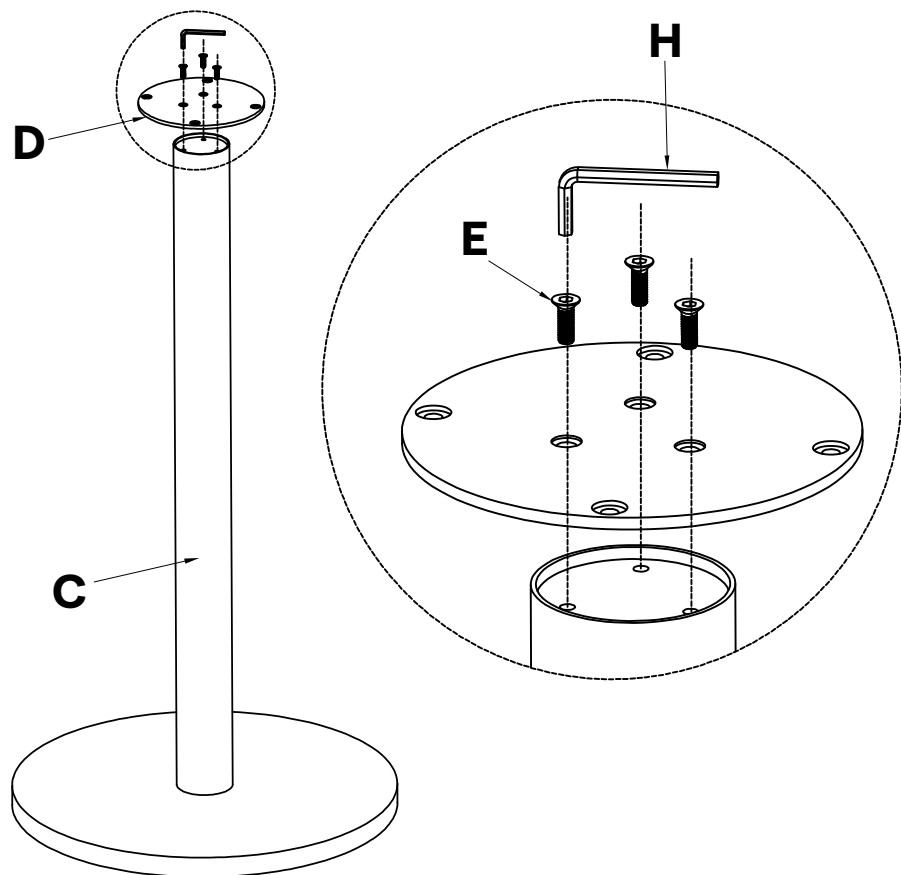
E Bolt M6 x 20mm X3

H Allen Wrench M4 X1

COMPONENTS

C Pedestal X1

D Mounting Plate X1



HARDWARE

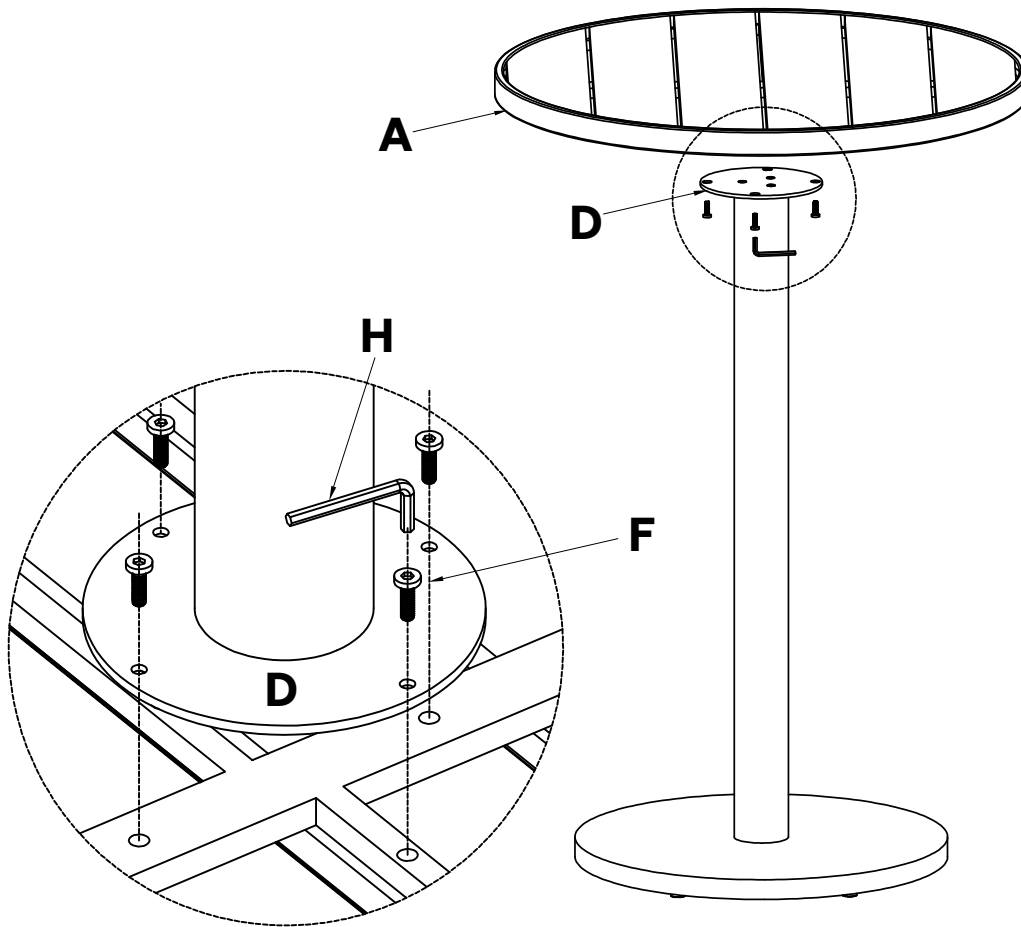
F JCBC Bolt M6 x 20mm X4

H Allen Wrench M4 X1

COMPONENTS

A Table Top X1

D Mounting Plate X1

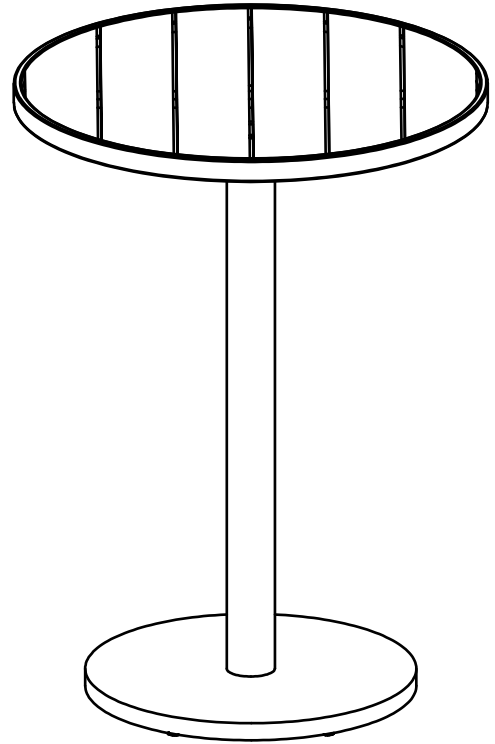


Great job!

Your new table is complete.

CARING FOR YOUR ITEM

- Depending on use, it may be necessary to tighten the hardware from time to time, so please save the tools that have been provided.
- Not contract grade.
- Clean using a non-abrasive cloth and a mild cleaner.



CONNECT WITH US!

Tag us [@modway_furniture](#) and [#modway](#) for a chance to be featured.

modway



Questions? Contact us!
609.256.9000
cs@modway.com