

ASSEMBLY INSTRUCTIONS

# Dining Chair

EEl-7561 / V0.09.19.25

---

**modway**



Questions? Contact us!

609.256.9000

[cs@modway.com](mailto:cs@modway.com)

# Welcome.

## Let's get started.

Before you begin, here are some things to keep in mind:

Assembly will take most people **about 30 minutes**. Consider having a friend help you!

**Only use hand tools to assemble this item.** Do not use power tools. Do not tighten bolts or screws completely until all hardware is lined up and inserted into the holes.

**Read through all of the instructions before starting. Make sure you have all parts and components before discarding any packing materials.**

Do not over-tighten screws and bolts to avoid stripping the hardware or cracking the item.

Assemble your item on a flat, carpeted area, with plenty of space to work. This will prevent damage and scratches to your floors or the item while you're assembling the product.

Keep all components and packaging out of reach of children or animals to avoid risk of choking or suffocation.





**Care instructions are listed in the last step of this manual.**

**WAIT!**

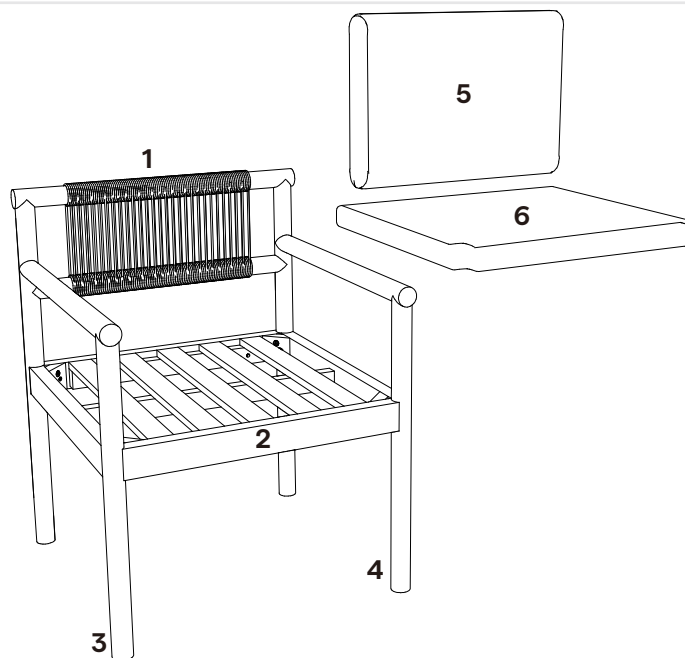
**Missing parts or hardware? Need assistance?**  
Contact us before returning your item.  
We're here to help!



## HARDWARE INCLUDED IN THE BOX:

A		JCBC Bolt M6 x 60mm	x8
B		JCBC Bolt M6 x 40mm	x2
C		Allen Key	x1
D		Dowel Plug	x2

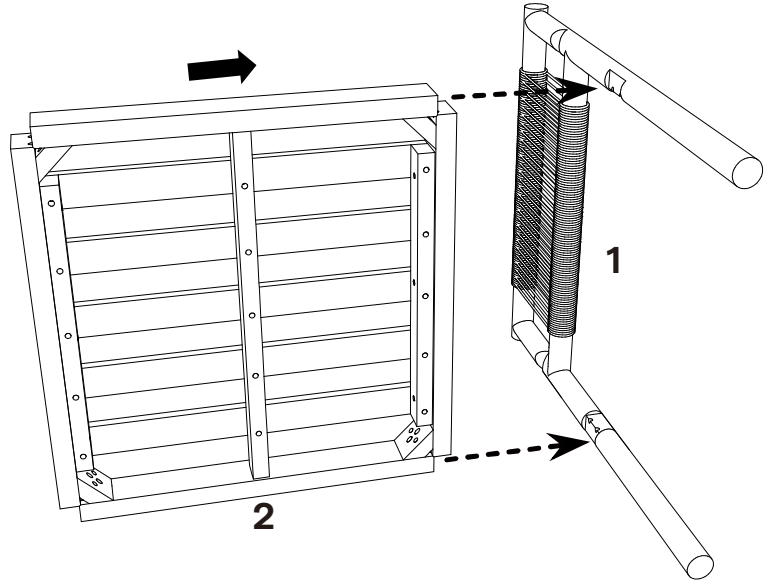
## FURNITURE COMPONENTS:



1	Backrest	x1
2	Seat Base	x1
3	Left Frame	x1
4	Right Frame	x1
5	Back Cushion	x1
6	Seat Cushion	x1

## COMPONENTS

- |   |           |    |
|---|-----------|----|
| ① | Backrest  | x1 |
| ② | Seat Base | x1 |



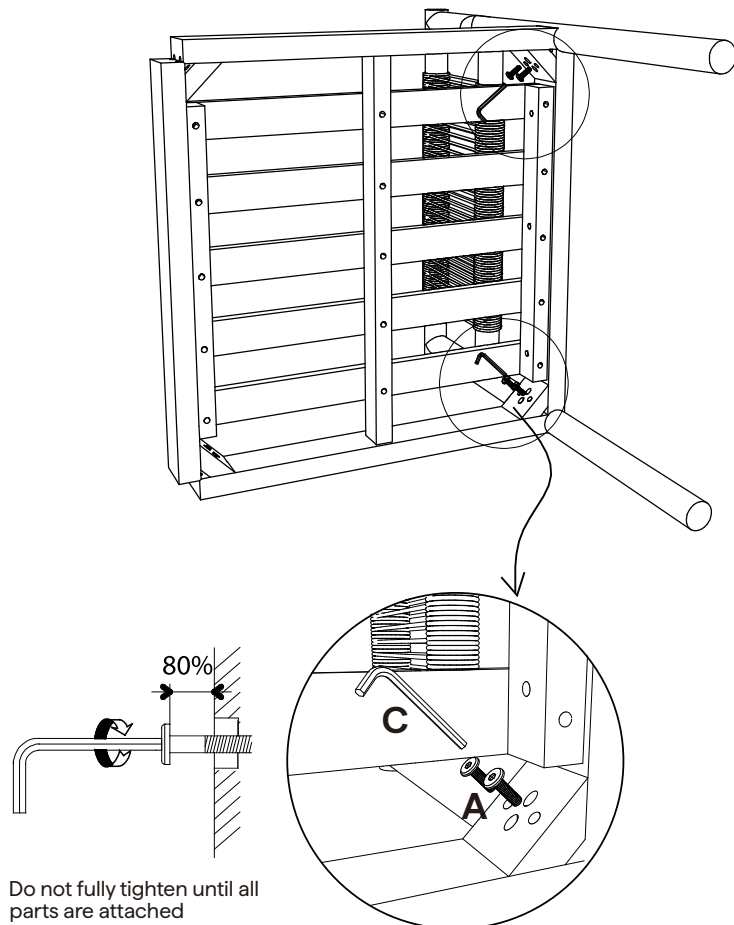
## STEP 02

## HARDWARE

- |   |                     |    |
|---|---------------------|----|
| Ⓐ | JCBC Bolt M6 x 60mm | x4 |
|---|---------------------|----|

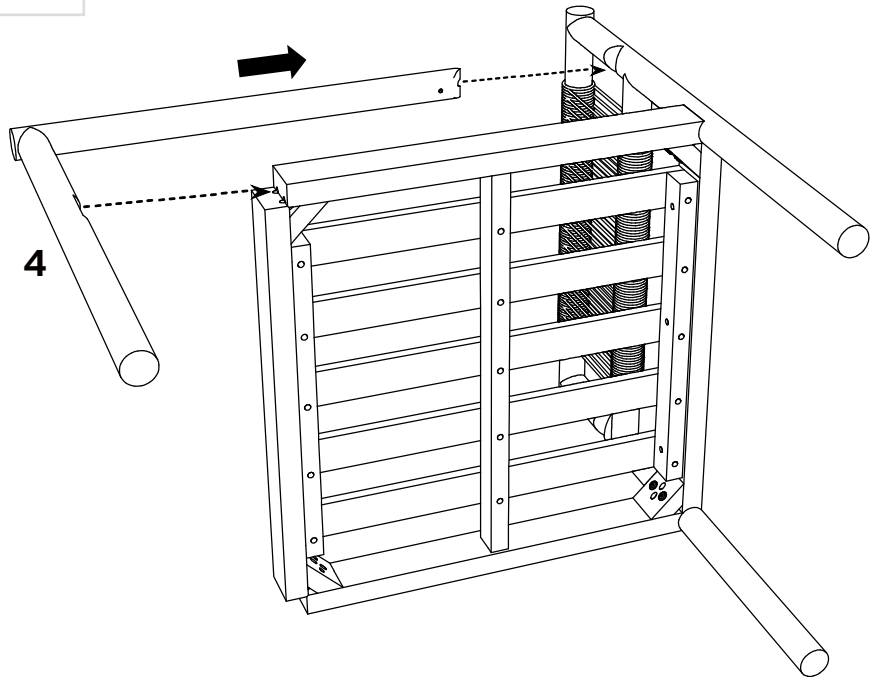
## TOOLS

- |   |           |    |
|---|-----------|----|
| Ⓒ | Allen Key | x1 |
|---|-----------|----|



COMPONENTS

4 Right Frame x1



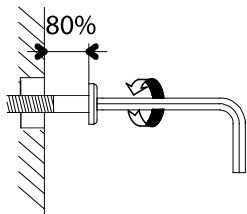
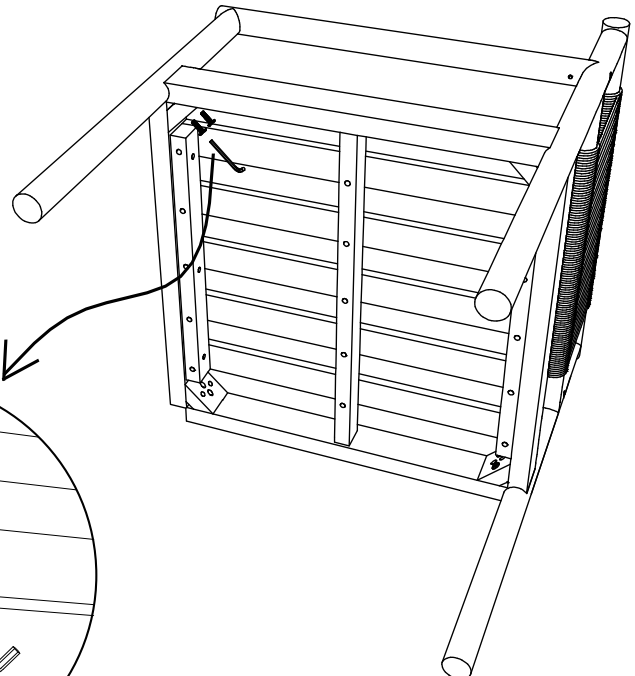
STEP 04

HARDWARE

A JCBC Bolt M6 x 60mm x2

TOOLS

C Allen Key x1



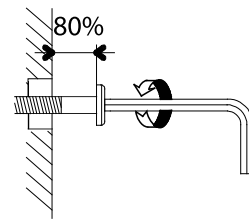
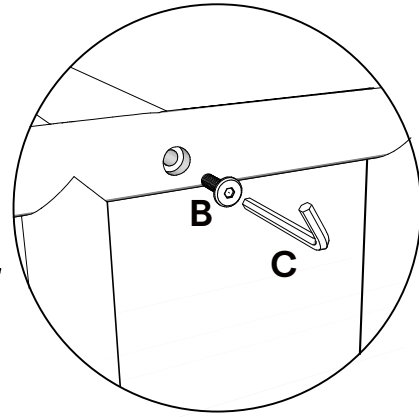
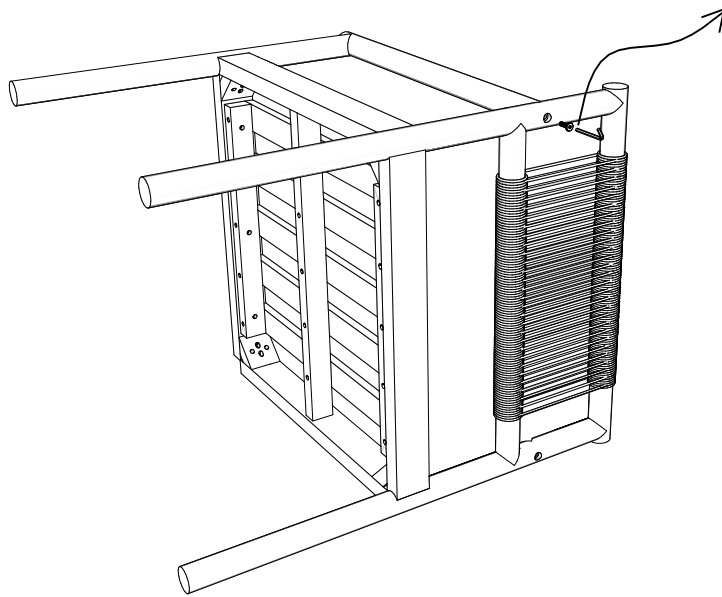
Do not fully tighten until all parts are attached

**HARDWARE**

**B** JCBC Bolt M6 x 40mm x1

**TOOLS**

**C** Allen Key x1

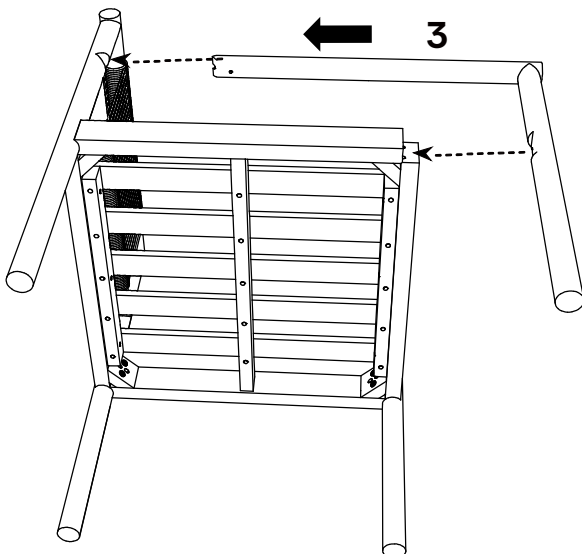
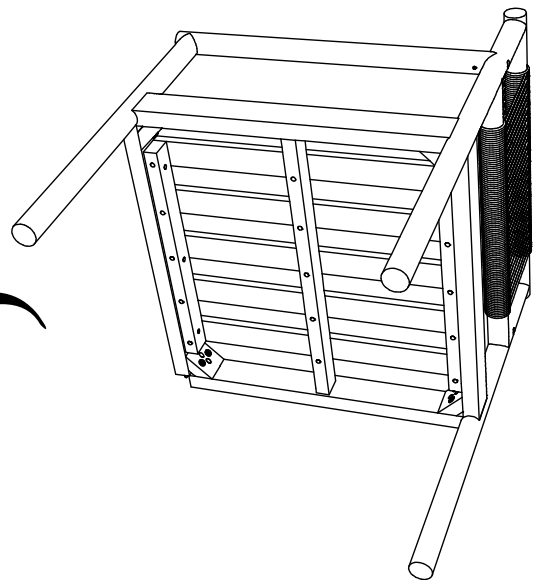


Do not fully tighten until all parts are attached

STEP 06

**COMPONENTS**

**3** Left Frame x1

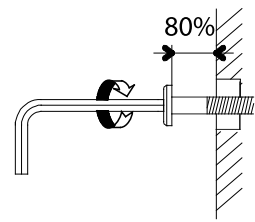
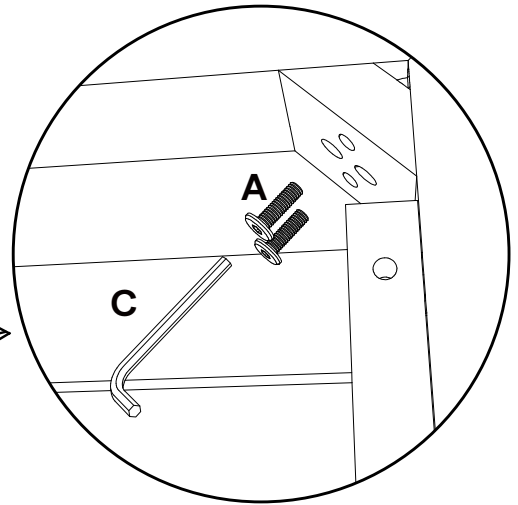
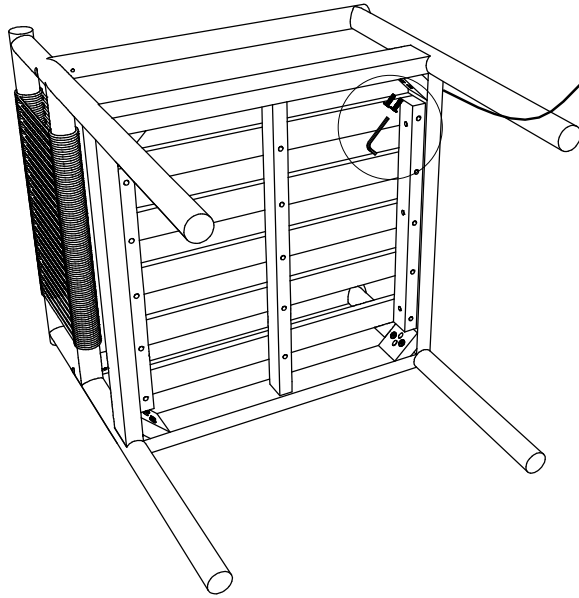


**HARDWARE**

**A** JCBC Bolt M6 x 60mm x2

**TOOLS**

**C** Allen Key x1



Do not fully tighten until all parts are attached

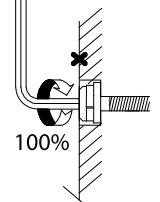
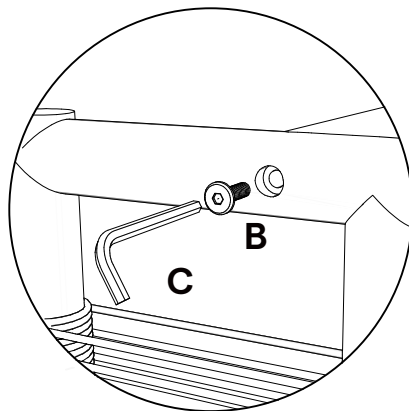
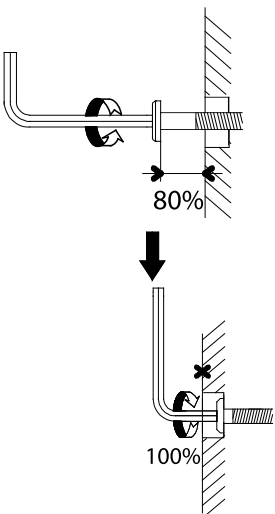
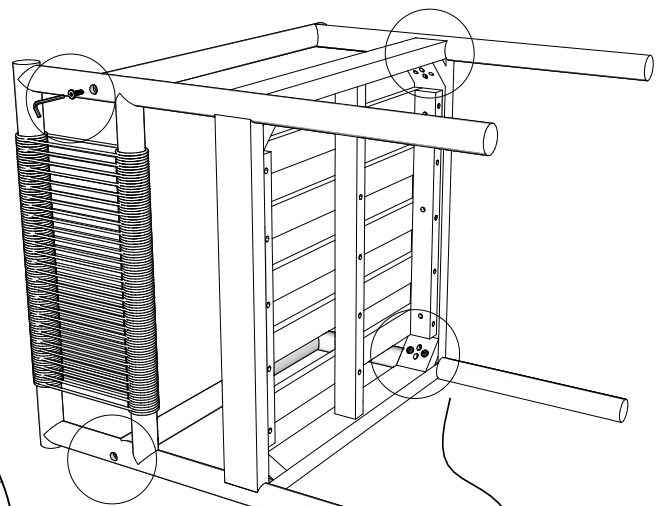
STEP 08

**HARDWARE**

**B** JCBC Bolt M6 x 40mm x1

**TOOLS**

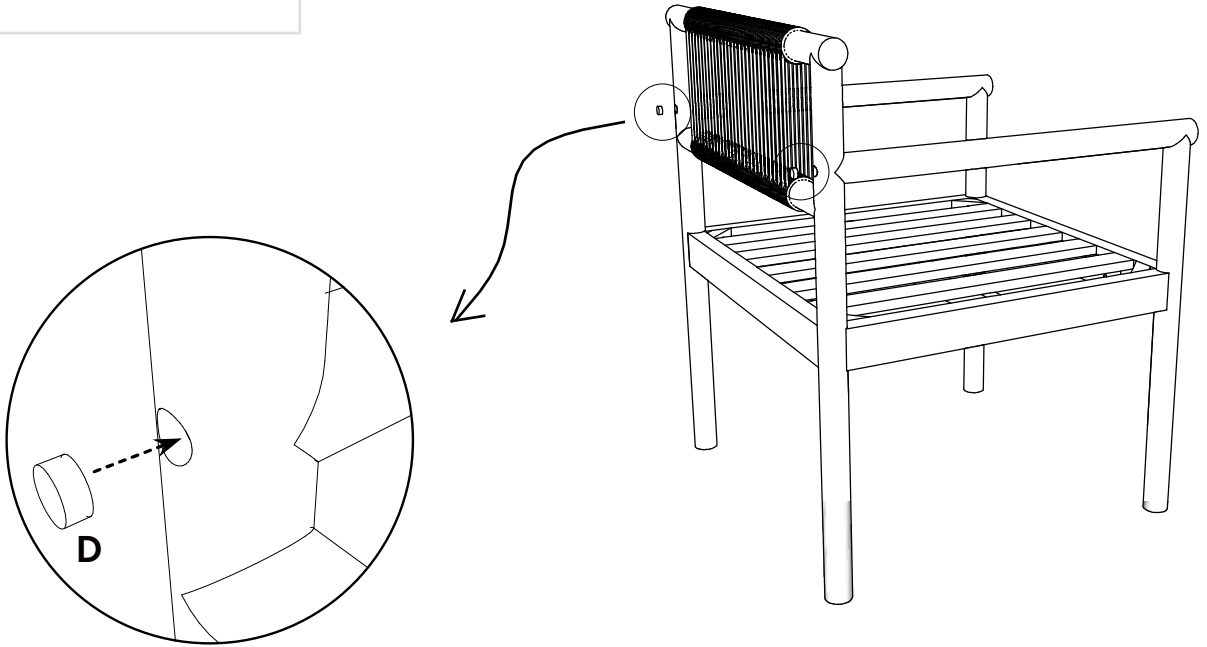
**C** Allen Key x1



Fully tighten all bolts

**HARDWARE**

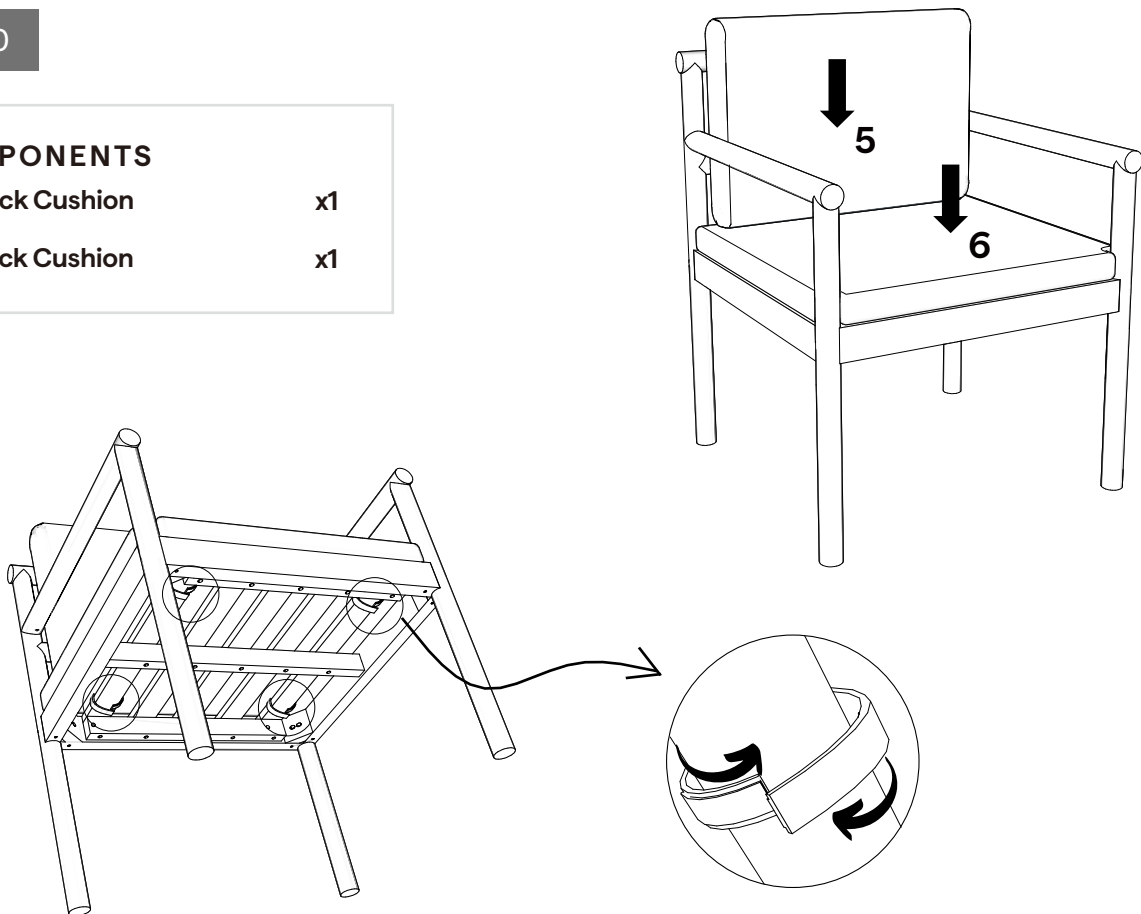
- D** Dowel Plug x2



STEP 10

**COMPONENTS**

- B** Back Cushion x1
- 6** Back Cushion x1

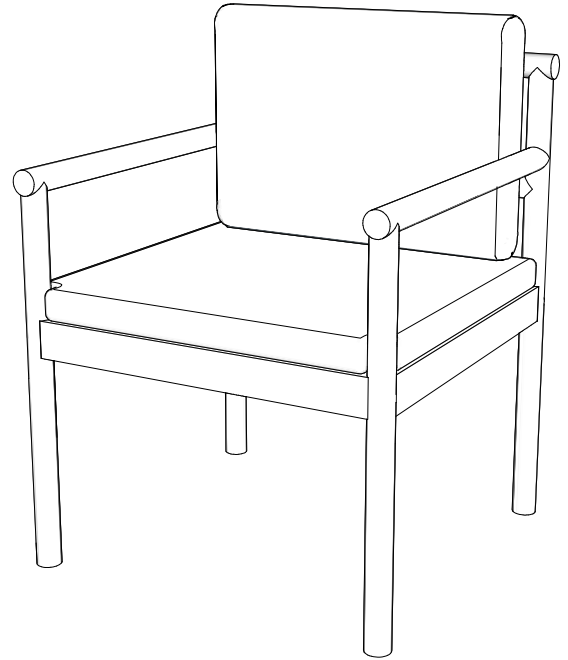


# Great job!

Your new dining chair is complete.

## CARING FOR YOUR ITEM

- Depending on use, it may be necessary to tighten the hardware from time to time, so please save the tools that have been provided.
- Not contract grade.
- Clean using a non-abrasive cloth and a mild cleaner.
- Retain the rich wood color by occasionally sanding lightly and applying a teak cleaner and protectant. The oils nourish and help restore the original look.



## CONNECT WITH US!

Tag us [@modway\\_furniture](#) and [#modway](#) for a chance to be featured.

# modway



Questions? Contact us!  
609.256.9000  
[cs@modway.com](mailto:cs@modway.com)