

ASSEMBLY INSTRUCTIONS

Dining Table

EEl-7562 / V0.09.19.25

modway



Questions? Contact us!

609.256.9000

cs@modway.com

Welcome.

Let's get started.

Before you begin, here are some things to keep in mind:

Assembly will take most people **about 30 minutes**. Consider having a friend help you!

Only use hand tools to assemble this item. Do not use power tools. Do not tighten bolts or screws completely until all hardware is lined up and inserted into the holes.

Read through all of the instructions before starting. Make sure you have all parts and components before discarding any packing materials.

Do not over-tighten screws and bolts to avoid stripping the hardware or cracking the item.

Assemble your item on a flat, carpeted area, with plenty of space to work. This will prevent damage and scratches to your floors or the item while you're assembling the product.

Keep all components and packaging out of reach of children or animals to avoid risk of choking or suffocation.




Care instructions are listed in the last step of this manual.

WAIT!

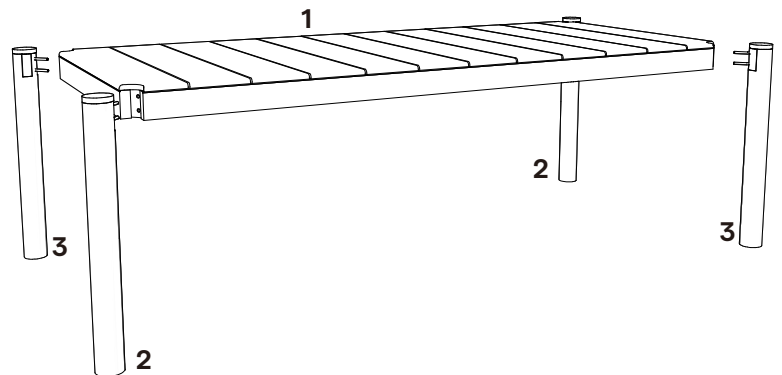
Missing parts or hardware? Need assistance?
Contact us before returning your item.
We're here to help!



HARDWARE INCLUDED IN THE BOX:

A		Hex Nut M8	x8
B		Flat Washer M8	x8
C		Wrench	x1

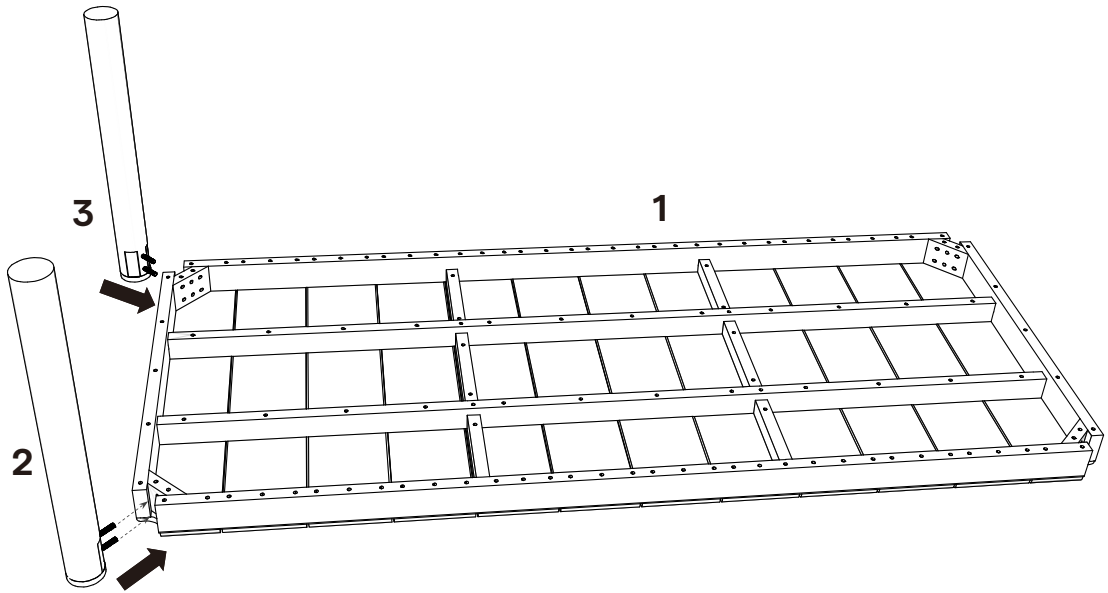
FURNITURE COMPONENTS:



1	Table Top	x1
2	Leg 1	x2
3	Leg 2	x2

COMPONENTS

- ① Table Top x1
- ② Leg 1 x1
- ③ Leg 2 x1



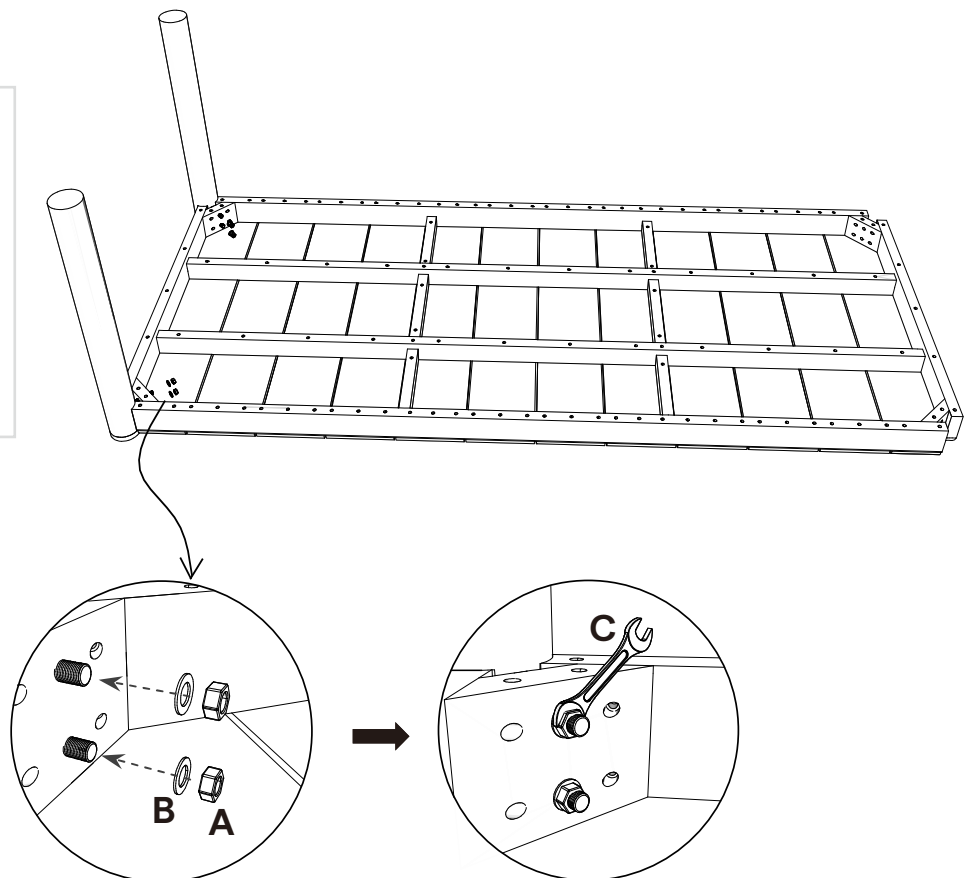
STEP 02

HARDWARE

- Ⓐ Hex Nut M8 x4
- Ⓑ Flat Washer M8 x4

TOOLS

- Ⓒ Wrench x1



HARDWARE

A Hex Nut M8 x4

B Flat Washer M8 x4

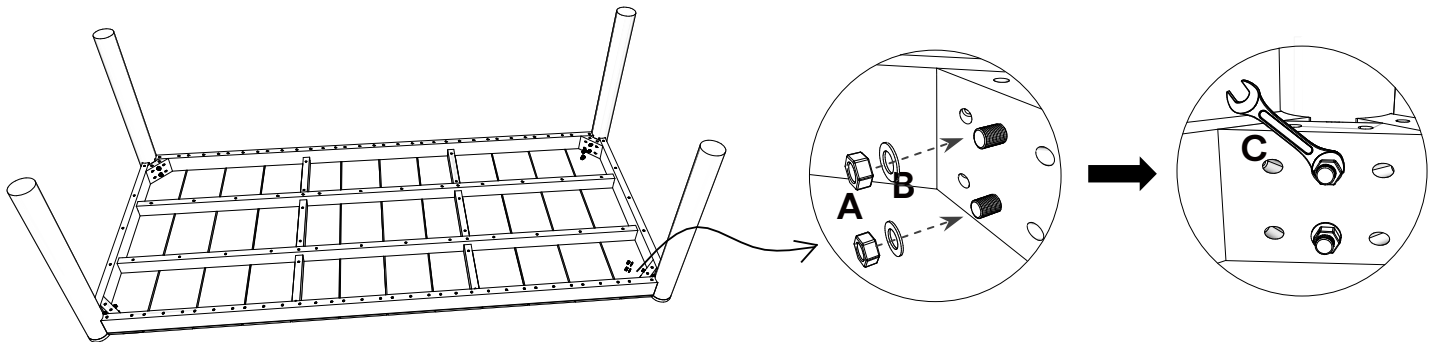
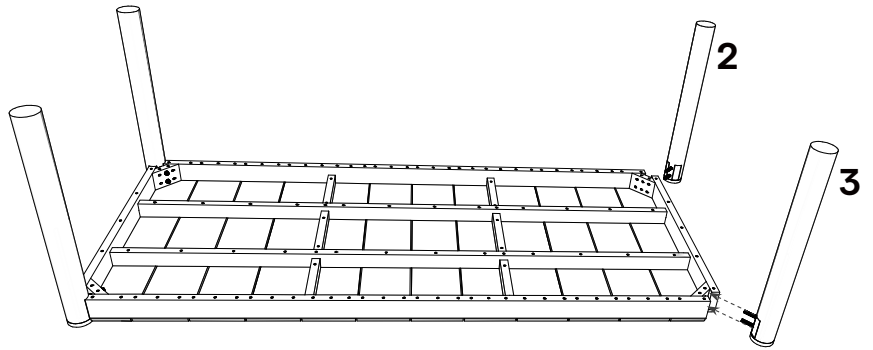
COMPONENTS

2 Leg 1 x1

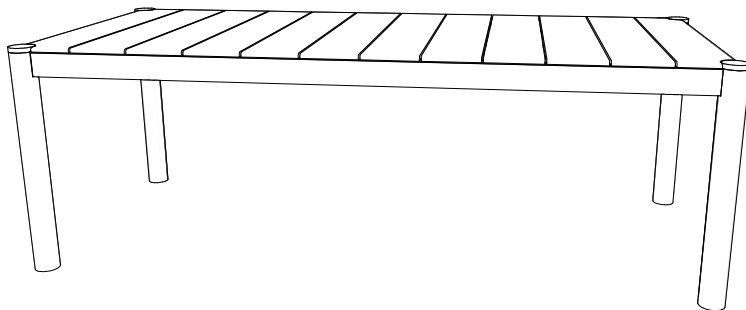
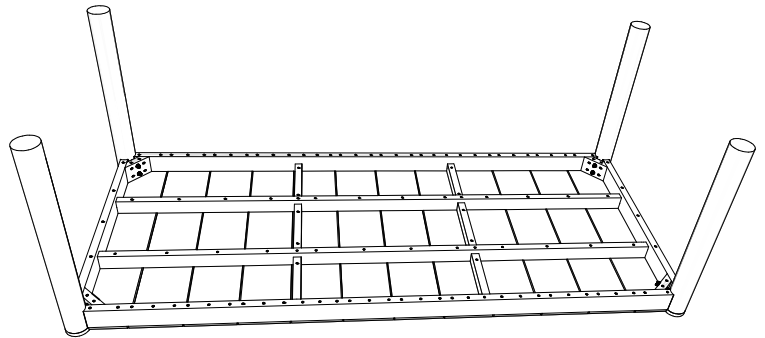
3 Leg 2 x1

TOOLS

C Wrench x1



STEP 04

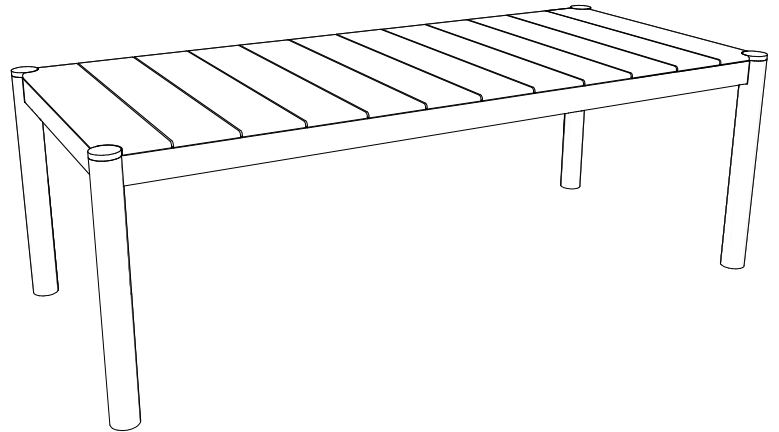


Great job!

Your new dining table is complete.

CARING FOR YOUR ITEM

- Depending on use, it may be necessary to tighten the hardware from time to time, so please save the tools that have been provided.
- Not contract grade.
- Clean using a non-abrasive cloth and a mild cleaner.
- Retain the rich wood color by occasionally sanding lightly and applying a teak cleaner and protectant. The oils nourish and help restore the original look.



CONNECT WITH US!

Tag us [@modway_furniture](#) and [#modway](#) for a chance to be featured.

modway



Questions? Contact us!
609.256.9000
cs@modway.com