

ASSEMBLY INSTRUCTIONS

Chair

EEl-7452/V0.09.01.26

modway



Questions? Contact us!
609.256.9000
cs@modway.com

Welcome.

Let's get started.

Before you begin, here are some things to keep in mind:

Assembly will take most people **about 20 minutes**. Consider having a friend help you!

Only use hand tools to assemble this item.

Do not use power tools. Do not tighten bolts or screws completely until all hardware is lined up and inserted into the holes.

Read through all of the instructions before starting. Make sure you have all parts and components before discarding any packing materials.

Do not over-tighten screws and bolts to avoid stripping the hardware or cracking the item.

Assemble your item on a flat, carpeted area, with plenty of space to work. This will prevent damage and scratches to your floors or the item while you're assembling the product.

Keep all components and packaging out of reach of children or animals to avoid risk of choking or suffocation.

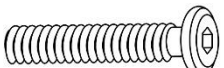
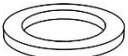
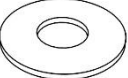


Care instructions are listed in the last step of this manual.

WAIT!

Missing parts or hardware? Need assistance?
Contact us before returning your item.
We're here to help!



HARDWARE INCLUDED IN THE BOX:

A		Screw M 6 x 25 mm	x6
B		Spring Washer Ø 6 mm	x6
C		Flat Washer Ø 6 mm	x6
D		Screw M 4 x 40 mm	x4
E		Allen Key	x1

WHAT YOU NEED:

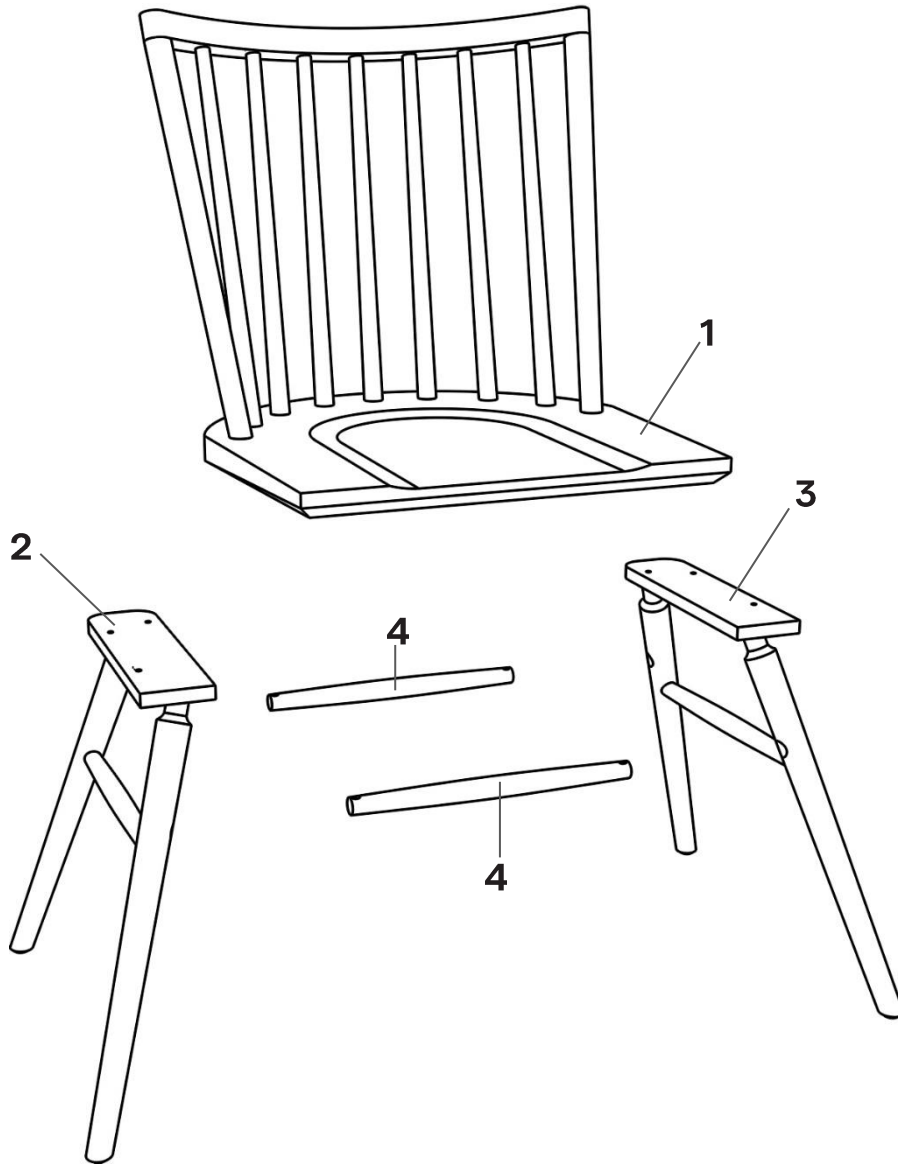


Philips Head Screwdriver

Philips

FURNITURE COMPONENTS INCLUDED IN THE BOX:

All parts are numbered with a sticker according to this list.



1	Seat Frame	x1
2	Left Chair Leg	x1

3	Right Chair Leg	x1
4	Front and Rear Bars	x2

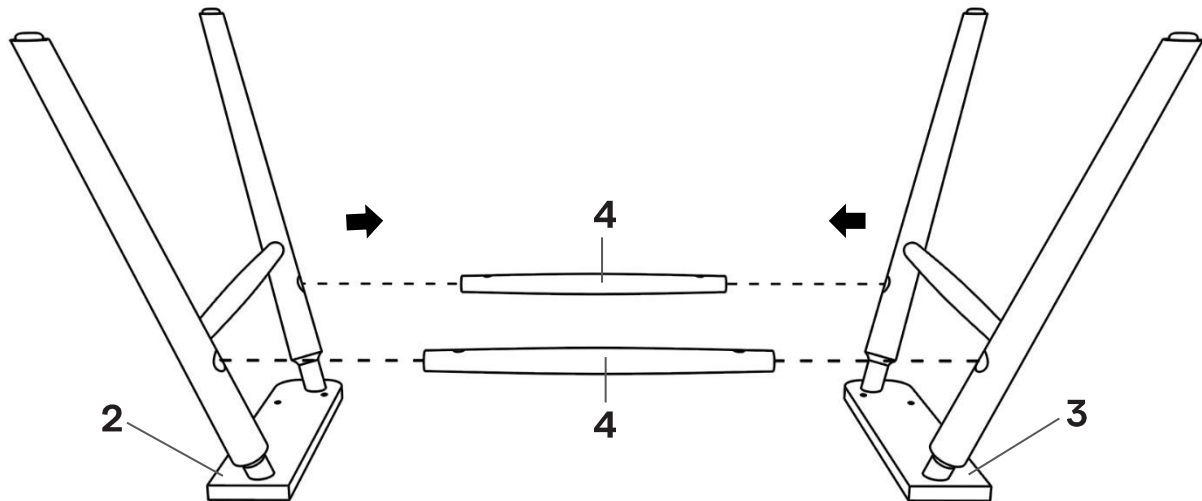
STEP 01

COMPONENTS

②	Left Chair Leg	x1
③	Right Chair Leg	x1
④	Front and Rear Bars	x2

1.1 Insert Left Chair Leg (2) into the Front and Rear Bars (4).

1.2 Insert Right Chair Leg (3) into the Front and Rear Bars (4).



STEP 02

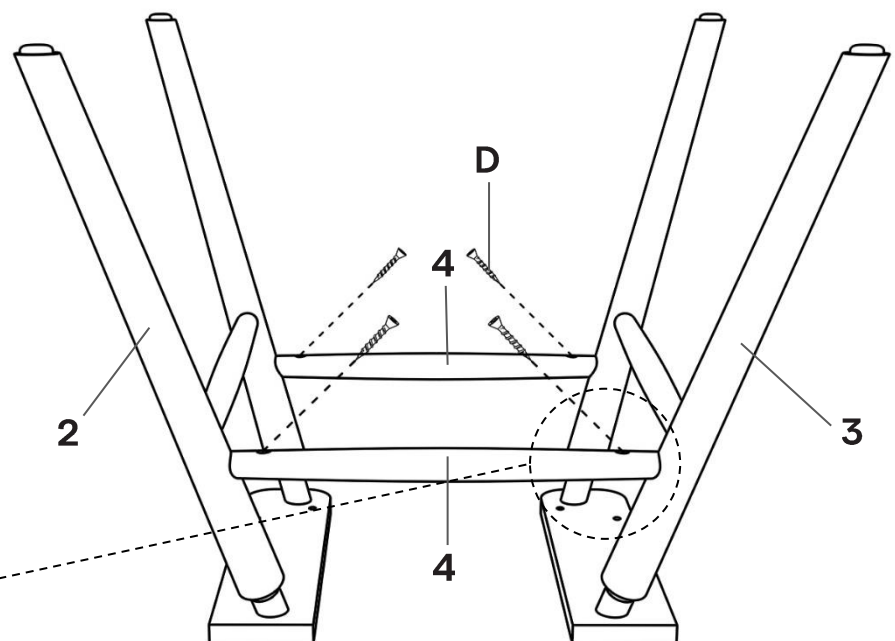
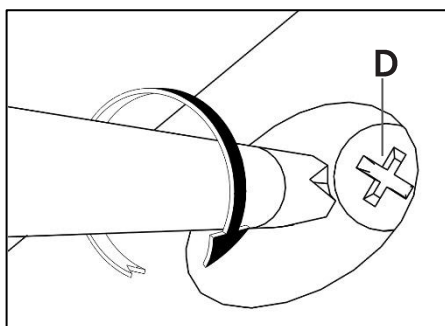
HARDWARE

ⓓ	ScREW M 4 x 40 mm	x4
---	-------------------	----

COMPONENTS

②	Left Chair Leg	x1
③	Right Chair Leg	x1
④	Front and Rear Bars	x2

2.1 Secure the front and rear bars to the left (2) and right (3) chair legs with M 4 x 40 mm screws (D), tighten Screws using Screwdriver.

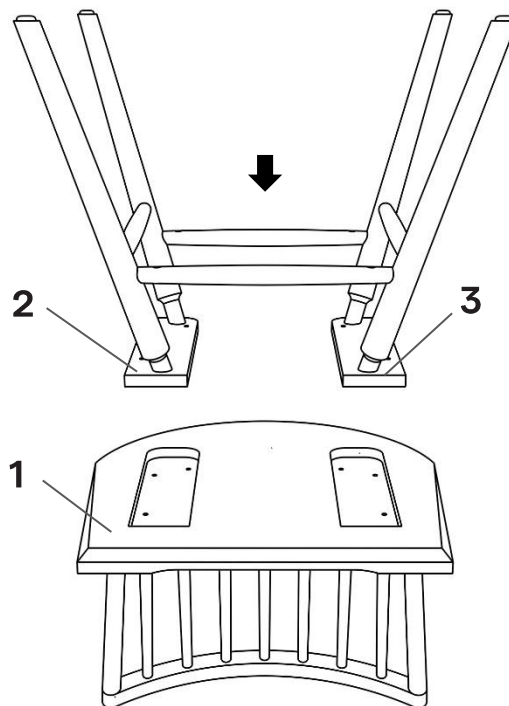


STEP 03

COMPONENTS

1	Seat Frame	x1
2	Left Chair Leg	x1
3	Right Chair Leg	x1

3.1 Fix the chair frame (1), attach the left chair legs (2), (3) to the chair frame (1).



STEP 04

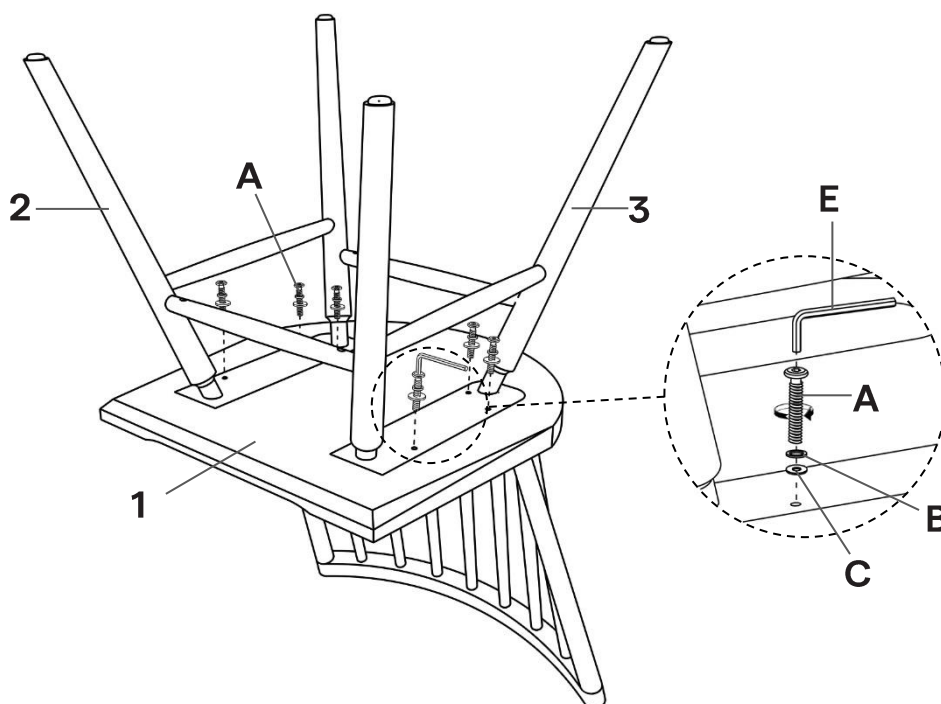
HARDWARE

A	Screw M 6 x 25 mm	x6
B	Spring Washer Ø 6 mm	x6
C	Flat Washer Ø 6 mm	x6
E	Allen Key	x1

COMPONENTS

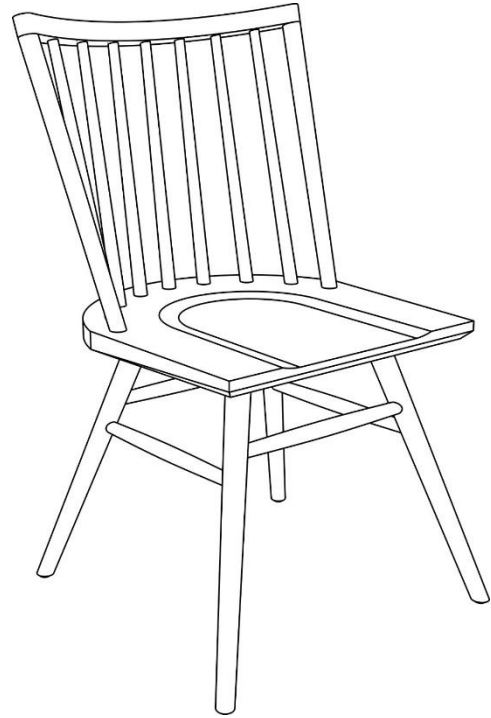
1	Seat Frame	x1
2	Left Chair Leg	x1
3	Right Chair Leg	x1

4.1 Secure the Left Chair Leg (2), Right Chair Leg (3) with Screw M 6 x 25 mm (A), tighten Screws using Allen Key (E).



Great job!

Chair assembly is complete.



CARING FOR YOUR ITEM

- Indoor use only.
- Not contract grade.
- Clean using a non-abrasive cloth and a mild cleaner.
- Never use harsh chemicals, as they could damage the finish or integrity of the item.



CONNECT WITH US!

Tag us [@modway_furniture](#) and [#modway](#) for a chance to be featured.

modway



Questions? Contact us!

609.256.9000

cs@modway.com