

ASSEMBLY INSTRUCTIONS

Dining Chair

EEl-7465 / V0.08.15.25

modway



Questions? Contact us!
609.256.9000
cs@modway.com

Welcome.

Let's get started.

Before you begin, here are some things to keep in mind:

Assembly will take most people **about 30 minutes**. Consider having a friend help you!

Only use hand tools to assemble this item. Do not use power tools. Do not tighten bolts or screws completely until all hardware is lined up and inserted into the holes.

Read through all of the instructions before starting. Make sure you have all parts and components before discarding any packing materials.

Do not over-tighten screws and bolts to avoid stripping the hardware or cracking the item.

Assemble your item on a flat, carpeted area, with plenty of space to work. This will prevent damage and scratches to your floors or the item while you're assembling the product.

Keep all components and packaging out of reach of children or animals to avoid risk of choking or suffocation.

Care instructions are listed in the last step of this manual.

WAIT!

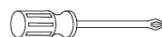
Missing parts or hardware? Need assistance?
Contact us before returning your item.
We're here to help!



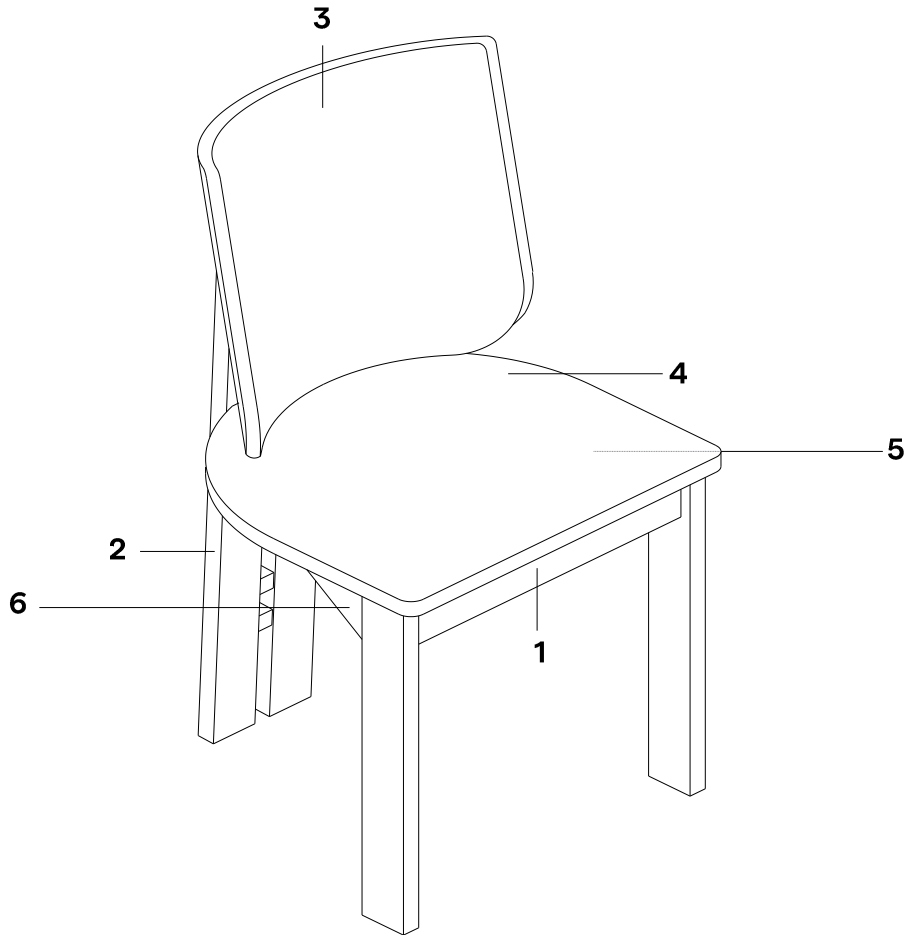
HARDWARE INCLUDED IN THE BOX:

A		Screw M6 x 60 mm (BLACK)	x2
B		Screw M6 x 50 mm	x8
C		Spring Washer 6mm (BLACK)	x2
D		Spring Washer 6mm	x8
E		Wood Dowel M8 x 35mm	x4
F		Screw M5 x 32mm	x6
G		Allen Key M4	x1
H		Felt Protector	x4
I		Wood Dowel M8 x 25mm	x2

WHAT YOU NEED:



Phillips Head Screwdriver



1	Front Leg	x1	2	Back Leg	x1	3	Back Rest	x1
4	Cushion Seat	x1	5	Side Rail - Right	x1	6	Side Rail - Left (Hole Marking)	x1

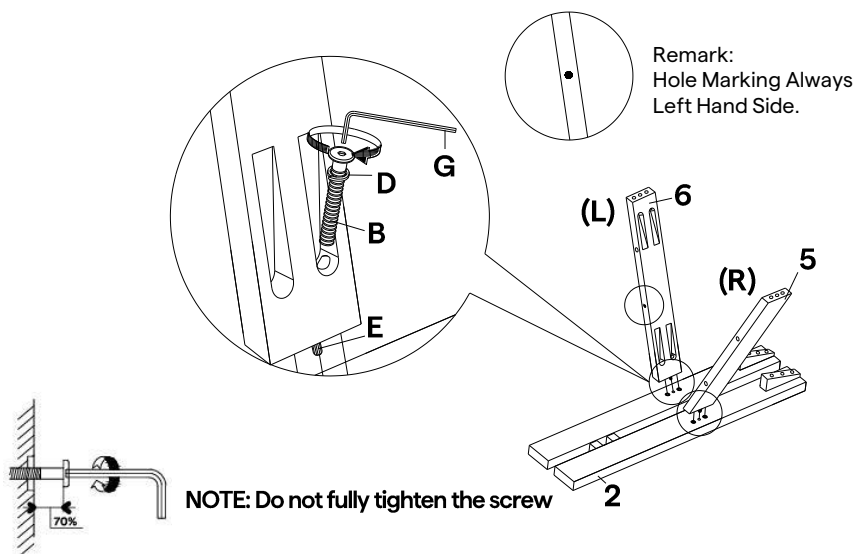
STEP 01

HARDWARE

- B** Screw M6 x 50mm x4
- D** Spring Washer 6mm x4
- E** Wood Dowel M8 x 35mm x2
- G** Allen Key M4 x1

COMPONENTS

- 2** Back Leg x1
- 5** Side Rail - Right x1
- 6** Side Rail - Left (Hole Marking) x1



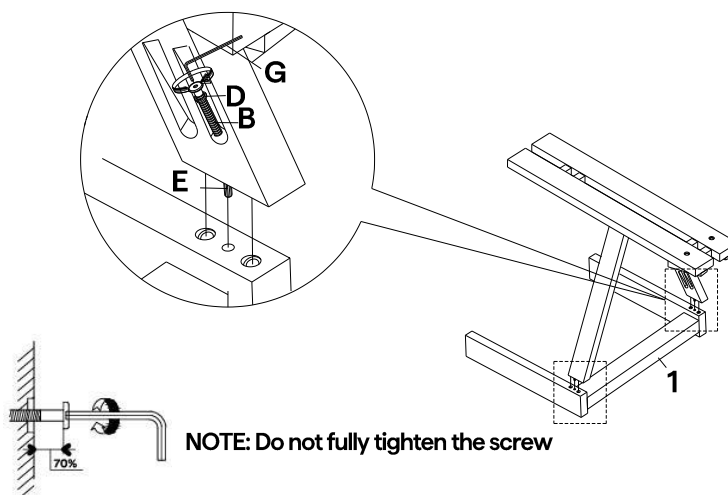
STEP 02

HARDWARE

- B** Screw M6 x 50mm x4
- D** Spring Washer 6mm x4
- E** Wood Dowel M8 x 35mm x2
- G** Allen Key M4 x1

COMPONENTS

- 1** Front Leg x1



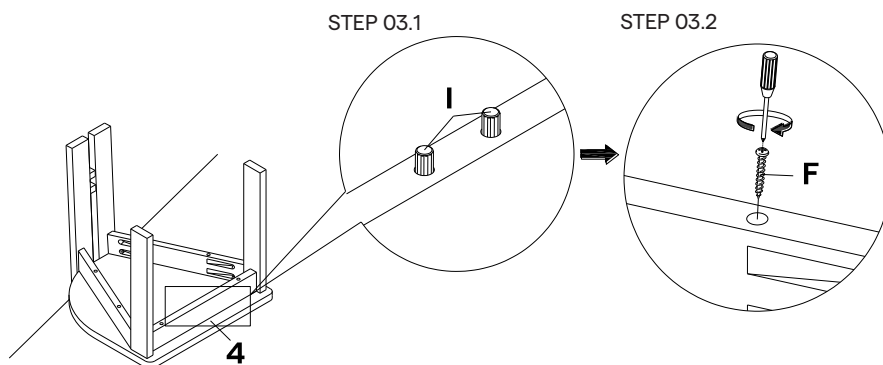
STEP 03

HARDWARE

- F** Screw M5 x 32mm x6
- I** Wood Dowel M8 x 25mm x2

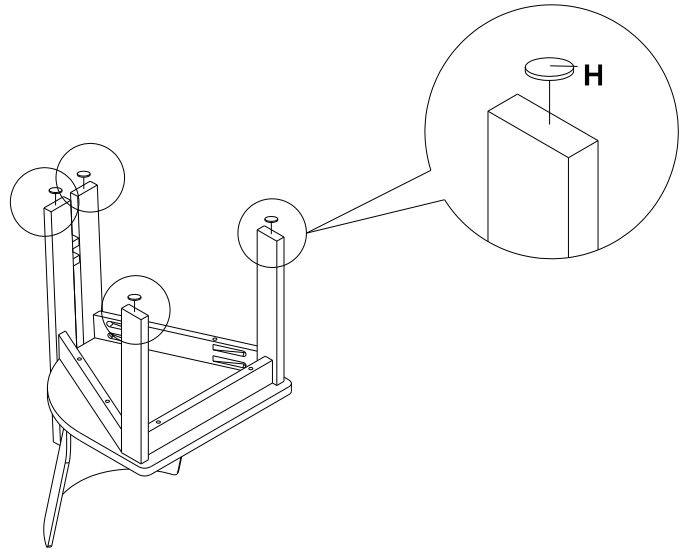
COMPONENTS

- 4** Cushion Seat x1



HARDWARE

H Felt Protector x4



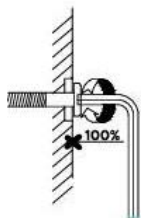
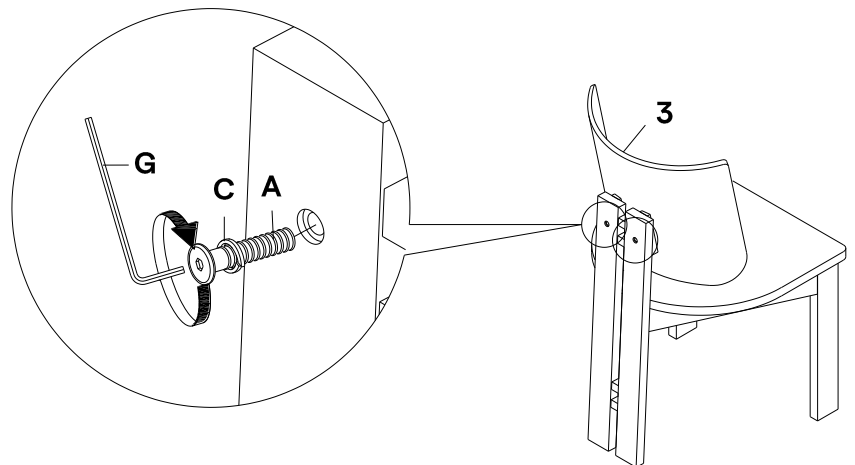
STEP 05

HARDWARE

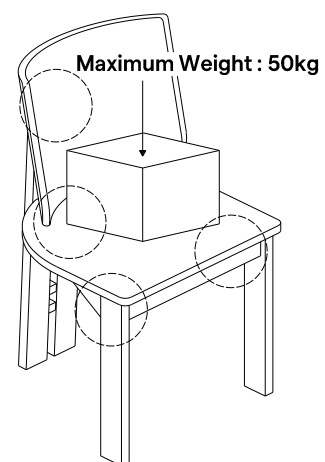
A Screw M6 x 60mm (BLACK) x2
C Spring Washer 6mm (BLACK) x2
G Allen Key M4 x1

COMPONENTS

3 Back Rest x1

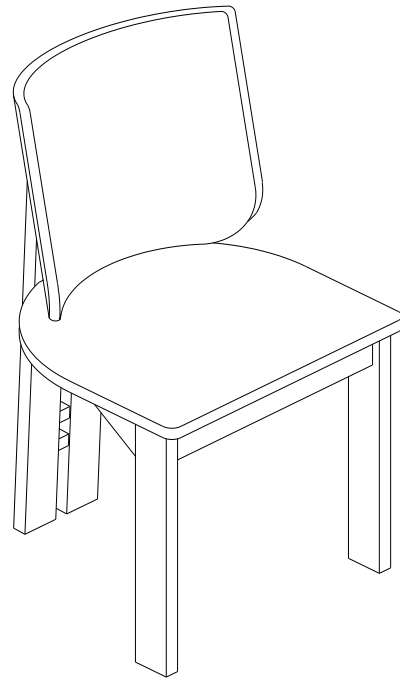


NOTE: To assist with leveling the chair, place a heavy object or have an adult sit on the Cushion Seat (4) to pressure the chair for leveling and fully tighten all screw with Allen Key(G) to secure all legs.



Great job!

Dining Chair assembly is complete.



CARING FOR YOUR ITEM

- Indoor use only.
- Not contract grade.
- Clean using a non-abrasive cloth and a mild cleaner.
- Never use harsh chemicals, as they could damage the finish or integrity of the item.



CONNECT WITH US!

Tag us **@modway_furniture** and **#modway** for a chance to be featured.

modway



Questions? Contact us!
609.256.9000
cs@modway.com