

ASSEMBLY INSTRUCTIONS

# Loveseat

EEl-7460 / V0.06.27.25

---

**modway**



Questions? Contact us!  
609.256.9000  
[cs@modway.com](mailto:cs@modway.com)

# Welcome.

## Let's get started.

Before you begin, here are some things to keep in mind:

Assembly will take most people **about 30 minutes**. Consider having a friend help you!

**Only use hand tools to assemble this item.** Do not use power tools. Do not tighten bolts or screws completely until all hardware is lined up and inserted into the holes.

**Read through all of the instructions before starting. Make sure you have all parts and components before discarding any packing materials.**

Do not over-tighten screws and bolts to avoid stripping the hardware or cracking the item.

Assemble your item on a flat, carpeted area, with plenty of space to work. This will prevent damage and scratches to your floors or the item while you're assembling the product.

Keep all components and packaging out of reach of children or animals to avoid risk of choking or suffocation.

Care instructions are listed in the last step




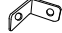


**WAIT!**

**Missing parts or hardware? Need assistance?**

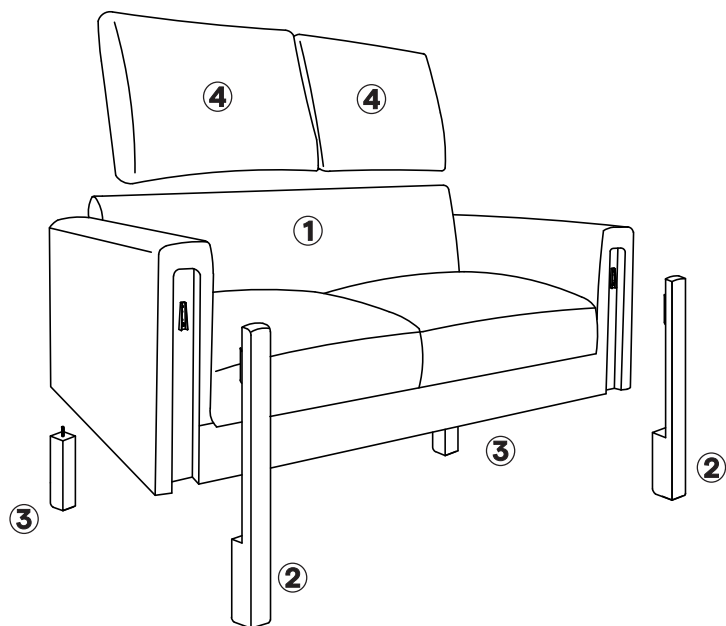
Contact us before returning your item. We're here to help!



## HARDWARE INCLUDED IN THE BOX:

A		Bolt M6x20mm	x4
B		Spring Washer M6	x4
C		Flat Washer	x4
D		L-Bracket	x2
E		Allen Key m4	x1
F		Plastic Washer 47mm	x2

## FURNITURE COMPONENTS

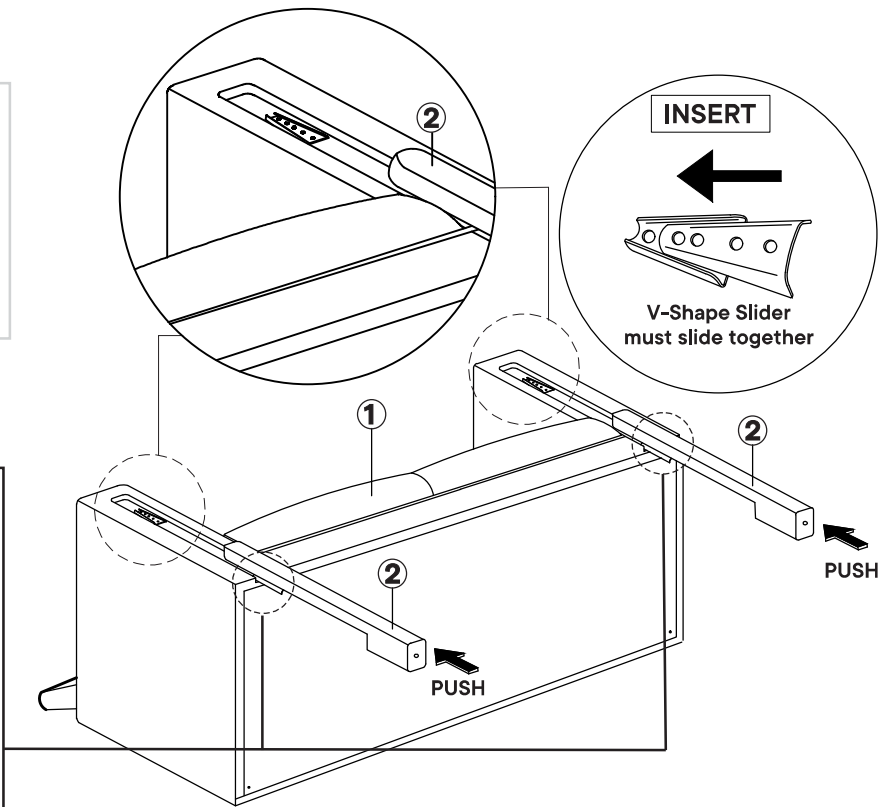
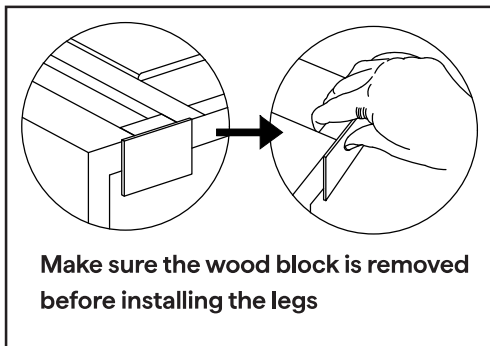


1	Sofa Seat	x1
2	Front Leg	x2
3	Back Leg	x2
4	Back Cushion	x2

## STEP 01

### COMPONENTS

- ① Sofa Seat x1
- ② Front Leg x2



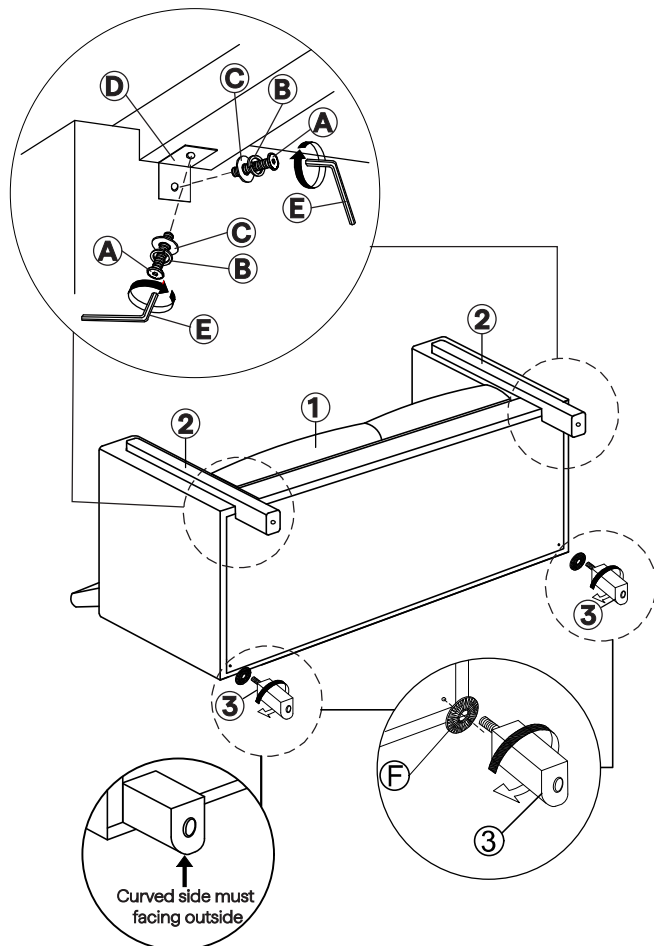
## STEP 02

### HARDWARE

- Ⓐ Bolt M6 x 20mm x4
- Ⓑ Spring Washer M6 x4
- Ⓒ Flat Washer M6 x4
- Ⓓ L-Bracket x2
- Ⓔ Allen Key x1
- Ⓕ Plastic Washer 47mm x2

### COMPONENTS

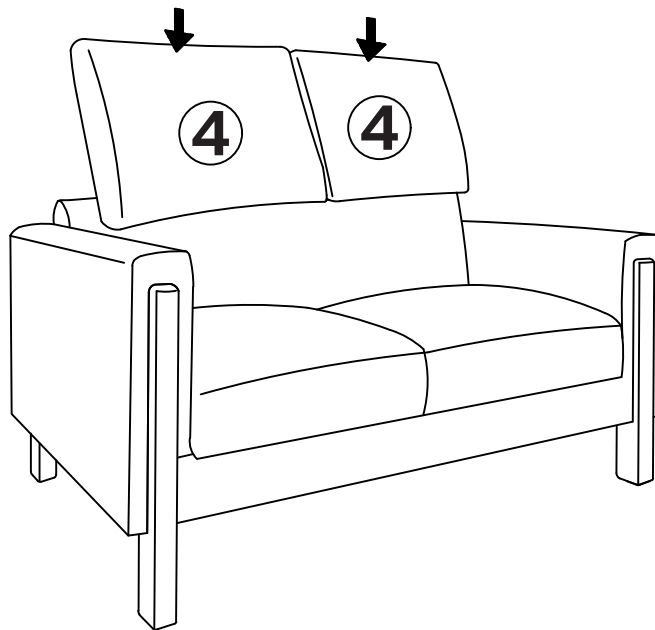
- ① Sofa Seat x1
- ② Front Leg x2
- ③ Back Leg x2



**STEP 03**

**COMPONENTS**

**4** Back Cushion x2



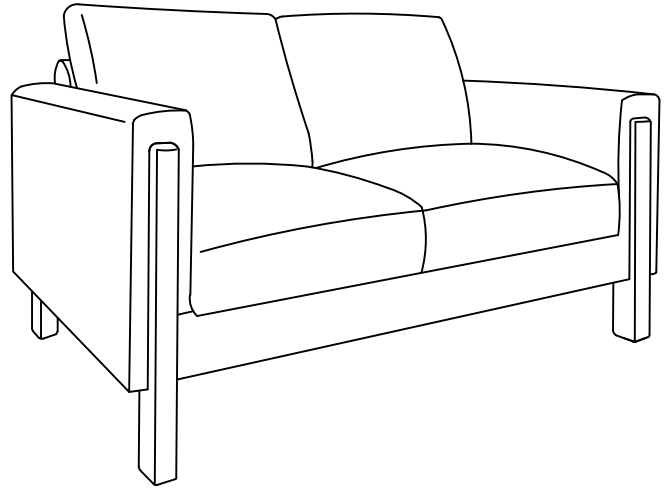
# Great job!

Your new sofa is complete.

---

## CARING FOR YOUR ITEM

- Indoor use only.
- Not contract grade.
- Clean using a non-abrasive cloth and a mild cleaner.
- Never use harsh chemicals, as they could damage the finish or integrity of the item.



## CONNECT WITH US!

Tag us [@modway\\_furniture](#) and [#modway](#) for a chance to be featured.

# modway



Questions? Contact us!

609.256.9000  
[cs@modway.com](mailto:cs@modway.com)